

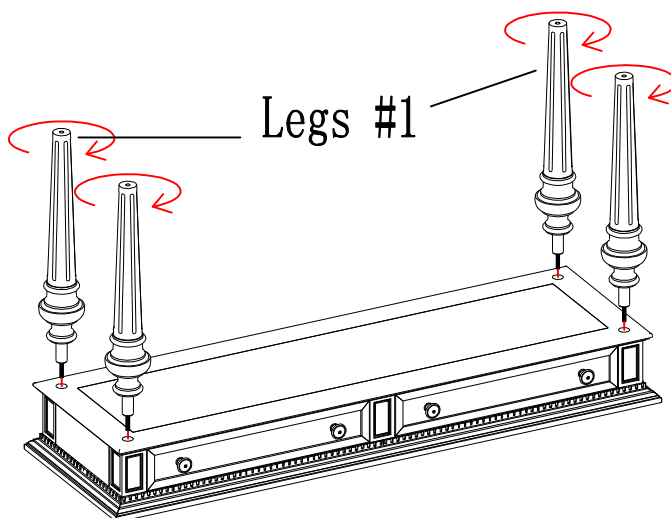
HEKMAN

A HOWARD MILLER COMPANY

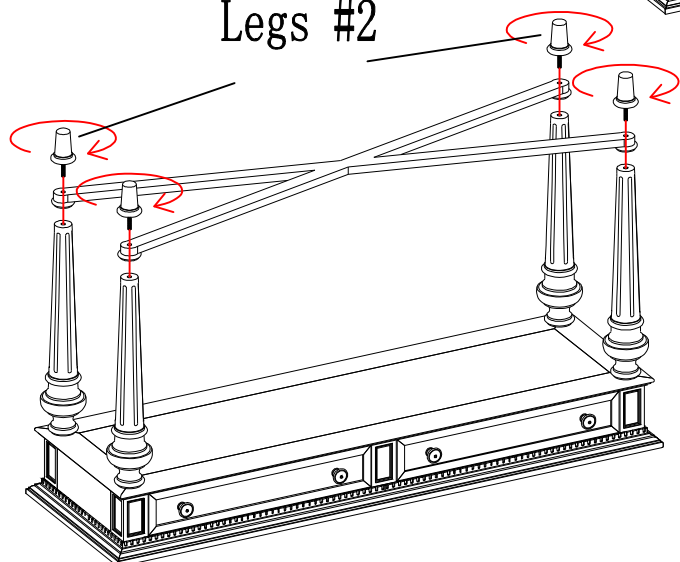
ASSEMBLY INSTRUCTIONS

23306- *Sofa Table*

Step 1



Legs #2



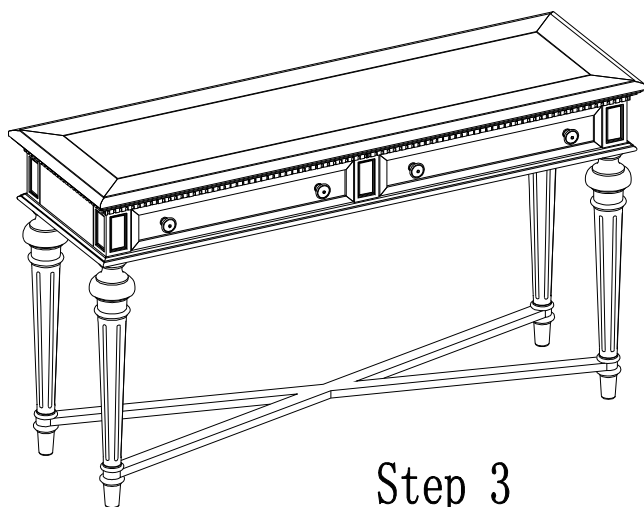
Step 2

Place the table upside down on soft and clean surface to prevent scratching

Step 1: Attach the legs (#1) to the table top.

Step 2: Assemble the stretcher to 4 legs (#1), assemble legs (#2) by turning clockwise.

Step 3: Set the table upright.



Step 3

MADE IN VIETNAM