

# Installation Instructions

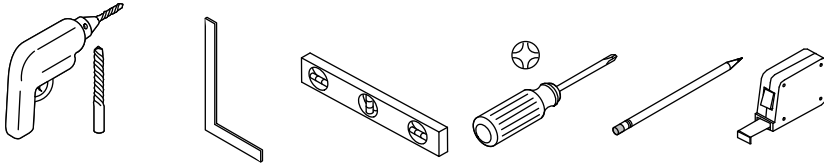
## Floor-Mount Bath Faucet

Français, page "Français-1"  
Español, página "Español-1"

1443292-2-A

THE BOLD LOOK  
OF **KOHLER**®

## Tools and Materials



Sealant Tape

**Plus:**

- 3/16" Masonry Bit (for concrete installation)
- Conventional Woodworking Tools and Materials
- Plumbing Tools and Materials

## Before You Begin

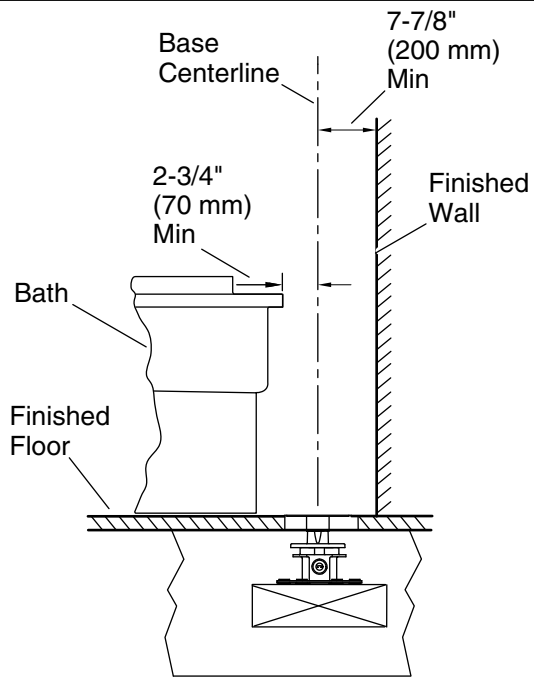
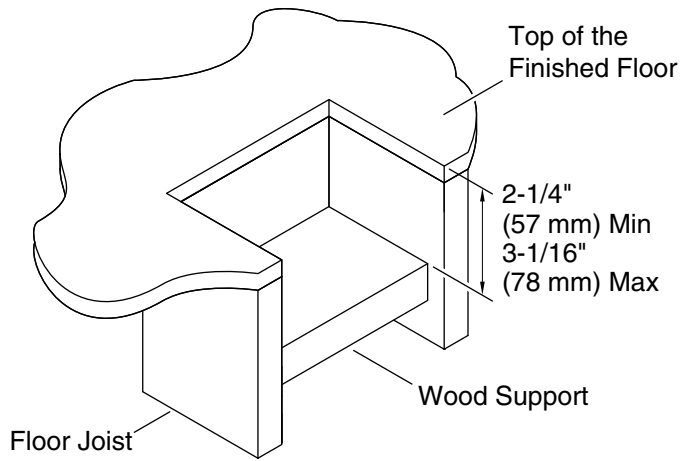


**CAUTION: Risk of personal injury.** Do not use the bath filler as a grab bar or support bar when entering or exiting the bath. The bath filler is not designed to support weight.

**NOTICE:** To avoid damage to the O-rings on the bottom of the faucet, keep the faucet vertical and use care when installing the faucet.

**NOTE:** A minimum operating pressure of 45 psi (310 kPa) is required for proper operation. If a pressure of less than 45 psi (310 kPa) is present, contact a plumber or choose another faucet.

- For use with automatic compensating valves rated at 1.6 gal/min (6.1 l/min) or less.
- Follow all local plumbing and building codes.
- Turn OFF the water supply.
- A drill bit is provided for installation to wood support. Use an appropriate drill bit for other materials.
- The dimensions given assume the spout and bath are mounted on the same surface. Adjust the dimensions accordingly if the spout and bath are mounted on different surfaces.
- If this product is installed with an overflowing bath, the outer rim of the bath should slightly overlap the 2x4 framing.
- Installer supplied copper tubing must be 5/8"OD (1/2" Nominal).
- Carefully review this document and all appropriate roughing-in information. Design the bath enclosure accordingly.



## 1. Prepare the Site

**IMPORTANT!** 2x6 lumber is NOT adequate for this application.

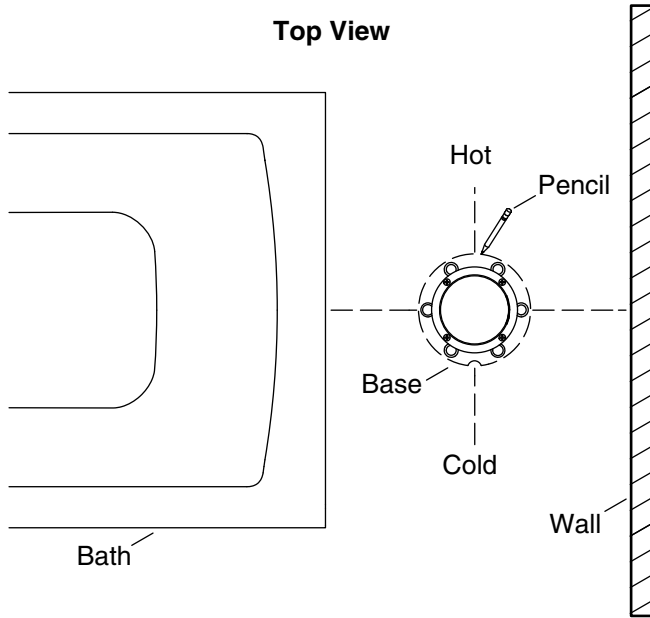
### **Prepare the Site (cont.)**

**NOTICE:** Adequate floor support is required. The wood support must be a minimum of 2" (51 mm) thick by 6" (152 mm) wide. 2x6 lumber is NOT adequate for this application.

**NOTE:** Concrete can be used as the floor support.

- Plan out the bath filler placement based on the dimensions above.
- Cut a hole in the subfloor that is large enough to install the wood support between two floor joists.
- Secure the wood support between 2-1/4" (57 mm) to 3-1/16" (78 mm) below the top of the finished floor.

## Top View

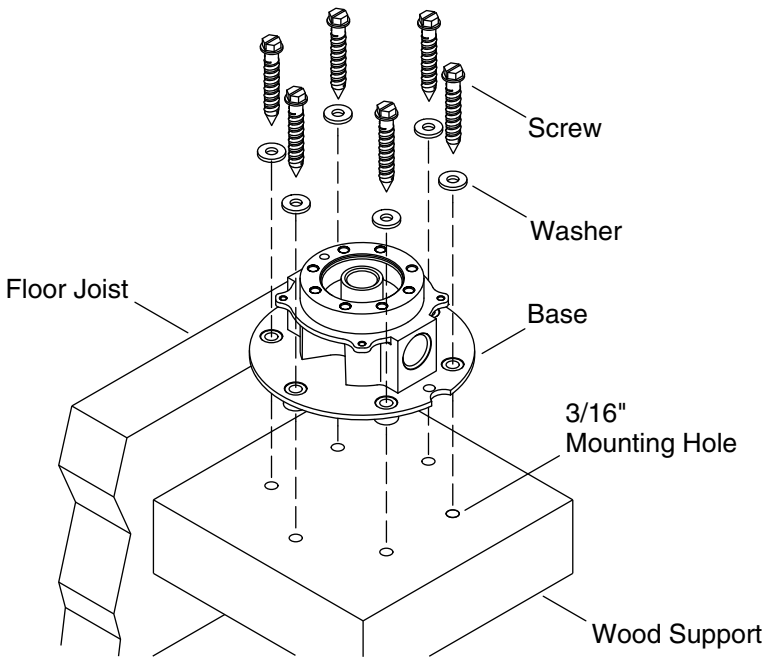


## 2. Spout Orientation

**NOTE:** Verify correct spout orientation before securing the base to the wooden support.

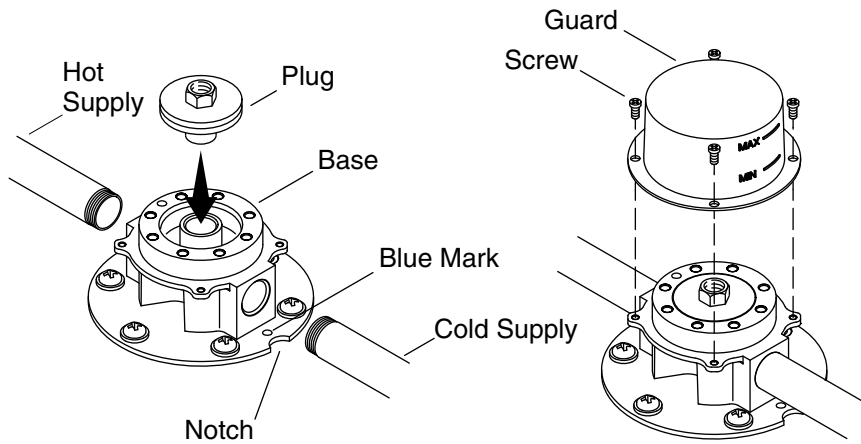
**NOTE:** The base has a blue mark and a notch on the cold supply side.

- Orient the base with the cold supply side notch placed in the direction shown.
- If possible, dry fit the faucet to the base using the screws and washers. Orient the spout to the inside of the bath.
- If your faucet is not available at this time, make sure the base is positioned so water from the spout will properly flow into the bath.
- Mark the mounting hole locations on the wooden support.
- Mark the orientation of the base, and where the notch is positioned on the wooden support.



### 3. Install the Base

- If attached, remove the faucet from the base.
- Use a 3/16" drill bit (provided) to drill 1-1/2" (38 mm) deep holes at the marked locations.
- If using concrete as the floor support, use a 3/16" masonry bit (not provided) to drill 1-1/2" (38 mm) deep holes at the marked locations.
- Realign the base to the position you marked. Make sure the cold supply notch is in the correct orientation.
- Secure the base to the support with the screws and washers (provided).
- Verify the base is level, and tighten the screws.

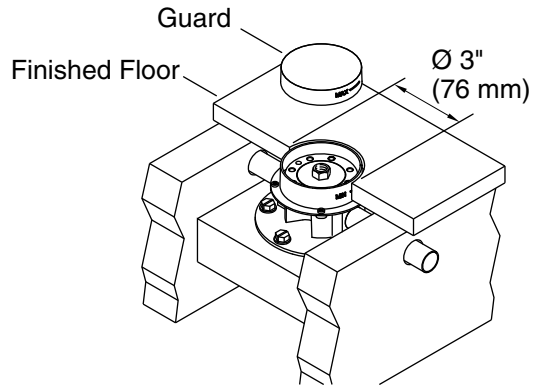
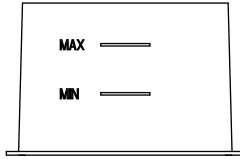


#### 4. Connect the Supplies

**NOTE:** The base has a blue mark and a notch on the cold supply side.

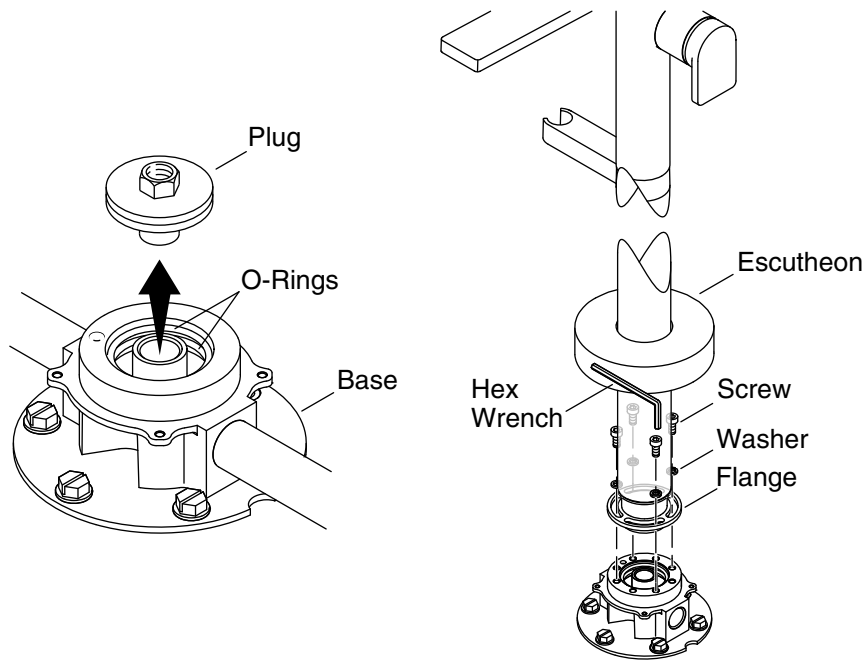
- Apply sealant tape on the ½" NPT hot and cold supply pipes, and thread into the base.
- Insert the plug into the base.
- Turn ON the water supply and check for leaks.
- Turn OFF the water supply.
- Secure the guard onto the base with the screws (provided).

*Fit the finished floor  
between the  
Min and Max lines.*



## 5. Install the Finished Floor

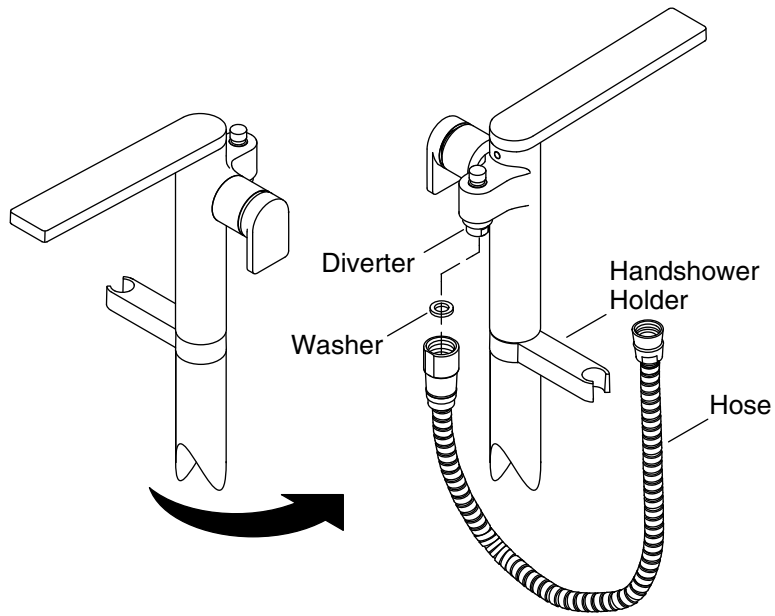
- Finish the floor leaving a 3" (76 mm) diameter hole for the guard.
- Cut the guard so it is flush with the finished flooring.



## 6. Install the Faucet

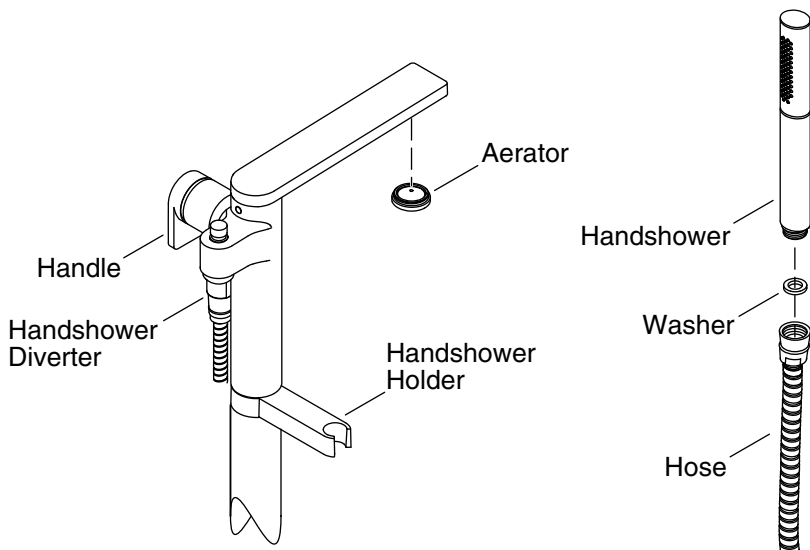
**NOTICE:** Keep the faucet vertical during installation to avoid damaging the faucet O-rings.

- Make sure the water is turned OFF.
- Carefully relieve the water pressure.
- Remove the plug from the base.
- Remove the rubber protector (not shown) from the faucet.
- Position the faucet on the base, and insert the screws and washers (provided) through the flange.
- Tighten the screws using the hex wrench (provided).
- Slide the escutcheon down onto the floor to cover the base.



## 7. Install the Handshower

- Install the handshower hose as shown.



## 8. Installation Checkout

- Ensure the faucet handle is in the OFF position.
- Remove the aerator from the spout.
- Turn on the water supply and check for leaks.
- Point the hose into the bath, and turn the faucet handle to the ON position.
- Pull the diverter out to send water through the hose to remove debris.
- Turn OFF the faucet to reset the diverter.
- Turn ON the faucet and run hot and cold water through the spout to remove debris.
- Check for leaks.
- Turn OFF the faucet.
- Reinstall the aerator, and install the handshower to the hose.
- Position the handshower into the handshower holder.