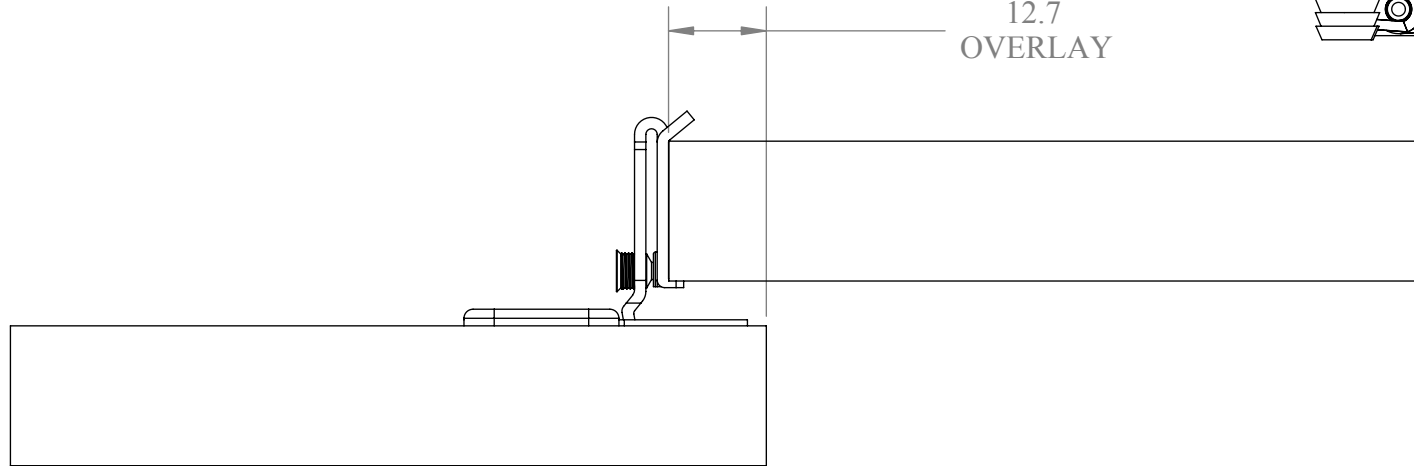


12.7
OVERLAY



HARDWARE RESOURCES
4319 MARLENA ST, BOSSIER CITY, LA71111

TOLERANCES

OVER ALL LENGTH $\pm 0.1\text{MM}$
ANGLES $\pm 0^{\circ} 30'$

PART NAME:

ITEM NO: 3386-000N

REV:

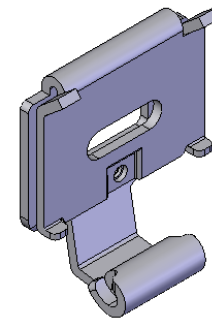
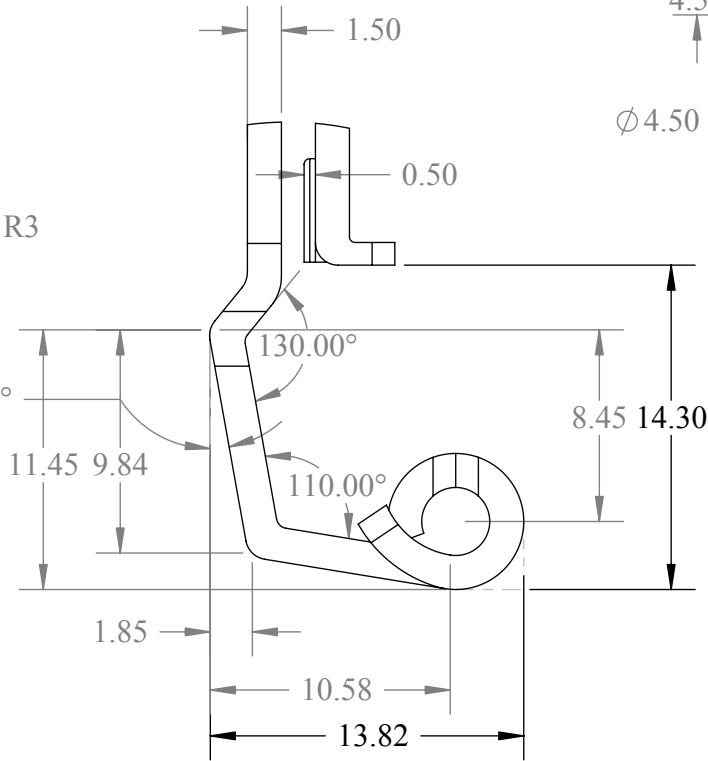
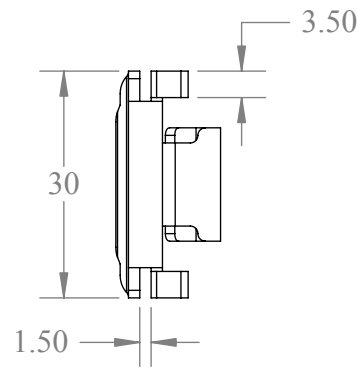
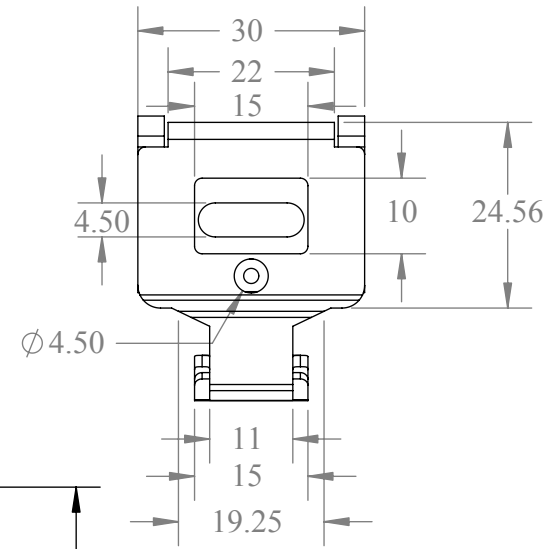
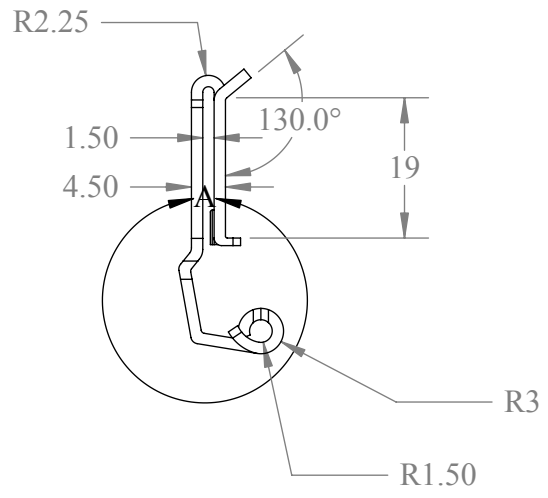
MATERIAL:

DATE: 9/21/2007

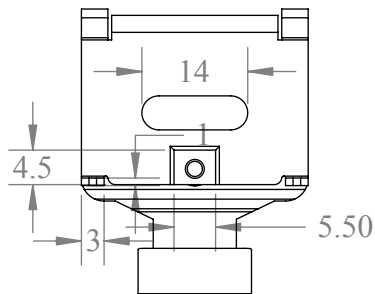
SHEET: 1 / 4

BY: UBN

PLATING:



DETAIL A
SCALE 3 : 1



HARDWARE RESOURCES
4319 MARLENA ST, BOSSIER CITY, LA71111

TOLERANCES

OVER ALL LENGTH ±0.1MM
ANGLES ±0° 30'

PART NAME:

ITEM NO:

REV:

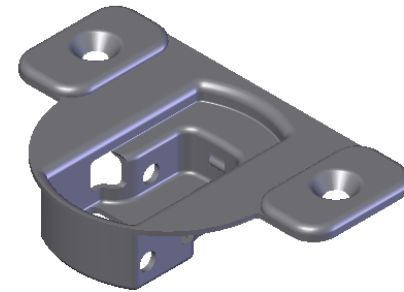
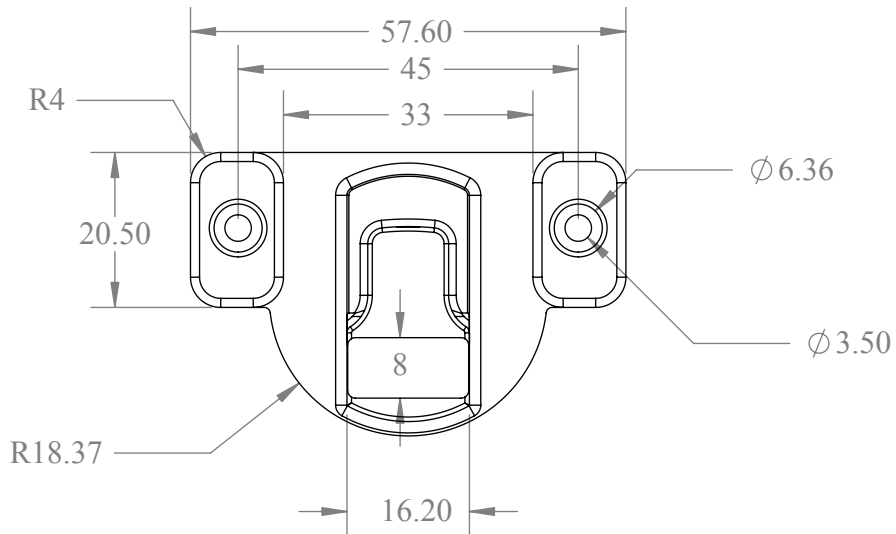
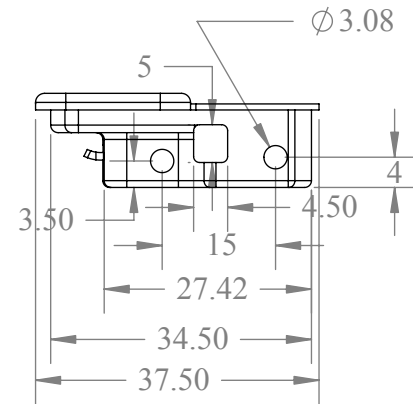
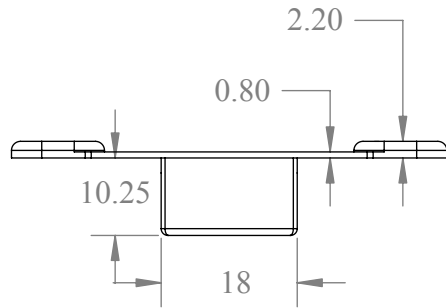
MATERIAL:

DATE:

SHEET:

BY: UBN

PLATING:



HARDWARE RESOURCES
4319 MARLENA ST, BOSSIER CITY, LA71111

TOLERANCES

OVER ALL LENGTH $\pm 0.1\text{MM}$
ANGLES $\pm 0^\circ 30'$

PART NAME:

ITEM NO:

REV:

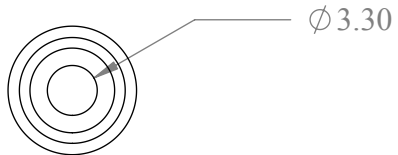
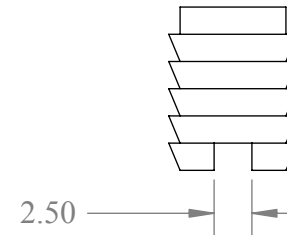
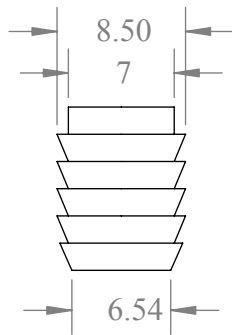
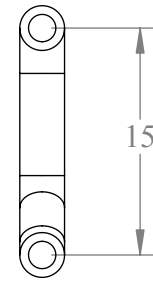
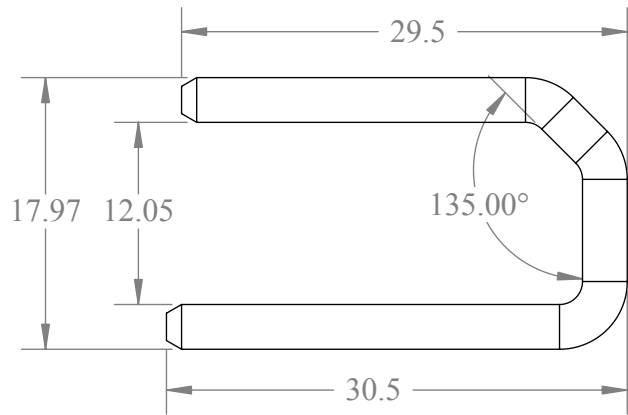
MATERIAL:

DATE:

SHEET:

BY: UBN

PLATING:



Hardware
HR
 Resources

HARDWARE RESOURCES
 4319 MARLENA ST, BOSSIER CITY, LA71111

TOLERANCES

OVER ALL LENGTH $\pm 0.1\text{MM}$
 ANGLES $\pm 0^\circ 30'$

PART NAME:

ITEM NO:

REV:

MATERIAL:

DATE:

SHEET:

BY: UBN

PLATING: