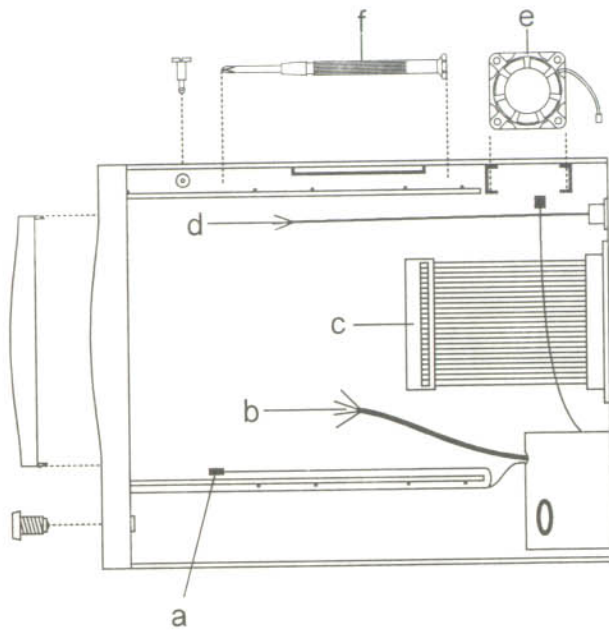


External Storage Box

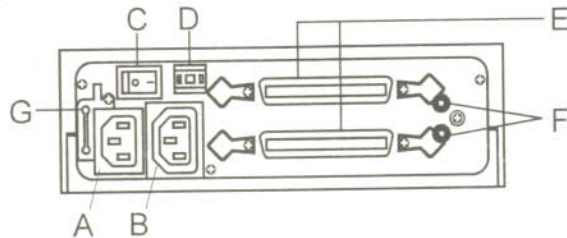
SNT-2301/2501 IDE/SCSI

Installation Guide



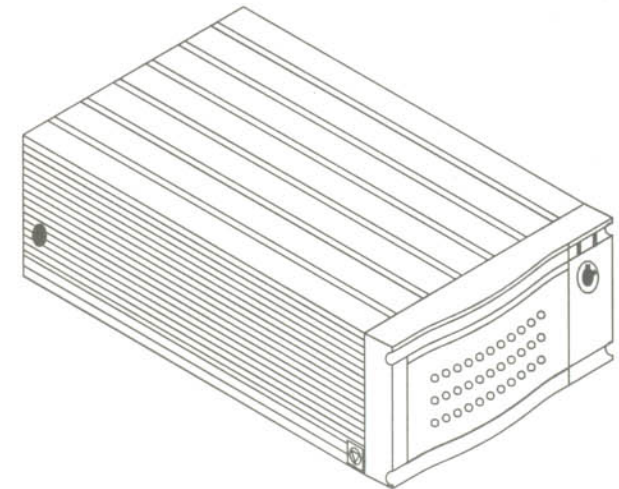
Bird's-eye View

- a) Working indicator
- b) ID Switch-4pin for SCSI I/II, 5Pin for SCSI-III
- c) 40 pin cable(IDE), 50 pin cable(SCSI I/II),68 pin cable (SCSI III)
- d) Audio output
- e) Cooling fan(ball bearing) /5 * 5 cm
- f) Screwdriver



Back View

- a) Power output
- b) Power input
- c) Power switch
- d) ID Switch: a) 0~7 for SCSI I/II
b) 0~15 for SCSI III
- e) Connector - IDE/SCSI I/II/III
- f) Audio output(for CD-ROM only)



1. Press the hook-button on both sides to open the box.
2. Use the enclosed screwdriver to prop up the cover.
3. Install you devices(HDD, CD-ROM, MO....etc).
 - a) For CD-ROM---Install the CD-ROM and join the connector, power & RCA jack then fasten the screws(enclosed) on both sides.
 - B) For HDD---Install the HDD and join the connector & power then fasten the screws(enclosed) on both sides. (*If you install HDD on 2501 series, optional bracket should be used.).
 - c) For other devices, read the instructions on your device manual.

4. Join the connectors with the following descriptions --

ID Switch(SCSI I/II)	Red	Blue	Yellow	Black
ID SW	1	2	4	COM

HDD LED Out	Yellow	White
Yellow-LED	+	-

ID Switch(Wide SCSI)	Red	Blue	Yellow	Brown	Black
ID SW	1	2	4	8	COM

Audio	Red	White	Black
RCA Jack	Right	Len	COM

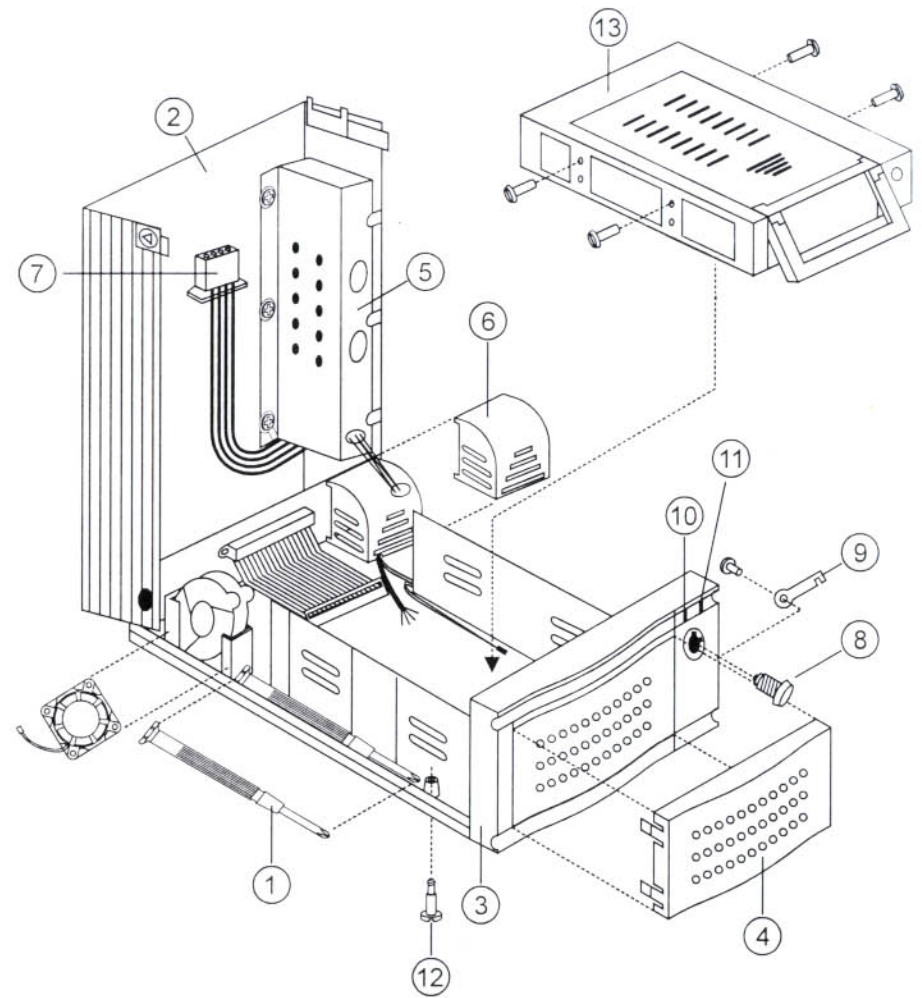
(For CD-ROM)

Power	Red	Black	Black	Yellow
DC power	+5	COM	COM	+12

5. If you use IDE/AT-Bus interface, you should use the enclosed drive disks to setup your system
6. Close the cover

Notes:

1. To keep your key safe, use the hanger(at the rear side)
2. There is also a second screw-lock at the left side of the bottom. The box is completely locked when you fasten both the screw-lock and your front lock
To keep your data safe, it is strongly suggested that you fasten both locks to prevent vibration and shock during transportation. After service Email: snt@mail.apalc.com.tw.



Parts Description -

- | | | |
|--|----------------------|---------------------|
| 1)Chassis | 2)Cover | 3)Front panel frame |
| 4)Front panel | 5)Power shield plate | 6)Wires cover box |
| 7)5V/12V Power | 8)Key lock | 9)Lock pin |
| 10)HDD working LED | 11)Power LED | 12)Screw lock |
| 13)Device you want to install(CD-ROM, Mobile Rack, Floppy Disk, MO...etc) | | |
- *If CD-ROM, Mobile rack is used take off the front panel and use optional aperture front panel.