

Thank you for purchasing this product. Please take time to read and follow the instructions below. Check that you have all parts and hardware before assembly.

Merci d'avoir acheté ce produit de qualité. Veuillez lire et suivre les instructions ci-dessous. Vérifiez avant le montage que vous avez toutes les pièces et fixations.

CAUTION : (1) DO NOT FULLY-TIGHTEN THE NUTS OR BOLTS INITIALLY UNTIL ALL THE NUTS AND BOLTS ARE IN PLACE. (TO AVOID CAUSING DAMAGES TO THE THREAD, DO NOT OVER-TIGHTEN THE NUTS OR BOLTS.)





(2) KEEP ALL HARDWARE PARTS OUT OF REACH OF CHILDREN.



It is recommended to install protective pads under all legs and supports to avoid damage or scratches when placing furniture on a wood floor or other hard surface, and to limit indentation and prevent discoloration if placing on carpet.

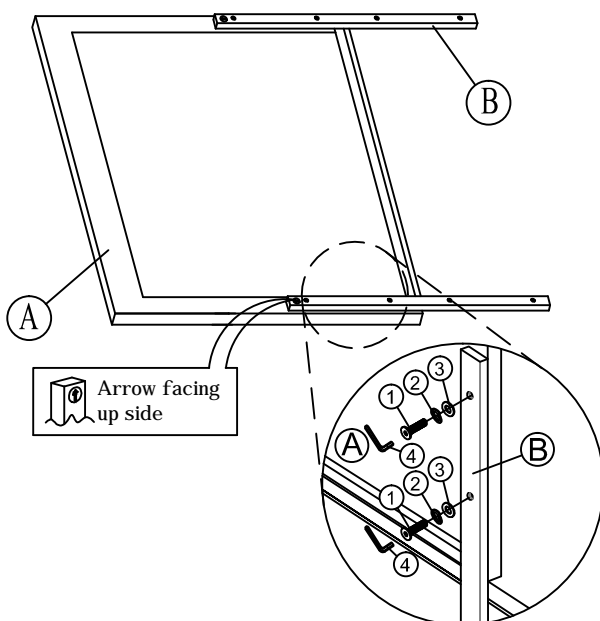


Il est recommandé de placer des coussins protecteurs sous tous les pieds et toutes les bases des meubles pour éviter d'endommager ou d'égratigner les planchers en bois ou autres surfaces dures, et pour limiter l'empreinte et empêcher la décoloration quand les meubles reposent sur la moquette.

Hardware List		
NO.	Descriptions	Qty.
1	Screw-M6x40MM Jcbc Screw Blk 	8
2	Washer - Spring Washer M6 	8
3	Washer - Flat Washer 1/4" (BLK) 	8
4	M4 L Key 	1

Component List		
NO.	Descriptions	Qty.
A	MIRROR / MIROIR	1
B	MIRROR SUPPORT RAIL / MONTANT ARRIERE	2
C	DRESSER / BUREAU	1

STEP 1 / ETAPE 1 :



STEP 1 / ETAPE 1 :

Attach the Mirror Support Rail (B) to the back of Mirror (A). Secured the Mirror Support Rail (B) by using Flat washer (3), Spring washer (2) and JCBC bolt (1) using Allen key provided.

STEP 2 / ETAPE 2 :

Attach the Mirror Support Rail (B) and Mirror (A) to the back of Dresser (C). Secured the Mirror Support Rail (B) by using Flat washer (3), Spring washer (2) and JCBC bolt (1) using Allen key provided.

STEP 2 / ETAPE 2 :

