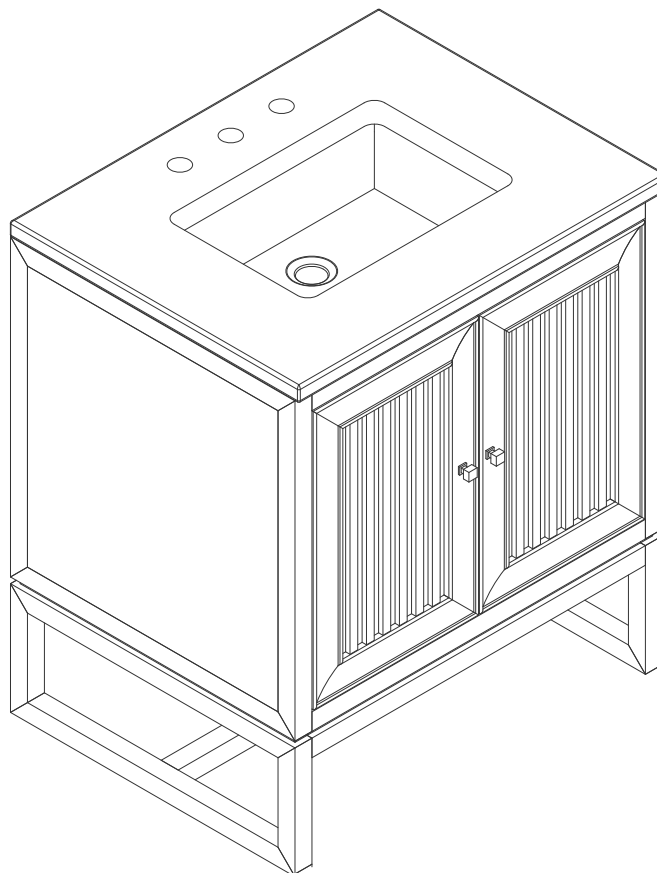


30" ATHENS VANITY

JAMES MARTIN
VANITIES

E645-V30-GW



Features and Materials

Solids: Yellow Poplar

Panels: MDF

Installation Type: Floor Standing with Wood Base or Wall Mounted

Number of Basins: One, with Optional 3cm Top

Vanity Top Included: NO, Optional 3cm Tops Available with Sinks

Number of Doors: Two

Number of Drawers: Two

USB/Power Component: Yes(ETL5011080)

Cord Length: 6'6"

Assembly Type: Installation of Optional 3cm Top

Assembly Type: Remove Base to Wall Hang (hardware included)

Door Panel: Reversible. One Side Finished in Glossy White, One Side Natural

Cork (Pattern: Patchwork)

Drawer Box Material and Construction: 12mm Plywood/English Dovetail Joinery

Hardware Material and Finish: Zinc Alloy in Polished Chrome

Fits Drain Hole Size: 1-3/4"

Overflow: Yes, Front Facing

Full Extension, Soft Close Glides

European Soft Close Hinges

Aluminum Laminate Drawer Liners

Adjustable Levelers

Dimension

Width: 29-7/8"

Depth: 23-1/4"

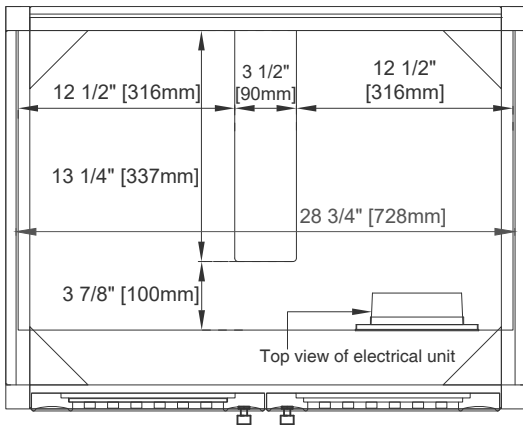
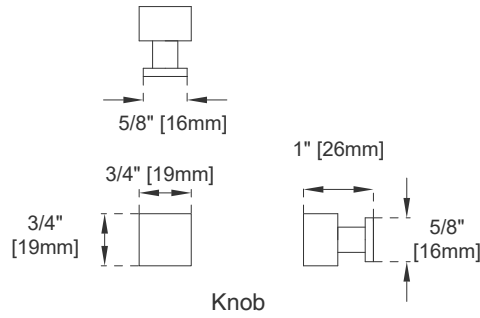
Height: 33-1/2"

Rough-In Height: 21-1/2"

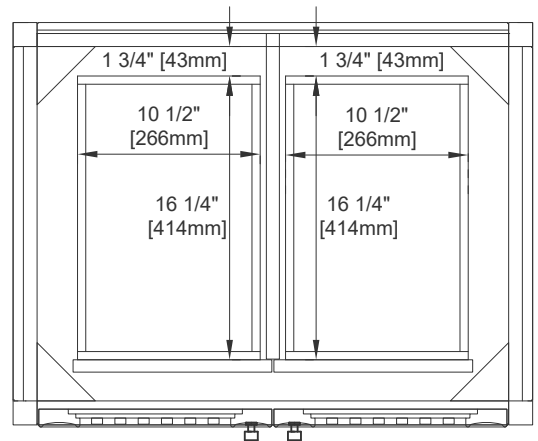
30" ATHENS VANITY

JAMES MARTIN VANITIES

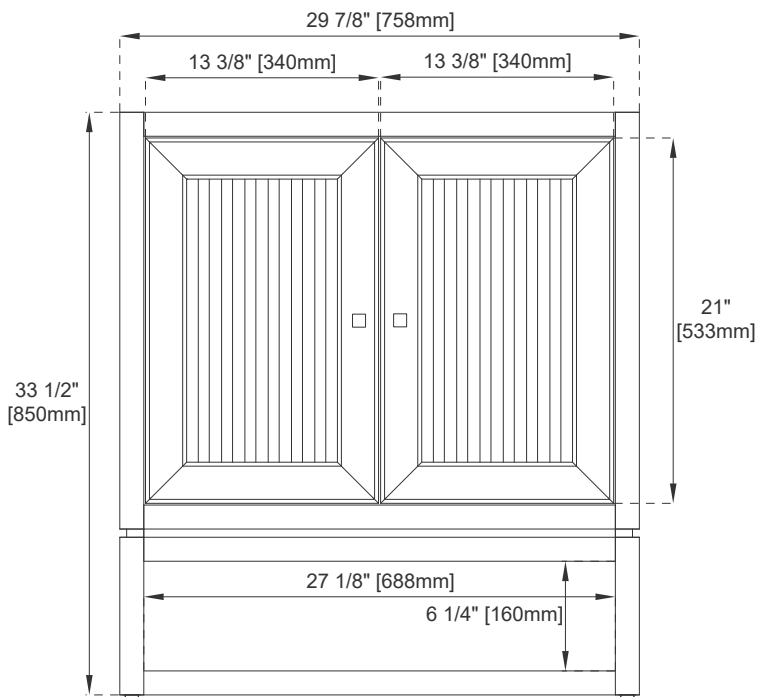
E645-V30-GW



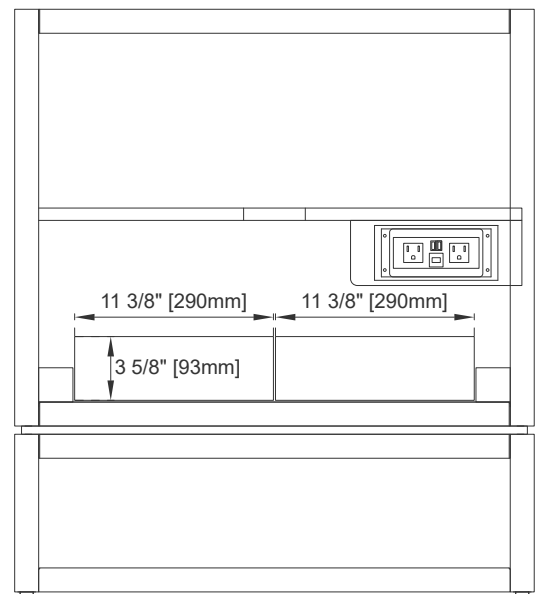
Top View 1



Top View 2



Front View 1



Front View 2

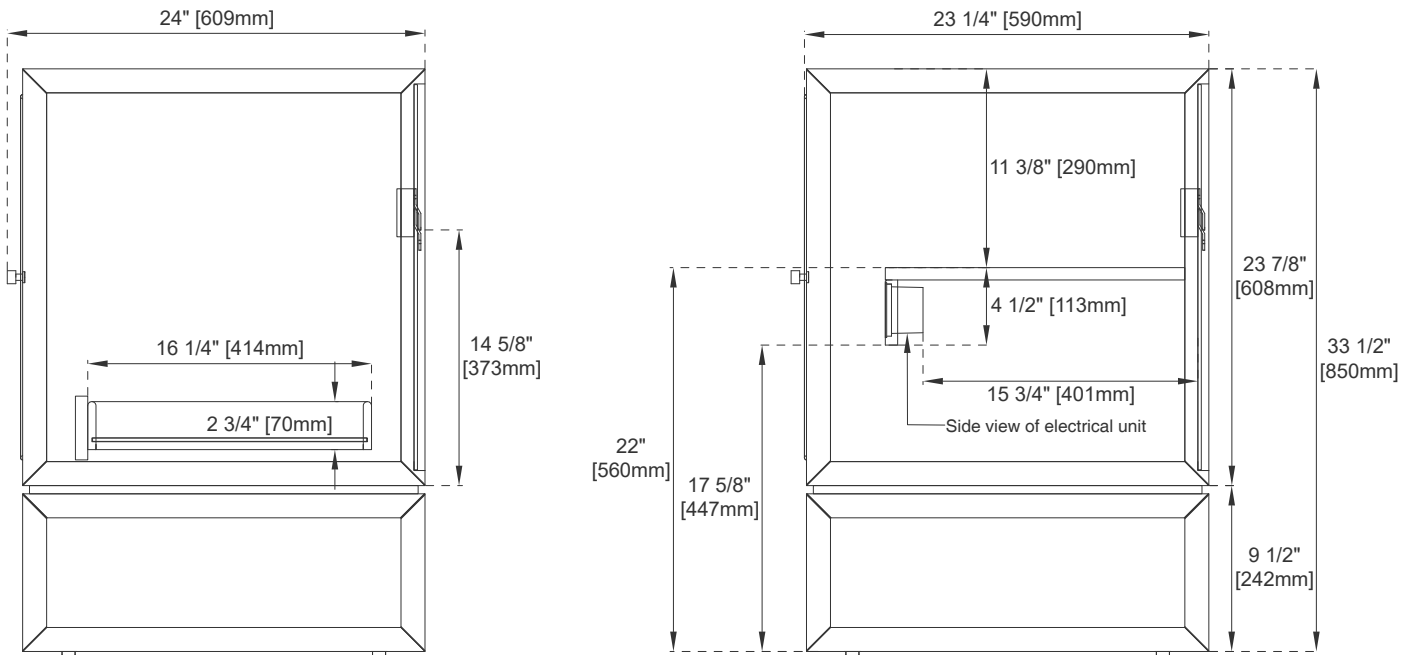
All dimensions are nominal
Diagrams are of cabinet only –James Martin Optional Countertops and sinks are not shown

Visit website for warranty and installation information
www.jamesmartinvanities.com

30" ATHENS VANITY

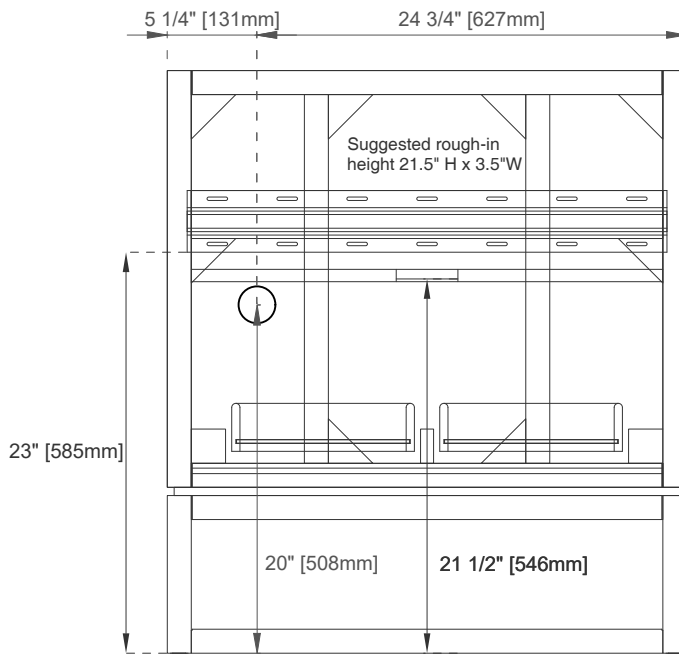
JAMES MARTIN VANITIES

E645-V30-GW



Side View 2

Side View 1



Back View

All dimensions are nominal
Diagrams are of cabinet only –James Martin Optional Countertops and sinks are not shown

Visit website for warranty and installation information
www.jamesmartinvanities.com