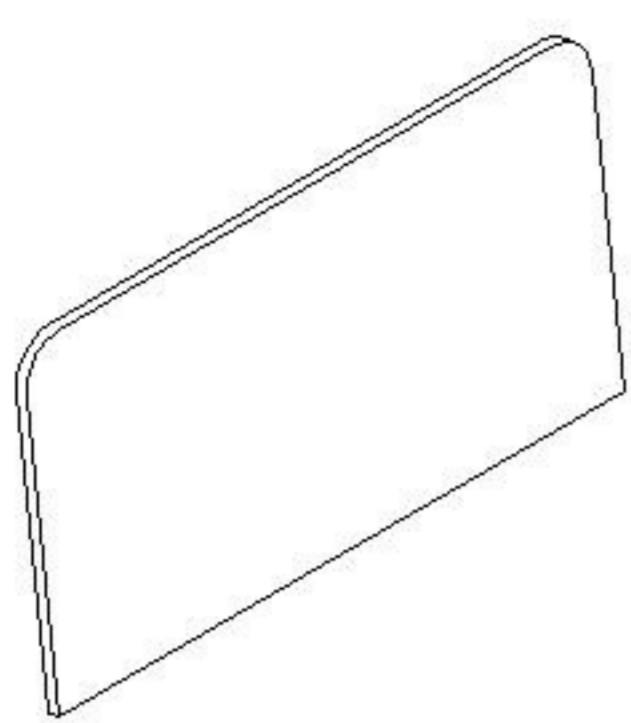
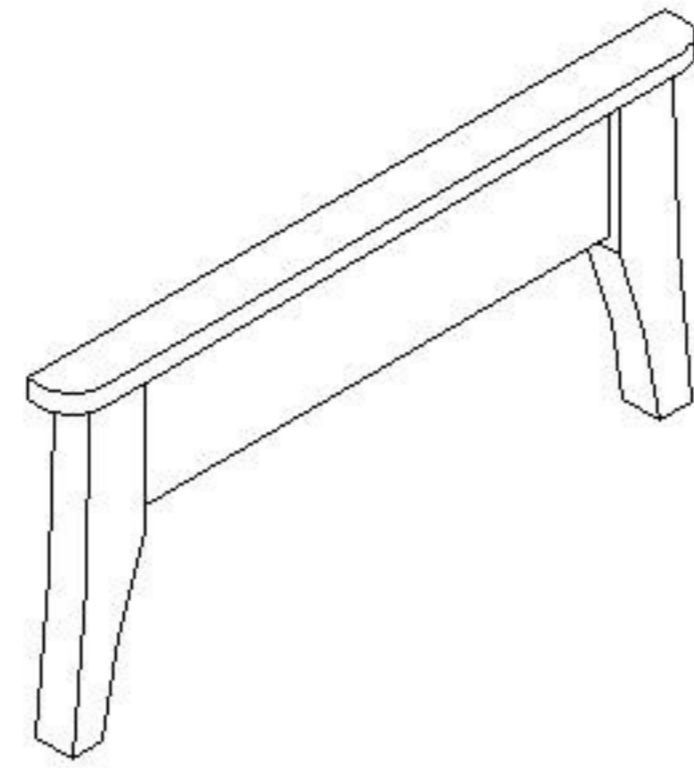
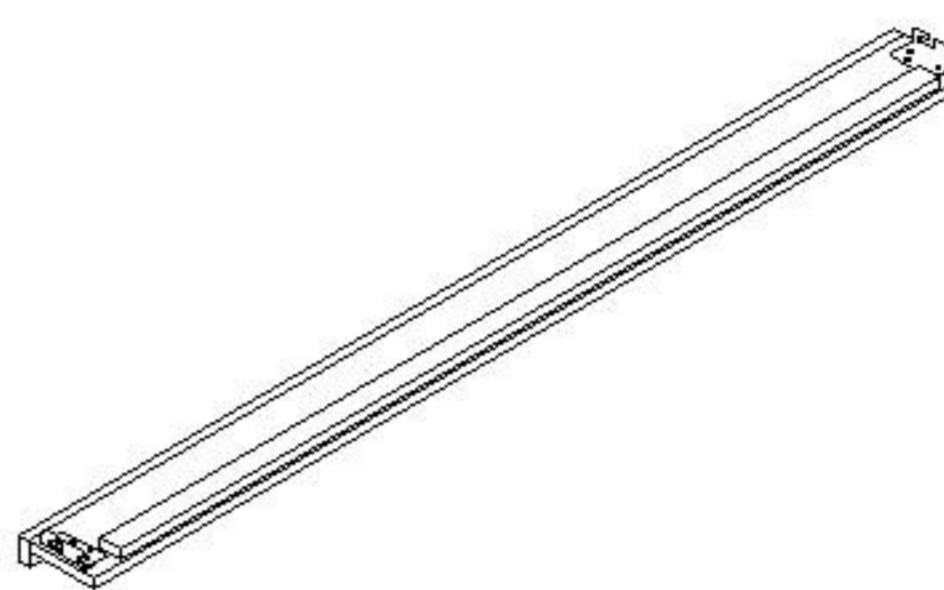
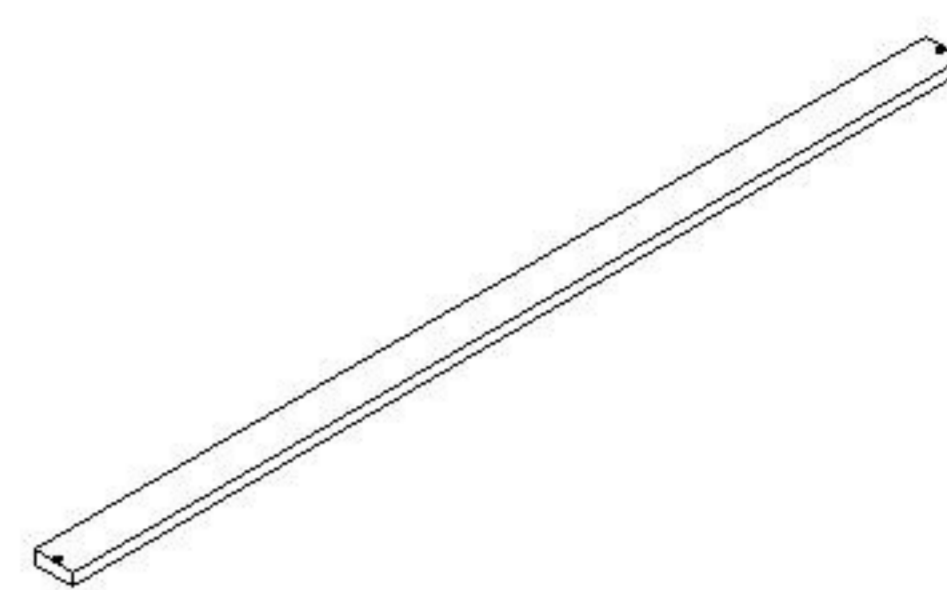
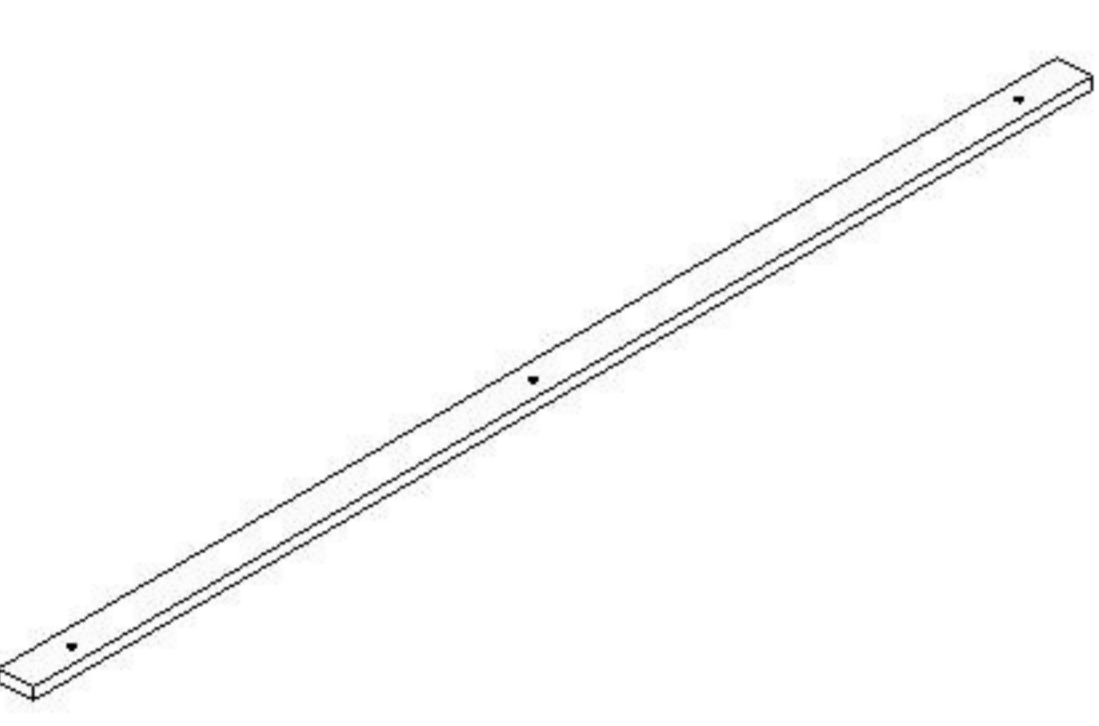

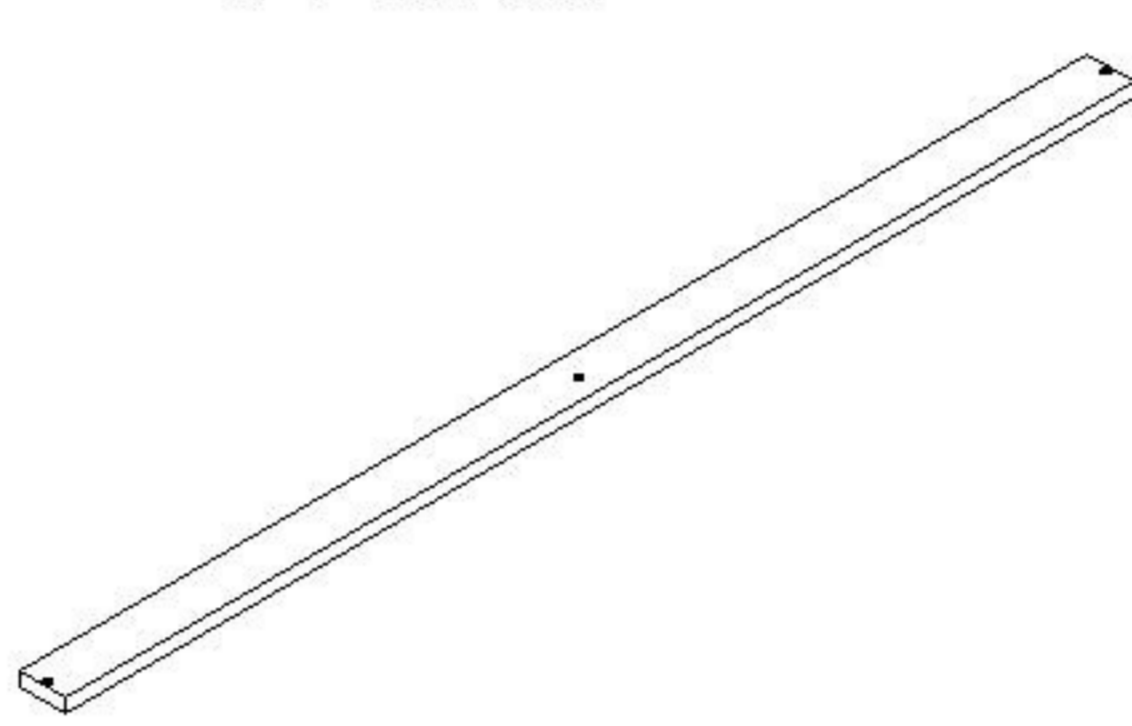
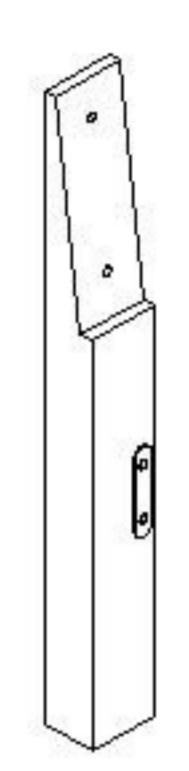
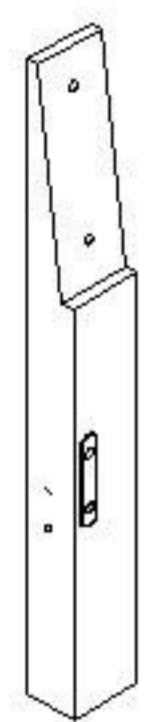
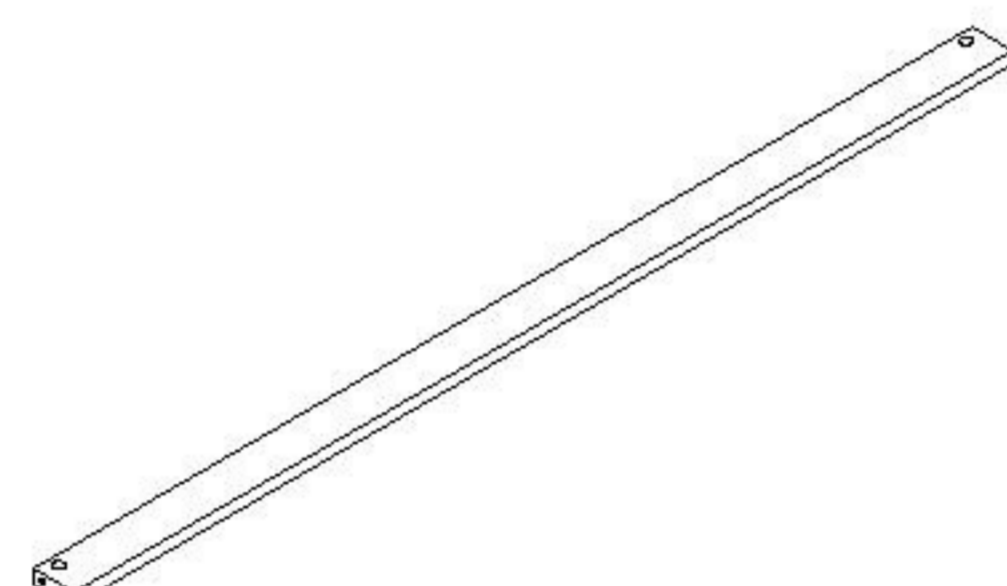
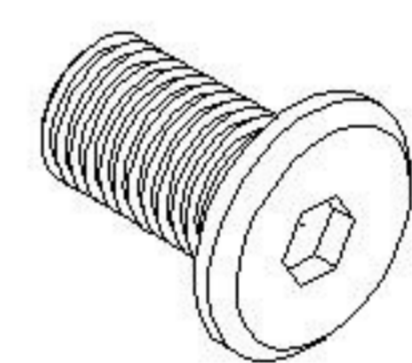
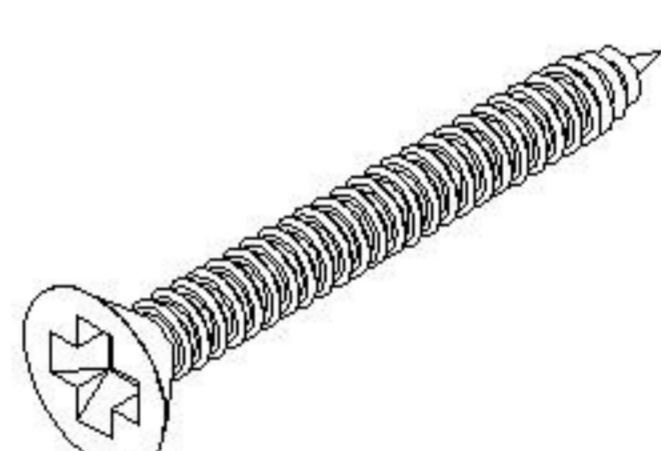
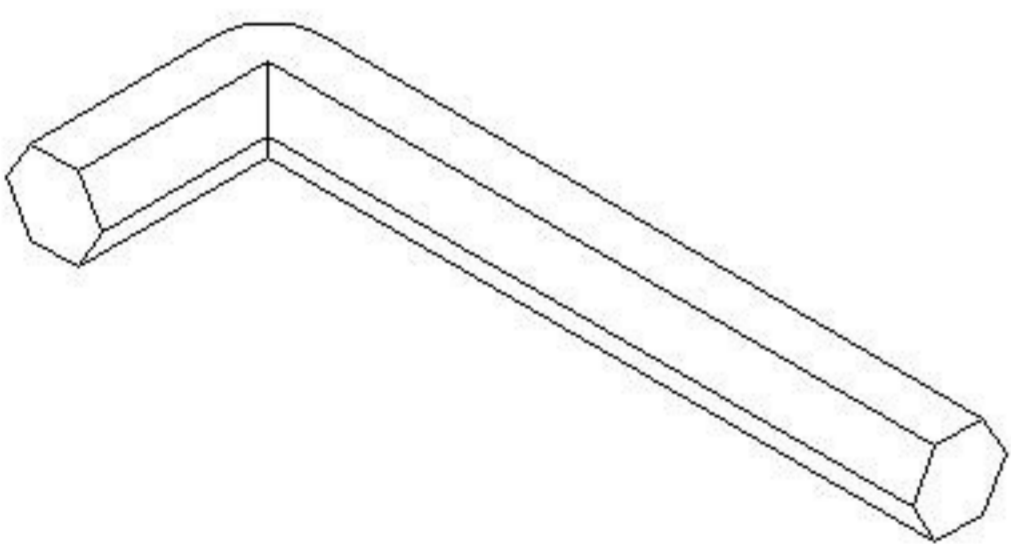
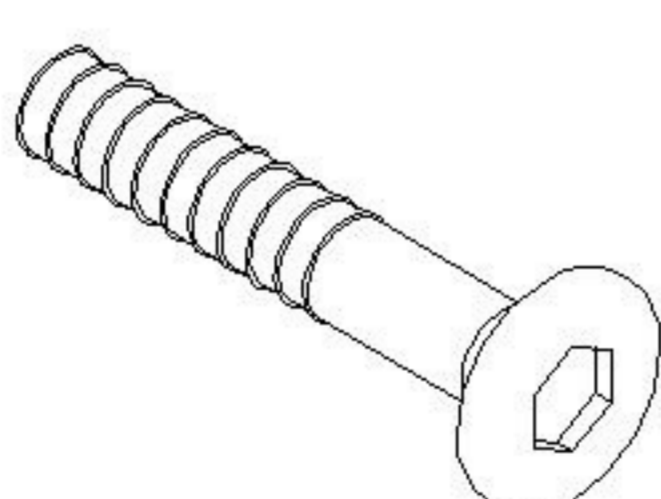
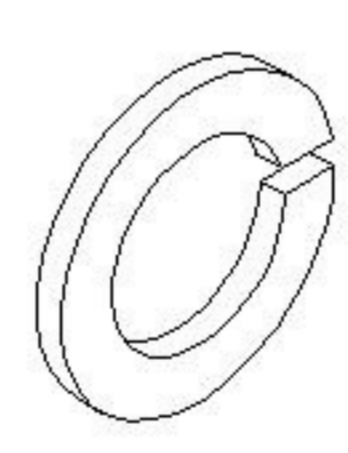
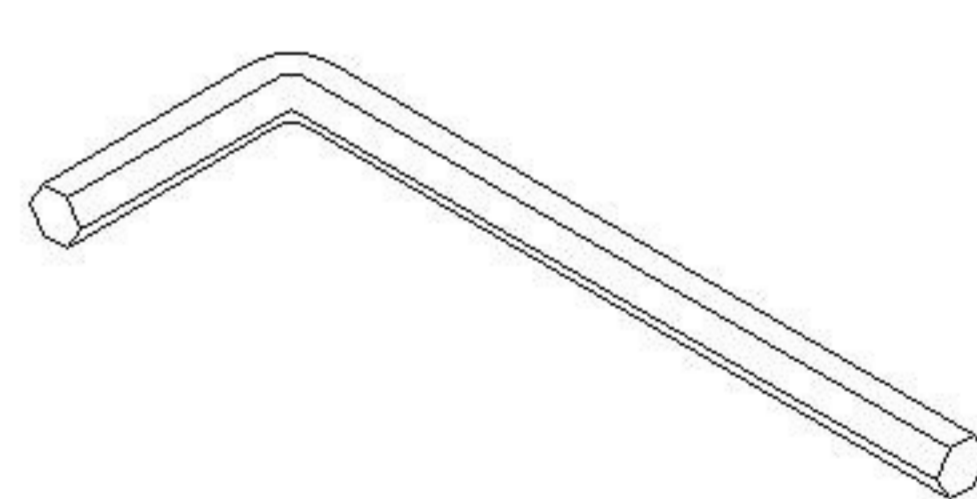
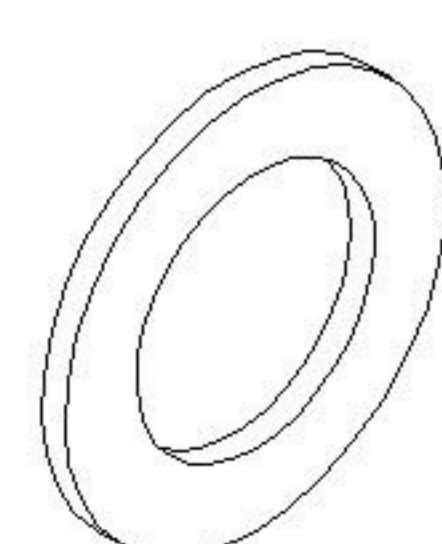
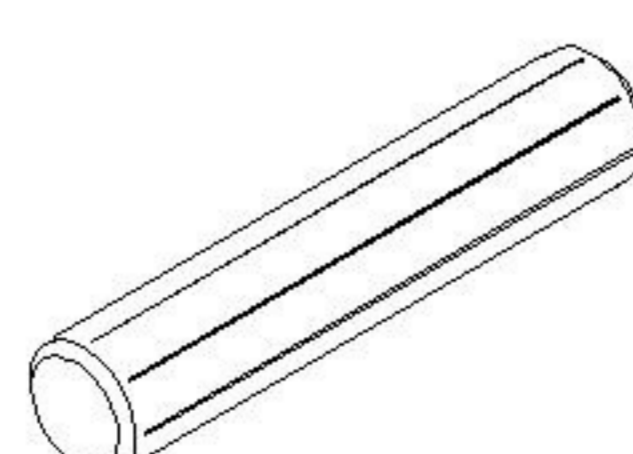
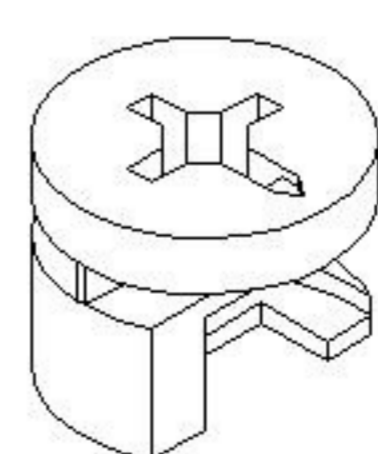
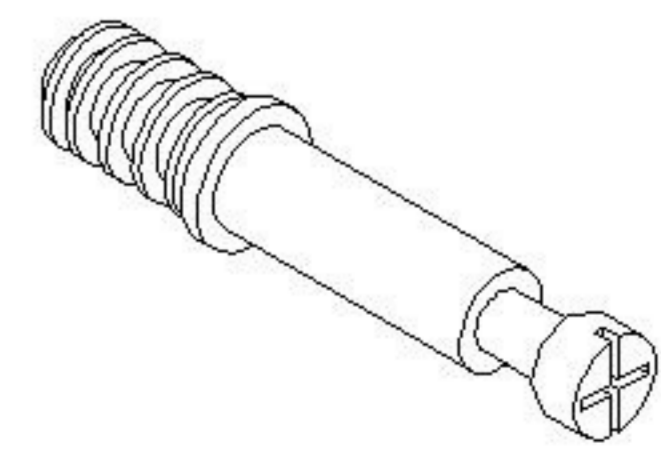
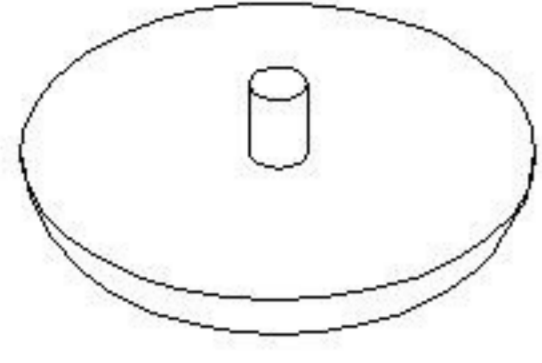


ASSEMBLY INSTRUCTION

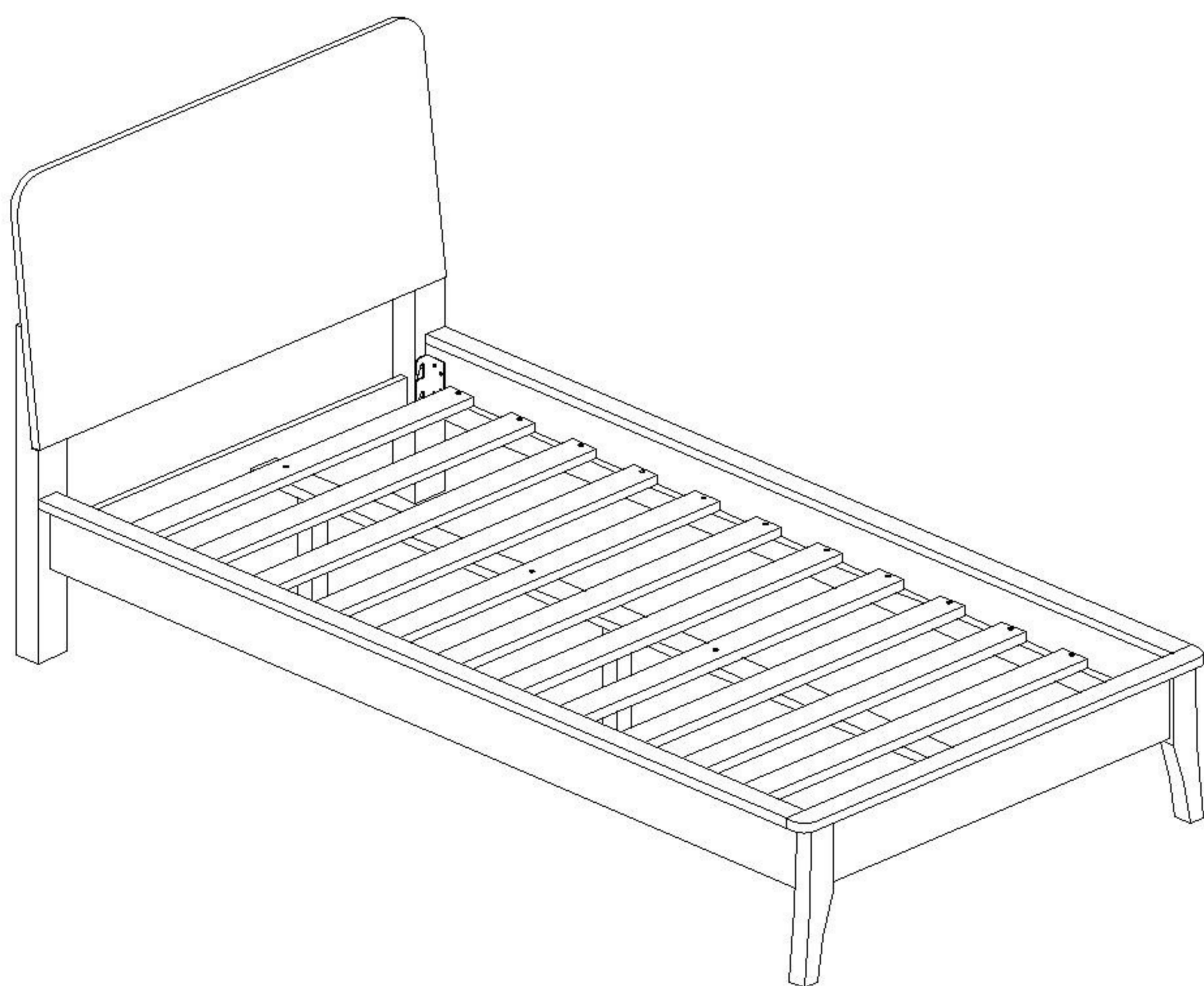
TWIN BED

A Headboard  1pc	B Footboard  1pc	C Side Rail  2pcs	D Bed Slat  8pcs
E Center Bar  1pc	F Support Stand  3pcs	G Bed Slat with 3 Holes  4pcs	H Headboard Post (Left)  1pc
I Headboard Post (Right)  1pc	J Headboard Bar  1pc	K JCBB Bolt M8*20mm  8pcs	L Screw M4*32mm  28pcs
M Allen Key M5  1pc	N JCBC Bolt M6*35mm  4pcs	O Spring Washer M6  4pcs	P Allen Key M4  1pc
Q Flat Washer M6  4pcs	R Dowel M8*35mm  2pcs	S Cam Lock 15*12mm  2pcs	T Cam Bolt 5*25mm  2pcs

U Cam Lock Cover
17*5mm



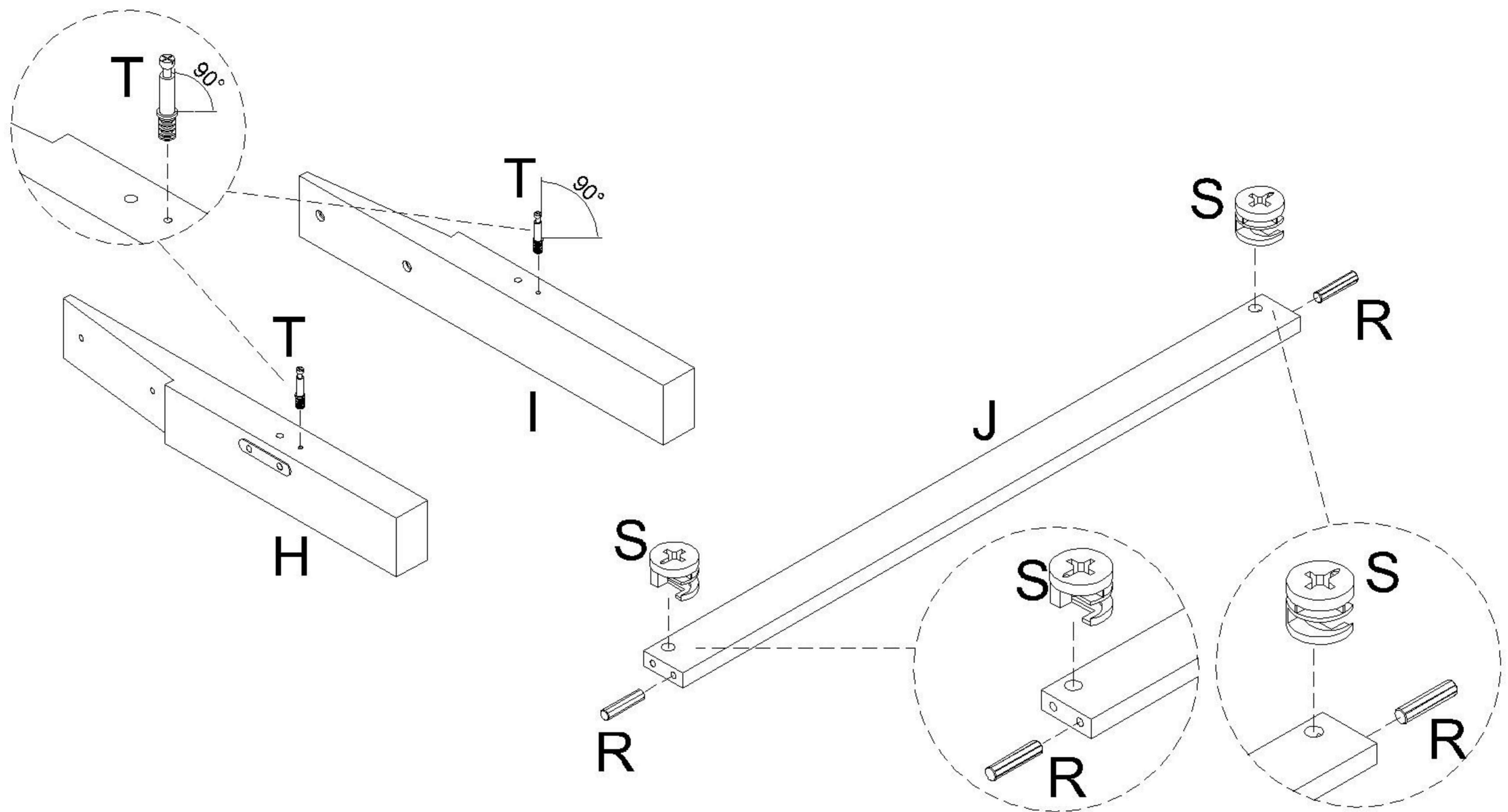
2pcs



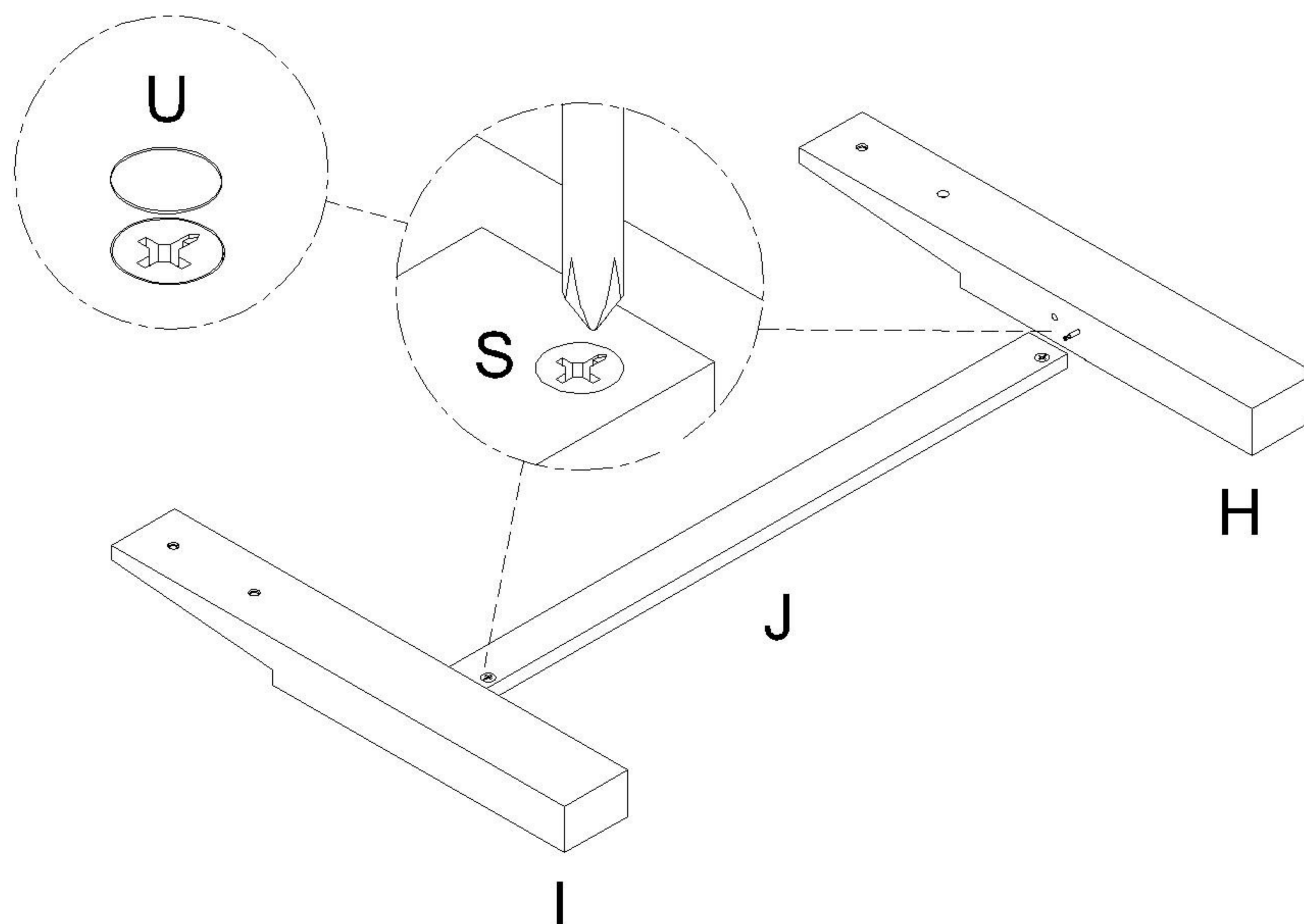
This pages lists all the contents included in the box. Please take the time to identify the hardware as well as the individual components to this product. As you unpack and prepare for assembly, place the contents on a carpeted or padded area to protect them from damage.

1

Insert Cam Bolt (T) to Left & Right Headboard Post (H & I). Insert Cam Lock (S) & Dowel (R) to Headboard Bar (J).

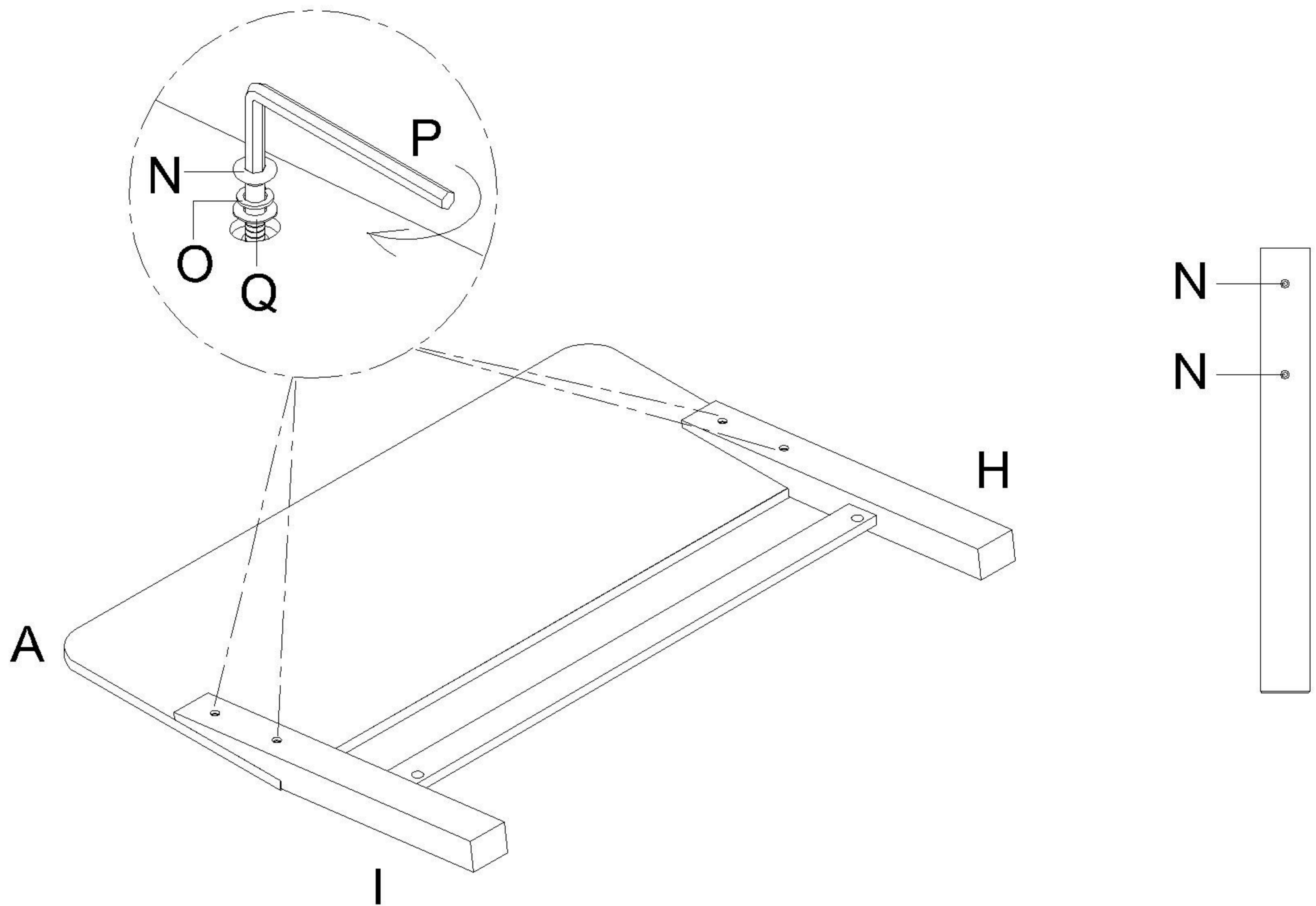
**2**

Attach Left & Right Headboard Post (H & I) to Headboard Bar (J) and secure with Cam Lock (S). Cover Cam Lock (S) with Cam Lock Cover (U).

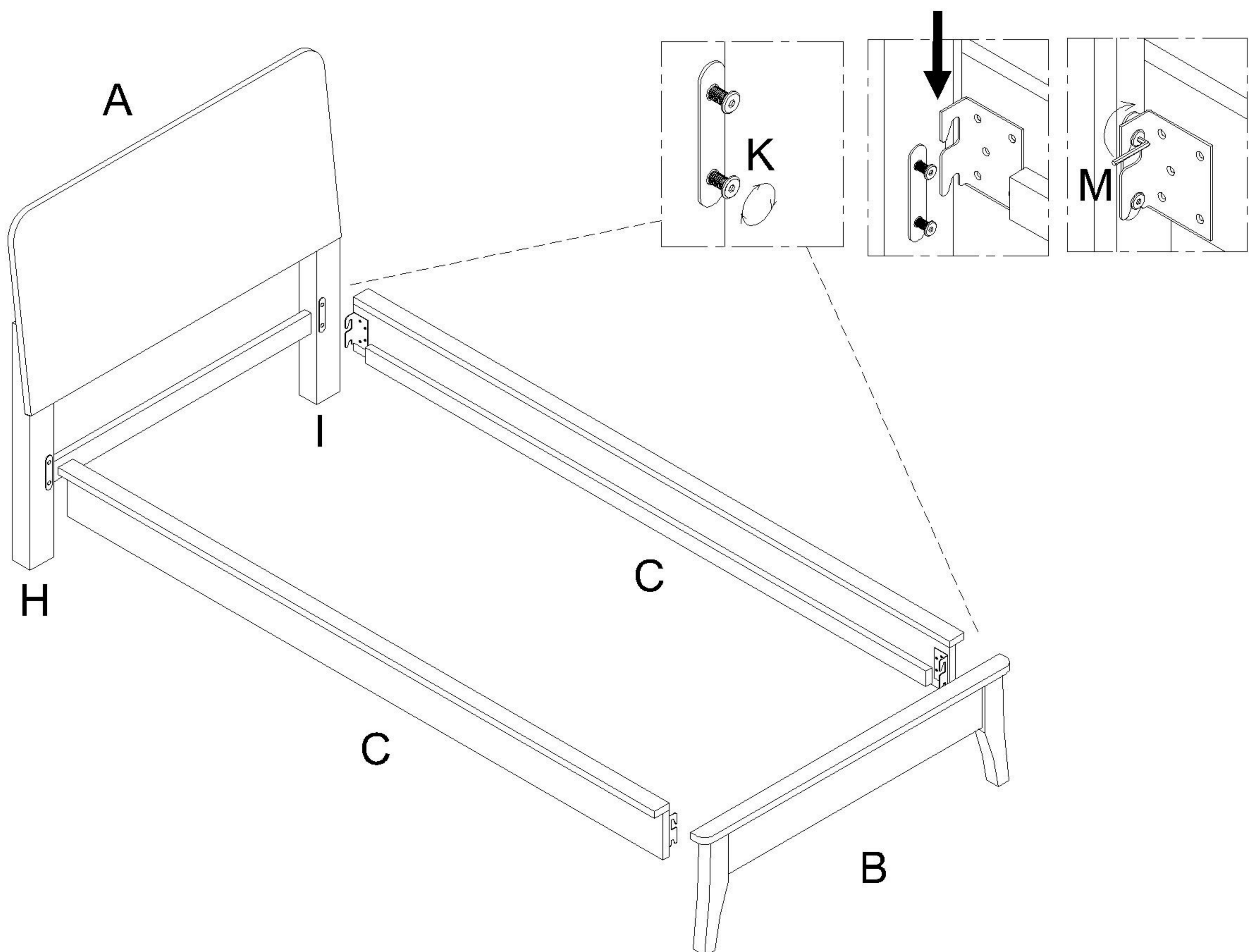


3

Attach Left & Right Headboard Post (H & I) to Headboard (A) and secure with Spring Washer (O), Flat Washer (Q) and JCBC Bolt (N) and tighten with Allen Key (P) clockwise.

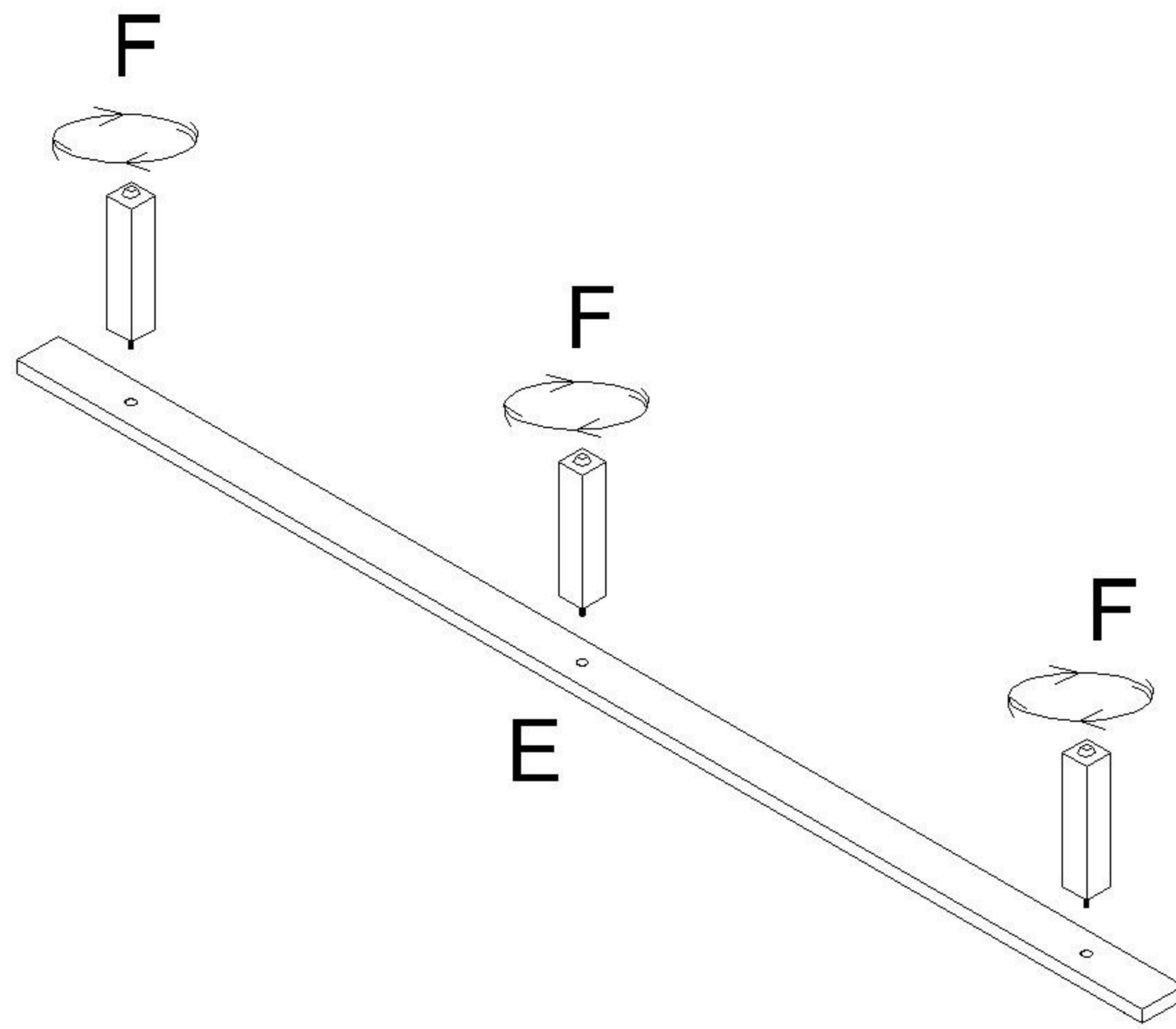
**4**

Attach JCBB Bolt (K) loosely to brackets in Left & Right Headboard Post (H & I) & Footboard (B). Attach Side Rail (C) to Left & Right Headboard Post (H & I) & Footboard (B) & fully tighten JCBB Bolt (K) with Allen Key (M).



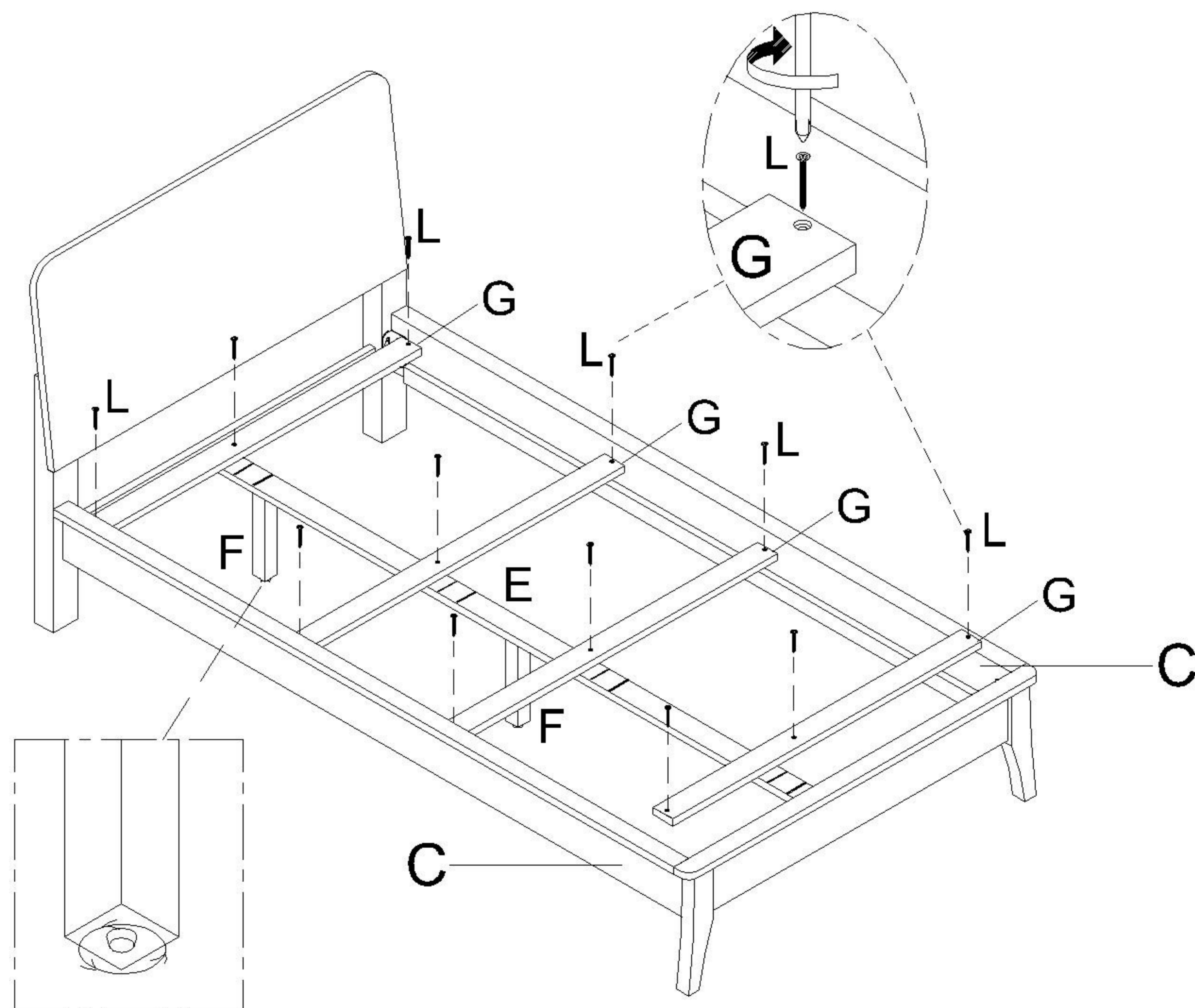
5

Screw in Support Stand (F) to Center Bar (E).

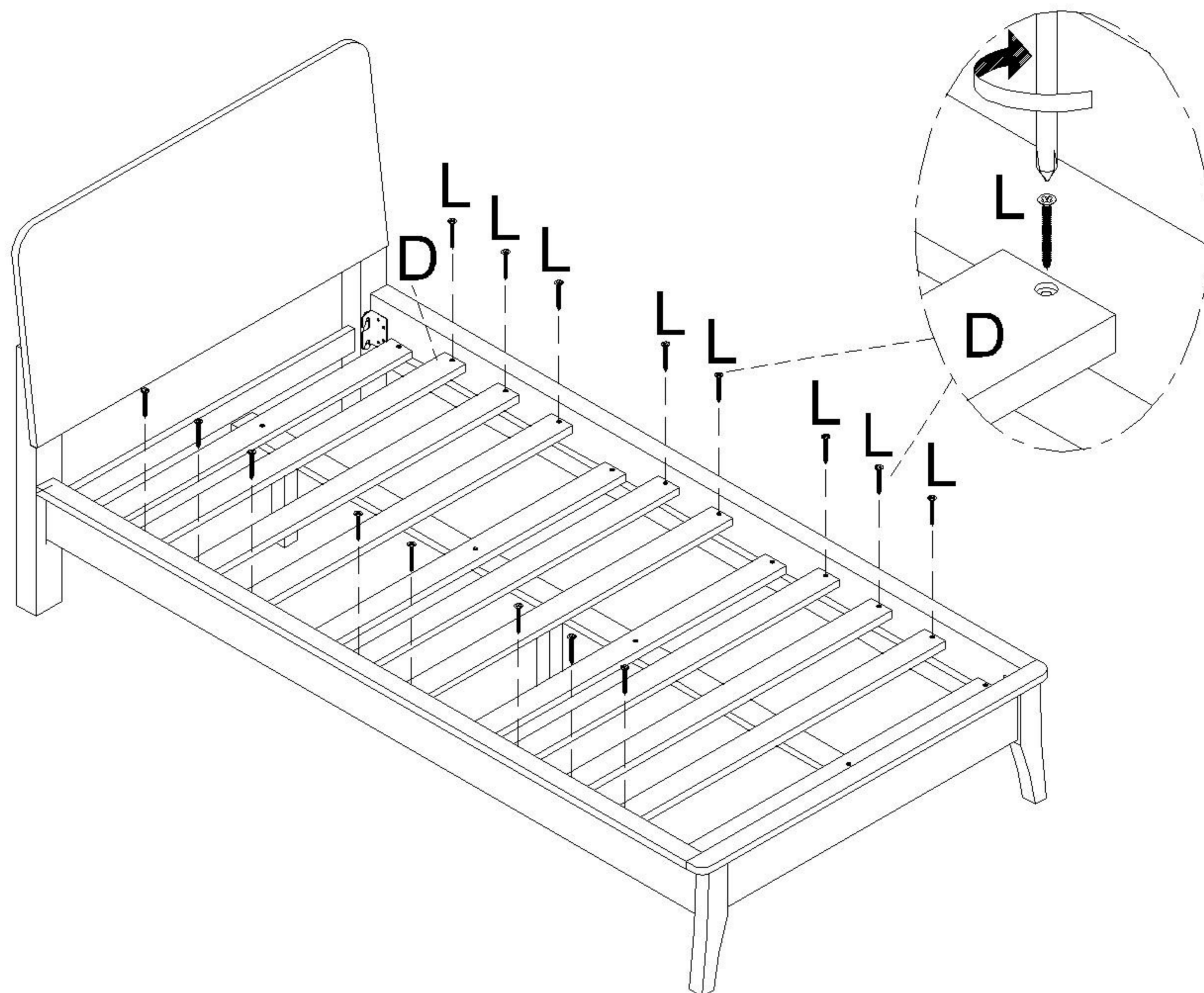


6

Place both Center Bar (E) & Support Stand (F). Attach Bed Slat (G) to Side Rail (C) using Screw (L) to secure. Adjust levelers as needed.



7 Attach Bed Slat (D) to Side Rail (C) using Screw (L) to secure.



Cleaning & Care

Treat surface with care. Surface is resistant to scratches but is not scratch resistant. Clean surfaces with a dry or damp soft cloth. Do not use abrasive cleaners. Hardware may loosen over time. Periodically check that all connections are tight.