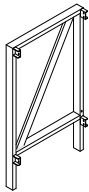
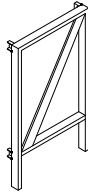
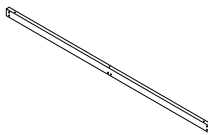
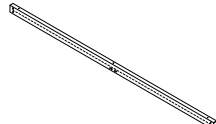


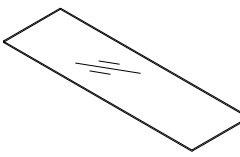
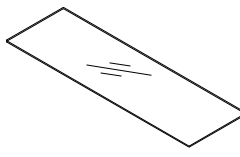
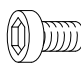



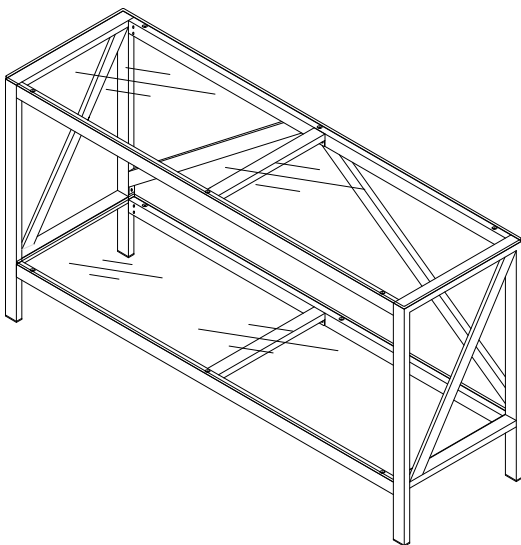


# ASSEMBLY INSTRUCTION

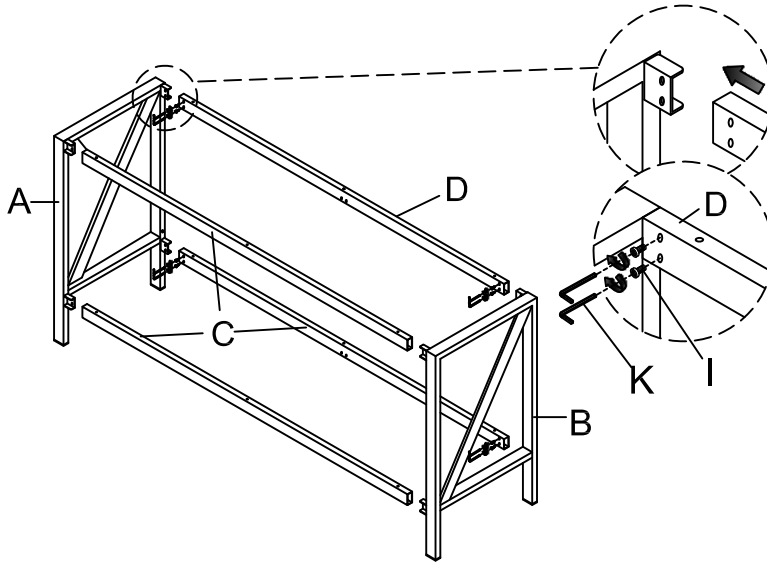
## TV STAND

|  |   |  |  |
|--|---|--|--|
| <b>A</b> Left Leg<br><br>1PC              | <b>B</b> Right Leg<br><br>1PC                    | <b>C</b> Cross Bar<br><br>3PCS           | <b>D</b> Cross Bar<br><br>1PC           |
| <b>E</b> Frame<br><br>2PCS                | <b>F</b> Cross Bar<br><br>2PCS                   | <b>G</b> Upper Glass<br><br>1PC          | <b>H</b> Lower Glass<br><br>1PC         |
| <b>I</b> Bolt<br>1/4"*10mm<br><br>28PCS | <b>J</b> Glass Holder<br>Ø16*10mm<br><br>12PCS | <b>K</b> L-Allen Key<br>4mm<br><br>1PC | <b>L</b> Anti-Tipping Kit<br><br>1SET |

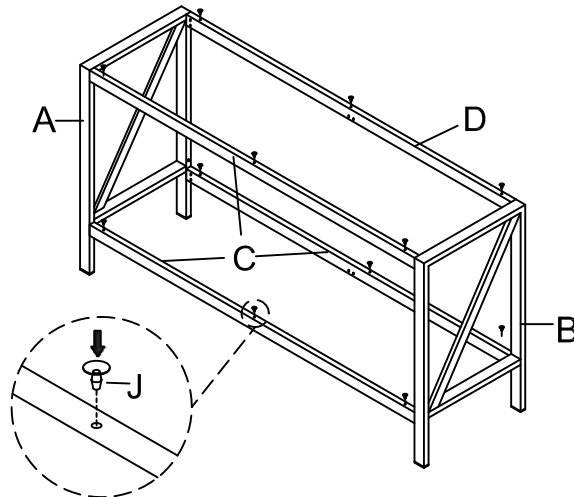


This page lists all the contents included in the box. Please take the time to identify the hardware as well as the individual components to this product. As you unpack and prepare for assembly, place the contents on a carpeted or padded area to protect them from damage.

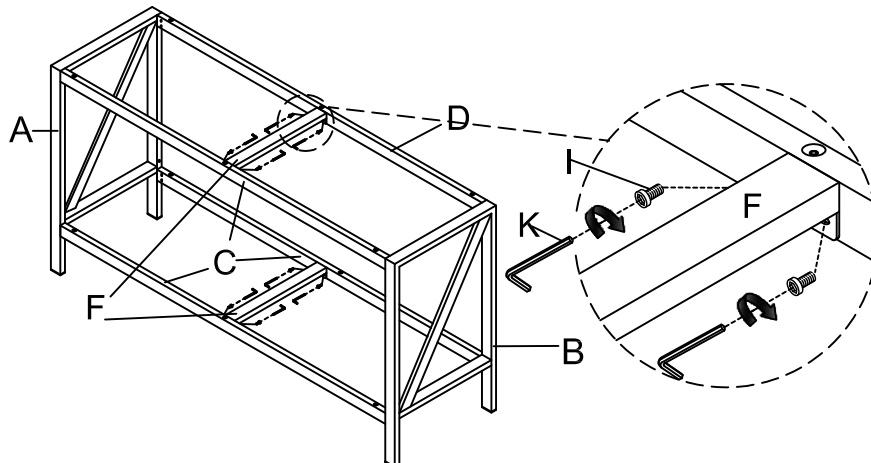
- 1 Put the left & right leg (A & B) on the smooth and stable working stand. Insert the cross bars (C & D) to the left & right leg (A & B), using bolts (I) and L-allen key (K) to tighten.



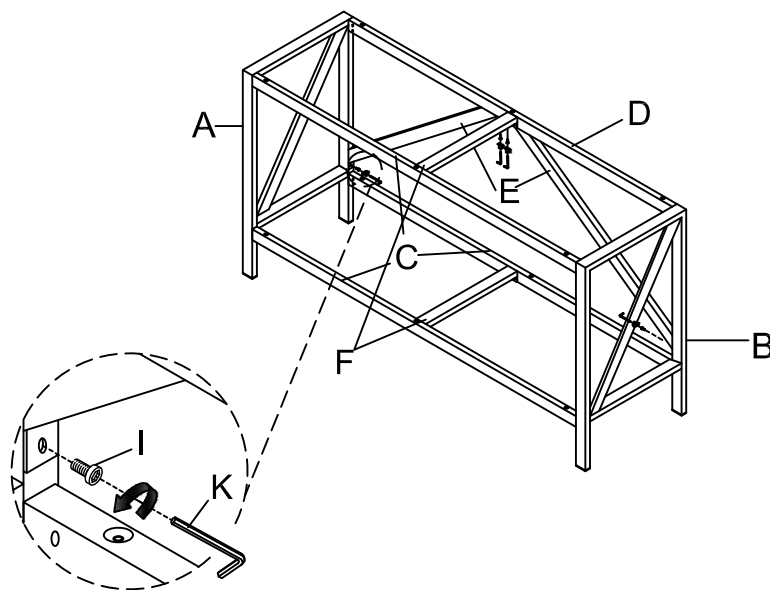
- 2 Attach the glass holders (J) to the cross bars (C & D).



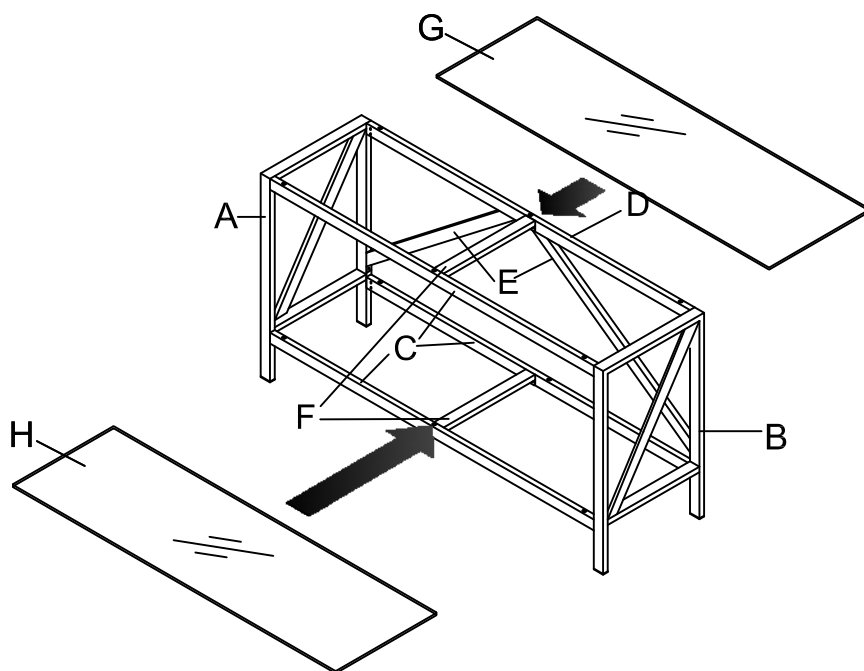
- 3 Attach the cross bars (F) to the upper & lower cross bars (C & D). Using the bolts (I) and L-allen key (K) to tighten.



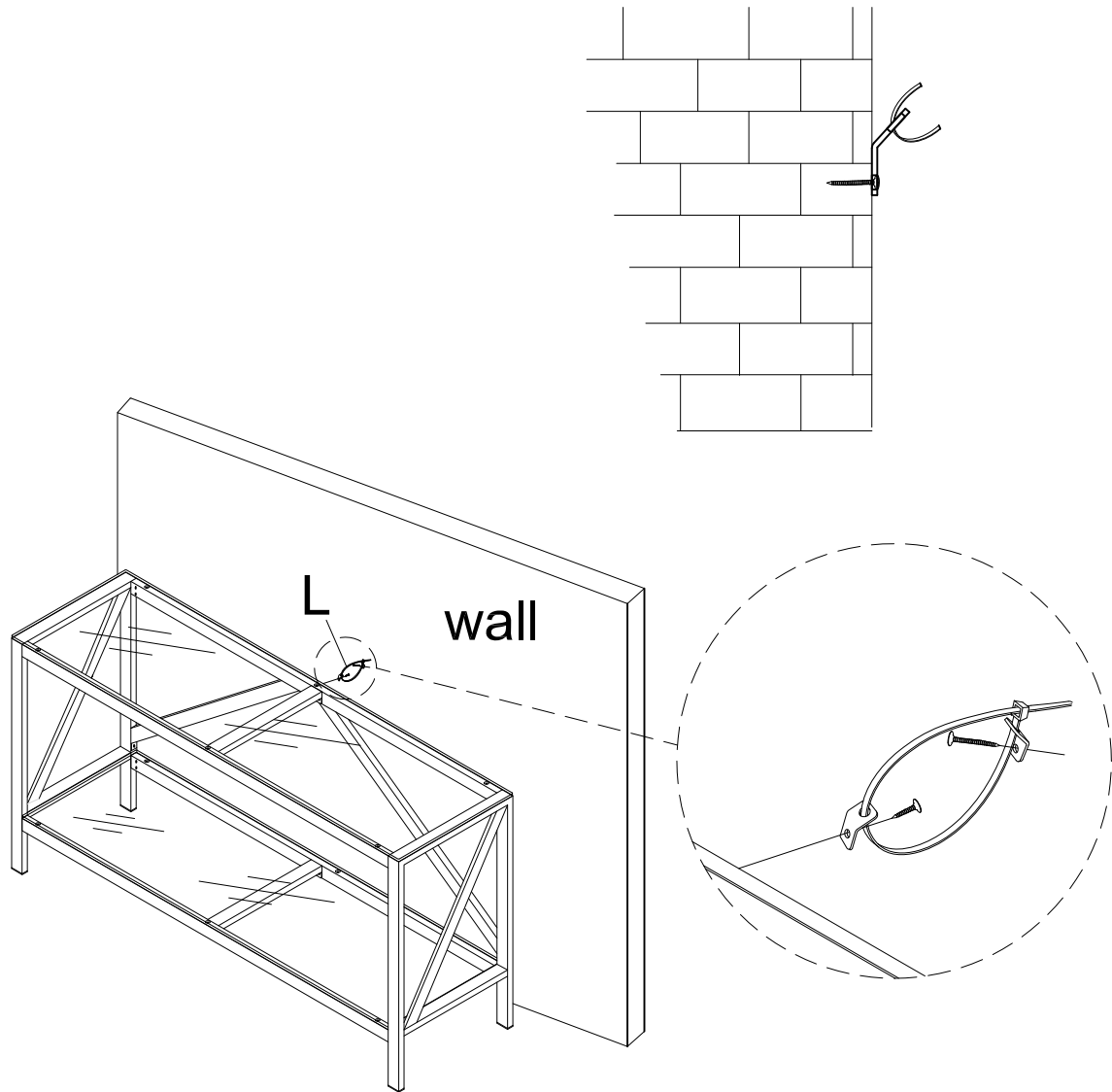
- 4** Attach the frame (E) to the left & right leg (A & B) and cross bar (D). Using bolts (I) and L-allen key (K) to tighten.



- 5** Attach the upper & lower glasses (G & H) onto the cross bars (C & D).



- 
- 6** Attach anti-tipping kit (L) to wall: Attach bracket (vertically) to wall, using 1 of the screws provided. Attach bracket (vertically) to furniture back with 1 of the screws provided. Place bracket as close to the center of furniture back as possible in relation to wall stud and the desired position in the room. Move furniture to its final position. Thread the strap through bracket, and pull it tight.



---

## Cleaning & Care

Treat surface with care. Surface is resistant to scratches but is not scratch resistant. Clean surfaces with a dry or damp soft cloth. Do not use abrasive cleaners. Hardware may loosen over time. Periodically check that all connections are tight.