

Installation Instructions

Wall Sconce

Record your model number:
Noter le numéro de modèle:
Anoté su número de modelo: _____

Français, page 8
Español, página 14

KOHLER®

Thank You for Choosing KOHLER

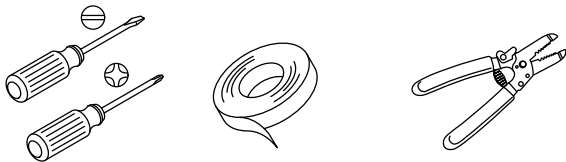
Need help? Contact our Customer Care Center.

- USA/Canada: 1-800-4KOHLER (1-800-456-4537) Mexico: 001-800-456-4537
- Service parts: kohler.com/serviceparts
- Care and cleaning: kohler.com/clean
- Patents: kohlercompany.com/patents

Warranty

This product is covered under the **KOHLER® Indoor Lighting Fixtures Limited Warranty**, found at kohler.com/warranty. For a hardcopy of warranty terms, contact the Customer Care Center.

Tools and Materials





Electrical Tape Wire Cutter/Stripper


Plus:

- E26 Base A19 Bulb(s) (Max 40 W)

Before You Begin

 **DANGER: Risk of electric shock.** To avoid electrical shock, the electricity must be turned OFF at the circuit breaker or fuse box before beginning installation.

 **DANGER: Risk of electric shock.** To avoid electrical shock, the electrical outlet box must be properly grounded.

 **CAUTION: Risk of property damage.** To avoid risk of fire, this fixture has been rated for bulbs up to 40 W. Do not exceed this rating.

Follow all local plumbing, building, and electrical codes.

Please read all instructions before you begin.

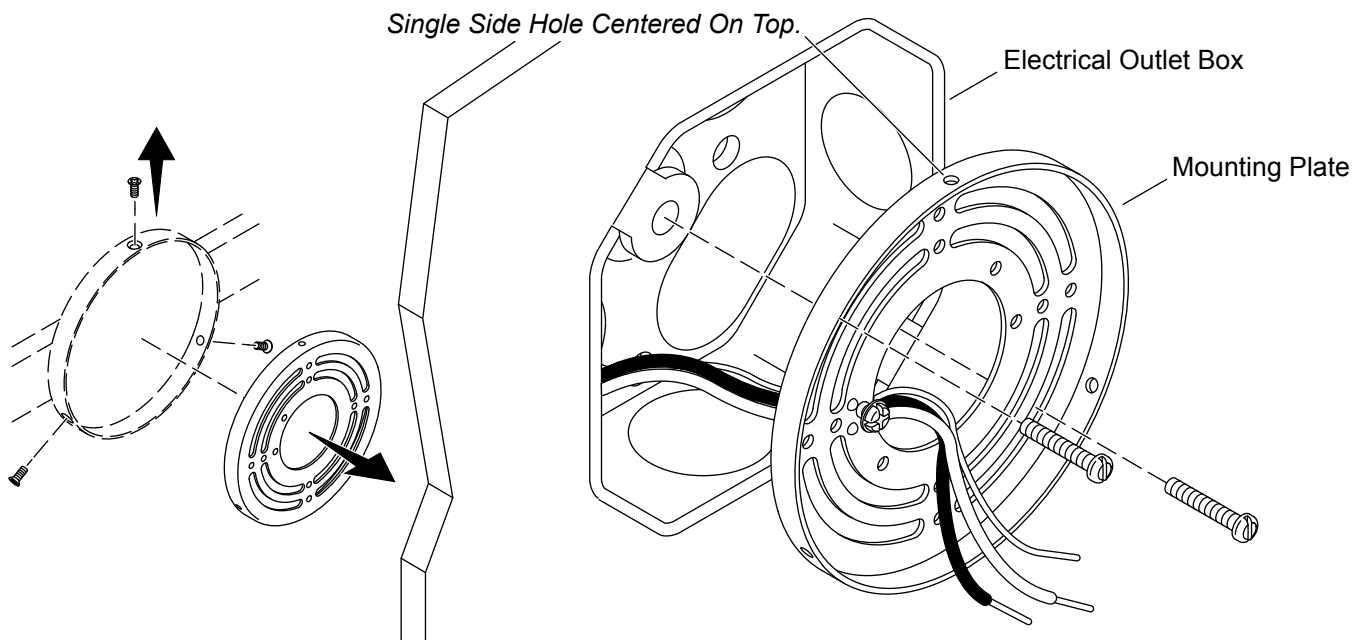
The fixture should be installed by a qualified electrician.

This fixture is for indoor use only.

Carefully inspect the fixture for damage.

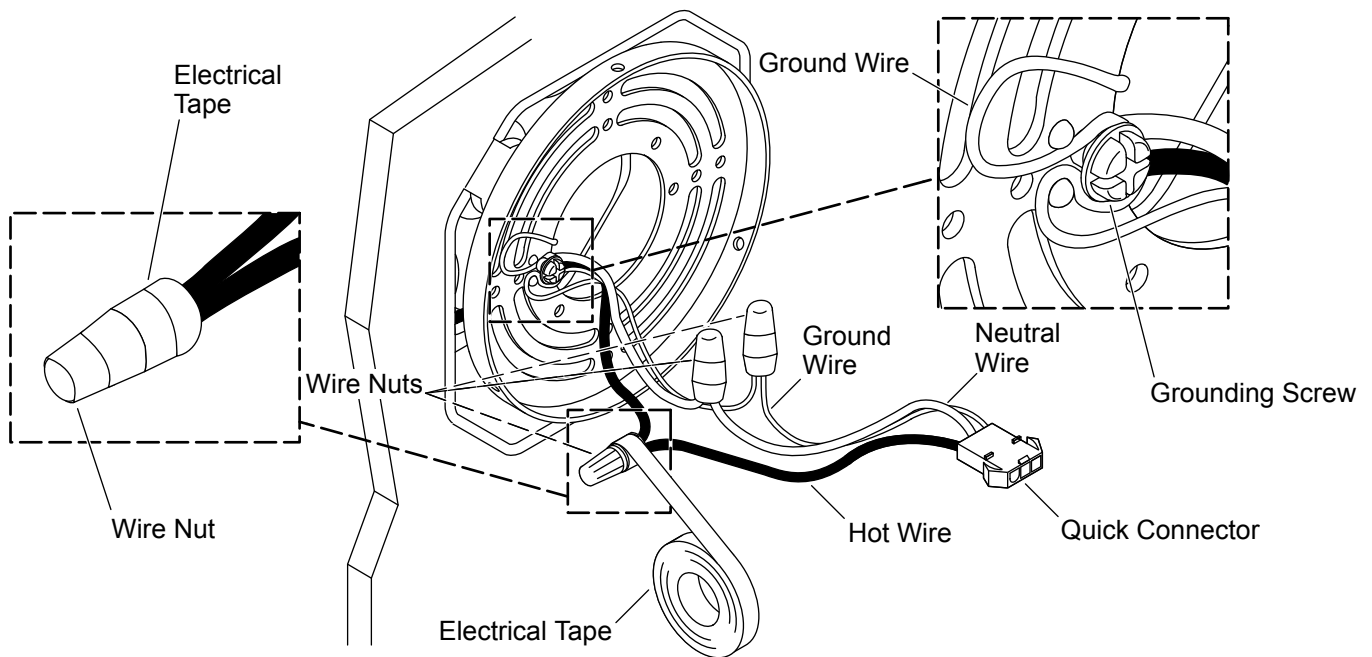
Your product may appear different from the one illustrated. The installation procedure is the same.

1. Install the Mounting Plate



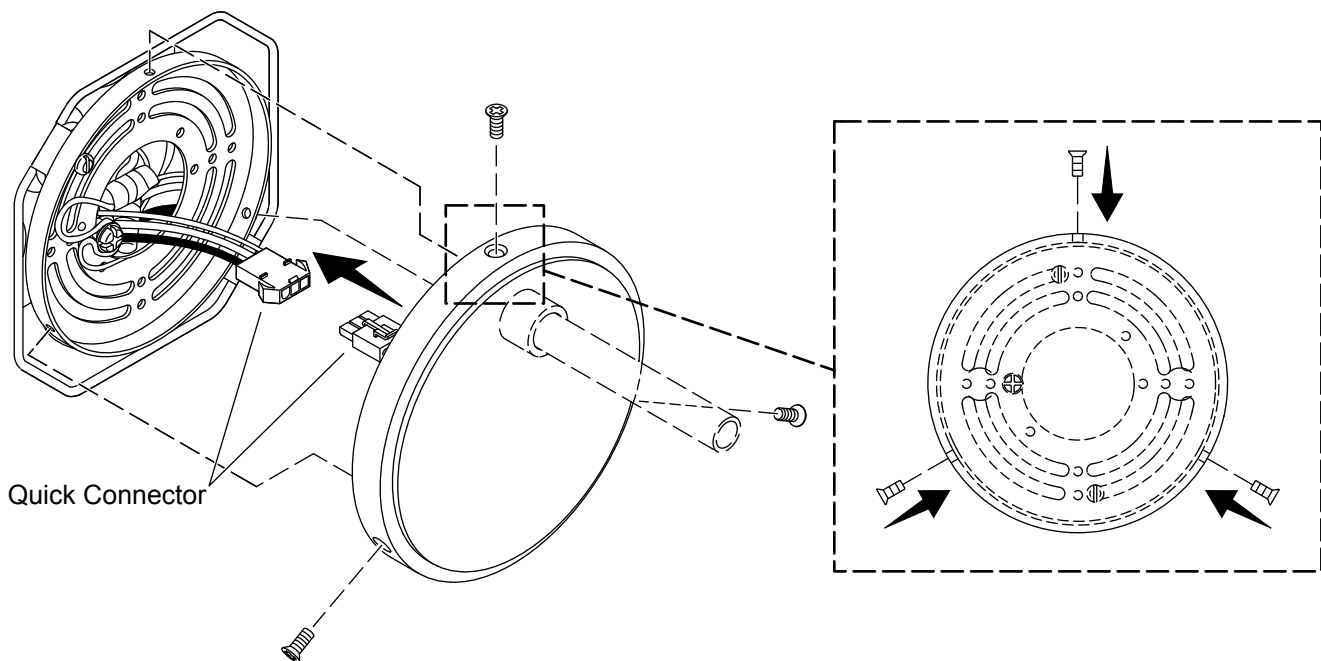
- Remove the screws securing the mounting plate to the fixture and remove the mounting plate.
- Carefully pull out the wiring from the electrical outlet box and allow the wires to hang down.
- Place the flat side of the mounting plate flat against the electrical outlet box.
- Align the mounting holes on the mounting plate with the holes on the electrical outlet box.
- Securely tighten the mounting plate to the electrical outlet box with the mounting screws.

2. Connect the Electrical Wires



- Make a loop in the ground wire and wrap around the grounding screw on the mounting plate. Tighten the grounding screw.
- Attach the ground wire (green), from the quick connector, to the ground wire (usually bare copper or green) from the electrical outlet box.
- Fasten the ground wires together with the provided wire nut.
- Attach the neutral wire (white), from the quick connector, to the neutral wire (usually white) in the electrical outlet box.
- Fasten the neutral wires together with the provided wire nut.
- Attach the hot wire (black), from the quick connector, to the hot wire (usually black) in the electrical outlet box.
- Fasten the hot wires together with the provided wire nut.
- Wrap the wire nuts with electrical tape.
- Verify that all plastic wire nuts are securely fastened and strands of bare wire are not exposed.

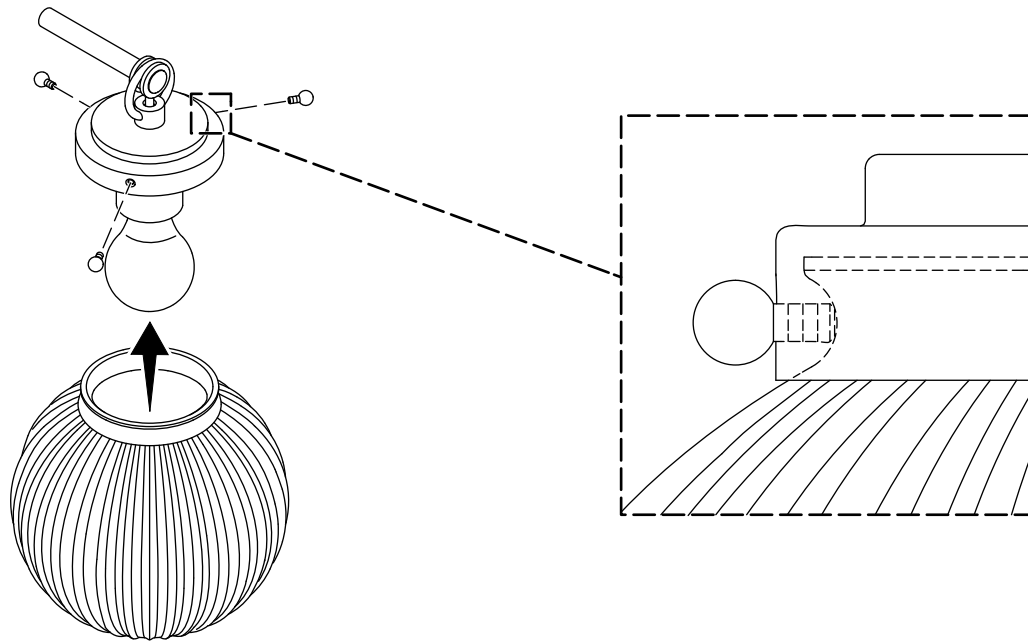
3. Install the Fixture



NOTE: Your product may appear different than the one illustrated. The installation procedure is the same.

- Carefully position the wires inside the electrical outlet box behind the mounting plate.
- Connect the quick connector to the fixture.
- Position the fixture over the mounting plate and align the screw holes.
- Secure the fixture to the mounting plate with the provided screws.

4. Install the Shade(s)



- Insert the bulb(s) into the socket(s).
- Position the shade inside the canopy.
- Carefully thread the screws into the canopy until the edge of the shade rests securely on the screws.
- Turn ON the main electrical supply from the main fuse or circuit breaker.
- Confirm proper operation.