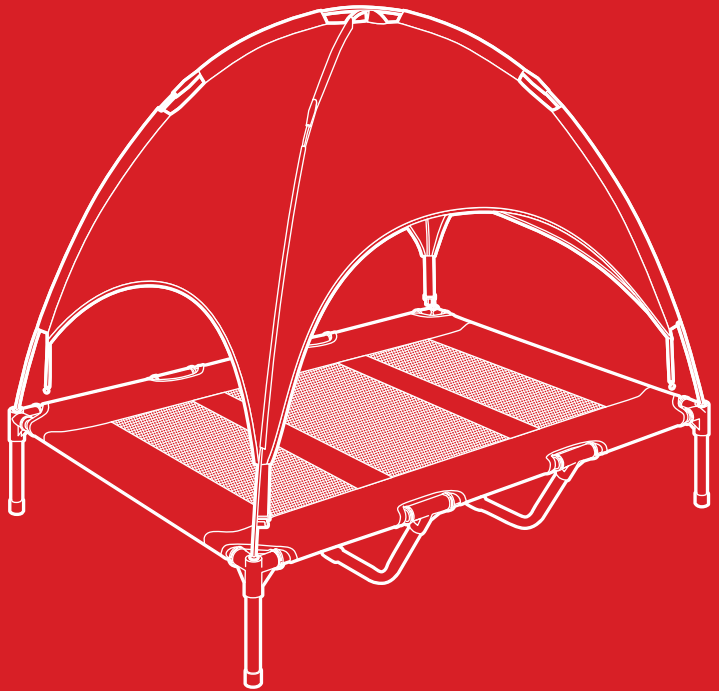




bestchoiceproducts



# INSTRUCTION MANUAL

---

48-Inch Raised Pet Bed



bestchoiceproducts

---

As shoppers, we're always trying to find the perfect balance between quality & value. At BCP, we believe we've achieved that. Our diverse catalog of everyday essentials is tailored especially to our customers & guaranteed to hit that sweet spot of high quality & low price.

— Always. —

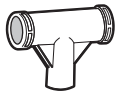
## ! NOTICE

Please retain these instructions for future reference.

- This product should be assembled by an adult.
- This product should be used on a flat surface.
- This product is for pet use only.
- Do not stand on or use any part of this item as a step ladder.
- Do not let any sharp objects touch or rub the surface of the product.
- Do not use or store this item in the proximity of open flame or flammable/combustible chemicals.
- If any parts are missing, broken, damaged, or worn, stop using this item until repairs are made and/or factory replacement parts are installed.
- Do not use this item in a way inconsistent with the manufacturer's instructions as this could void the product warranty.

## HARDWARE

### 1 T-CONNECTOR



4 PCS



99 LBS  
CAPACITY



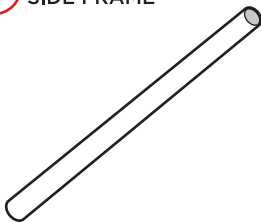
1 PERSON  
ASSEMBLY



APPROXIMATELY  
20 MIN.  
ASSEMBLY

## PARTS

### A SIDE FRAME



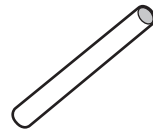
2 PCS

### B LEG



4 PCS

### C SHORT FRAME



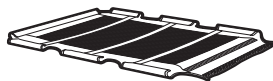
6 PCS

### D SUPPORT LEG



2 PCS

### E BED



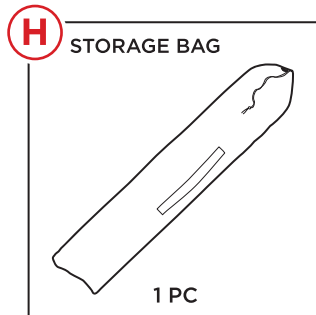
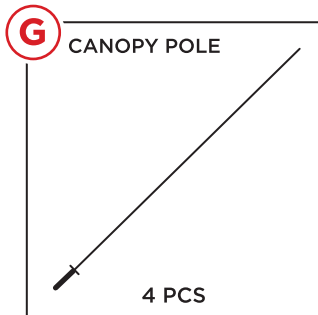
1 PC

### F CANOPY



1 PC

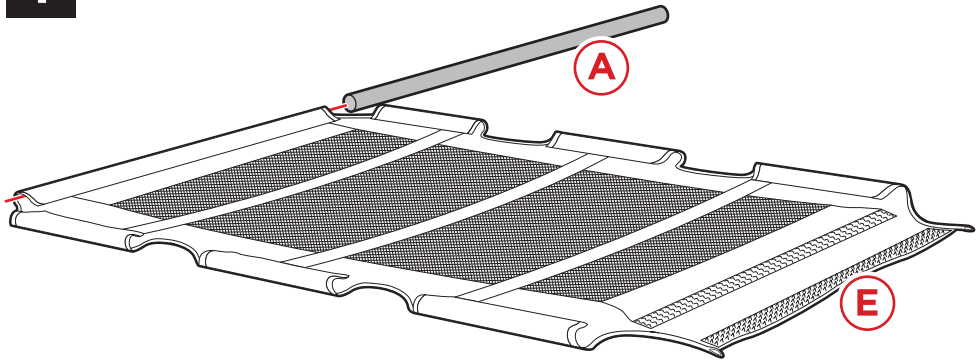
## PARTS



## PRODUCT ASSEMBLY - PET BED

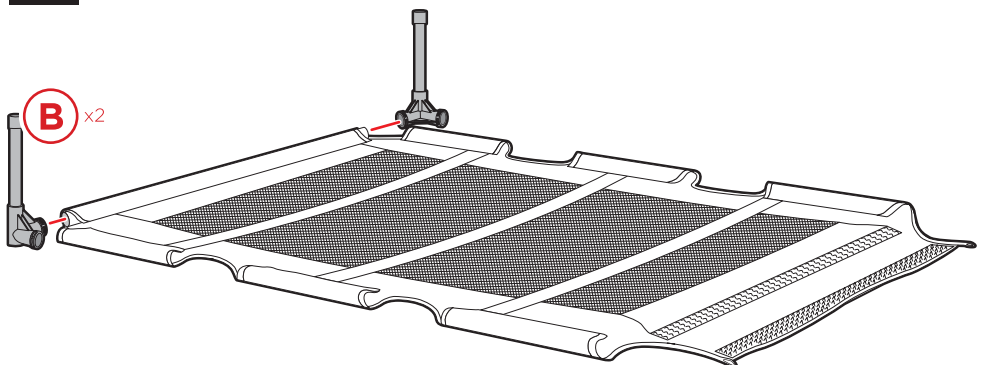
**1**

Flip the part E bed over and slide in a part A side frame.



**2**

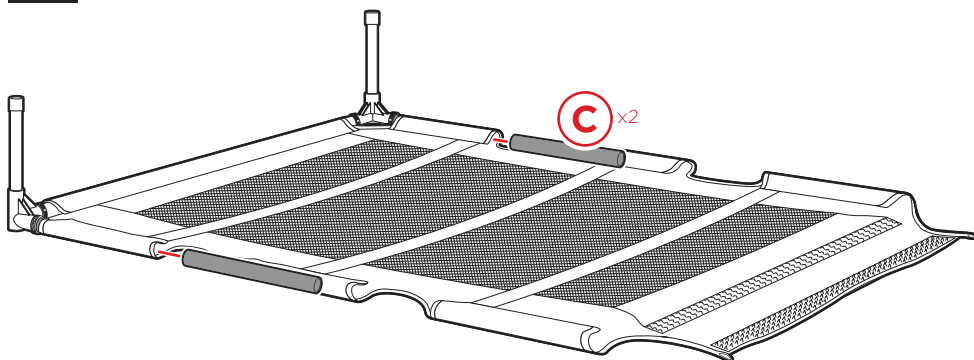
Insert two part B legs into the side frame.



## PRODUCT ASSEMBLY - PET BED

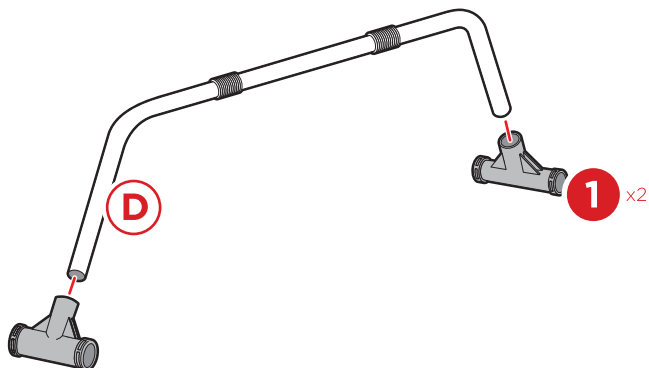
3

Insert two part C short frames into the legs. Route the short frames through the bed.



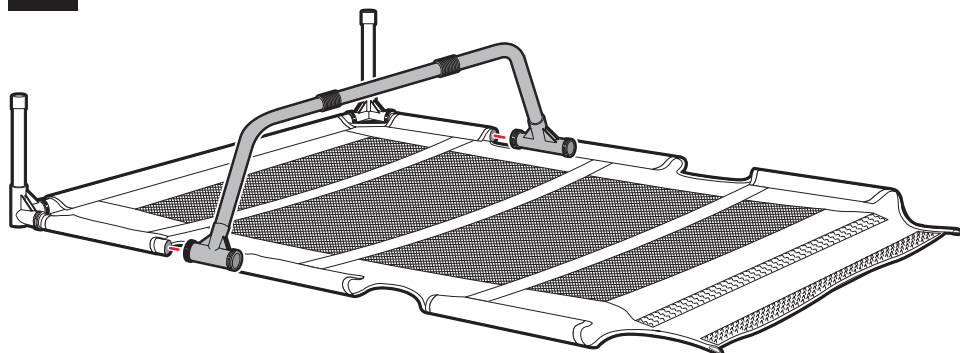
4

Attach four part 1 T-connectors to two part D support leg, two connectors per leg.



5

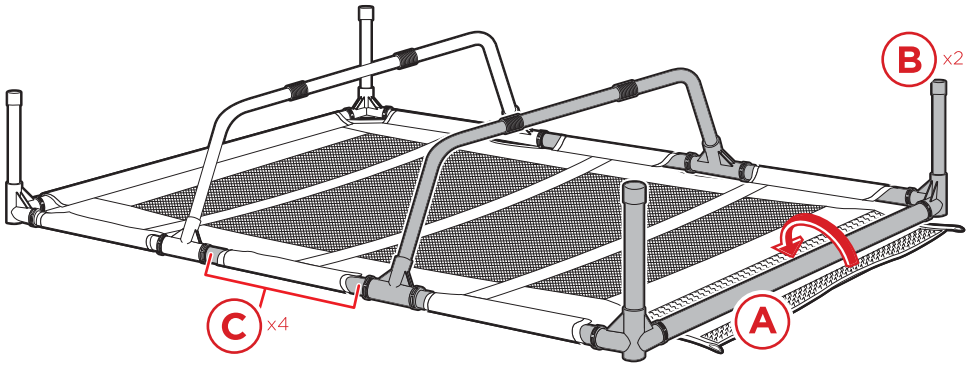
Attach the support leg to two short frames.



## PRODUCT ASSEMBLY - PET BED

6

Repeat steps to build the other half of the bed frame. Secure the part A side frame with the flap. Flip the pet bed onto its legs.

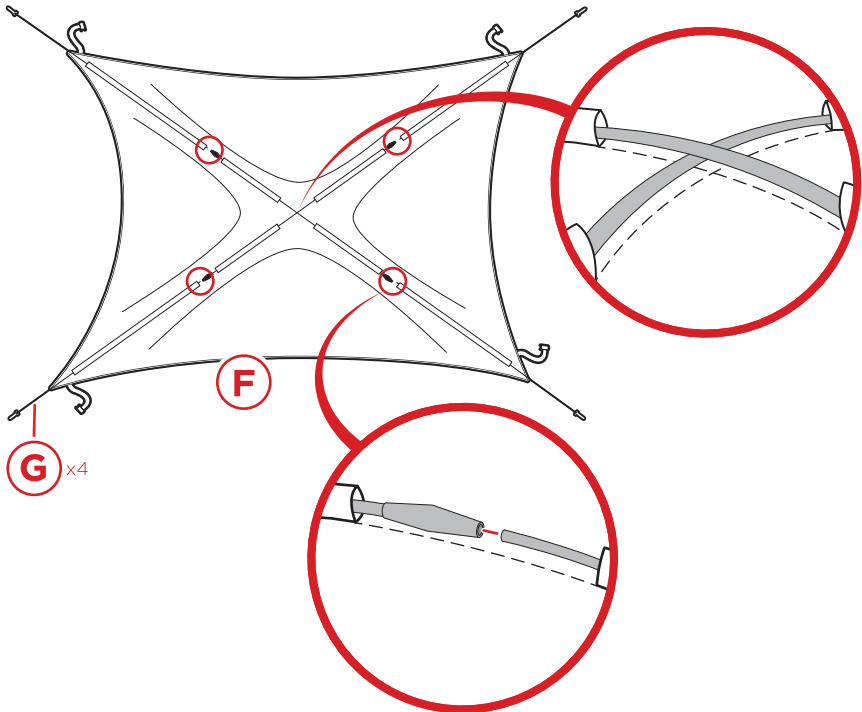


## PRODUCT ASSEMBLY - CANOPY

1

Make sure middle poles are crossed on the part F canopy.

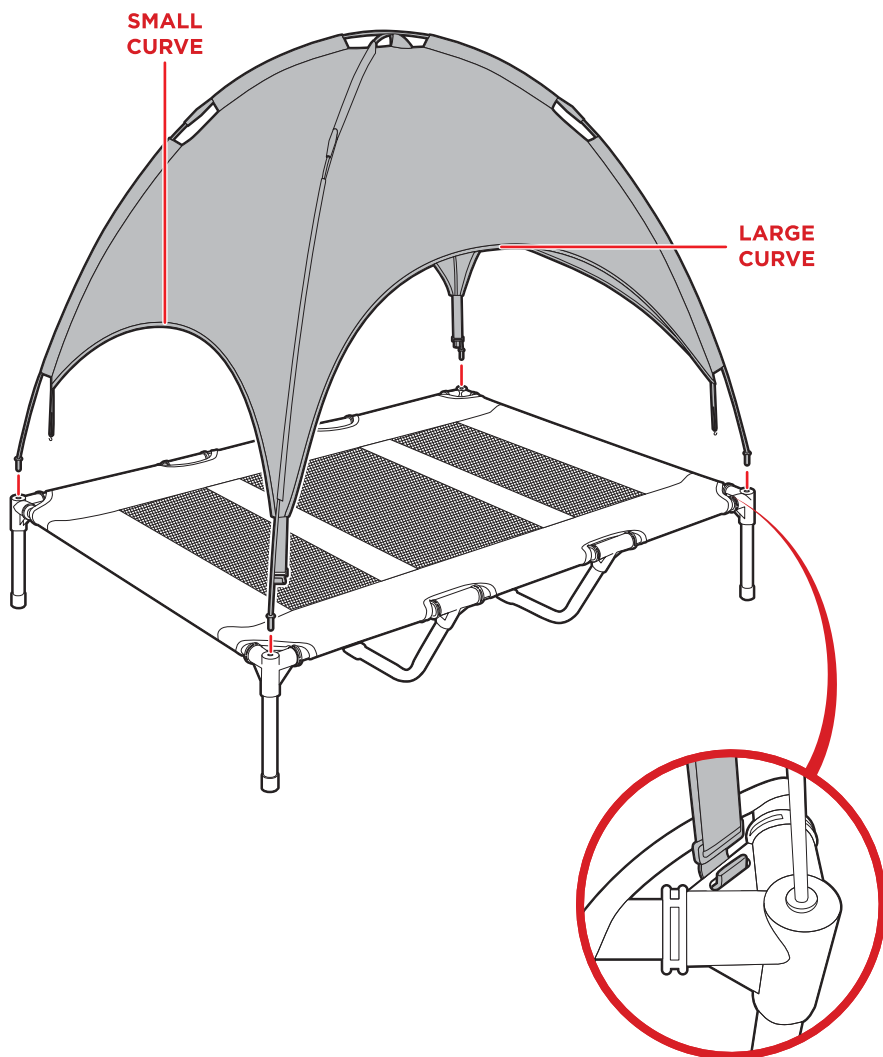
Insert four part G canopy poles into the middle poles. Route the poles through the canopy.



## PRODUCT ASSEMBLY - CANOPY

2

Position the canopy so the large curve is on the long side and the small curve is on the short side.  
Insert the plastic ends of the poles into the corners of the bed.  
Secure the canopy with the attached clips.





# HELP CENTER



Question about your product? We're here to help. Visit us at:

[help.bestchoiceproducts.com](http://help.bestchoiceproducts.com)



Chat Support



Product Inquiry



Orders FAQ



Product Assembly



Returns & Refunds

## PRODUCT WARRANTY INFORMATION

All items can be returned for any reason within 60 days of the receipt and will receive a full refund as long as the item is returned in its original product packaging and all accessories from its original shipment are included. All returned items will receive a full refund back to the original payment method. All returned items will not be charged a re-stocking fee.

All returned items require an RA (Return Authorization) number, which can only be provided by a Best Choice Products Customer Service Representative when the return request is submitted. Items received without an RA may not be accepted or may increase your return processing time. Once an item has been received by Best Choice Products, refunds or replacements will be processed within 5 business days.

All returns must be shipped back to the Best Choice Products Return Center at the customer's expense. If the reason for return is a result of an error by Best Choice Products then Best Choice Products will provide a pre-paid shipping label via email. Boxes for return shipping will not be provided by Best Choice Products, and is the customer's responsibility to either use the original shipping boxes or purchase new boxes.

Pictures may be required for some returns to ensure an item is not damaged prior to its return. Items returned are not considered undamaged until they are received by Best Choice Products and verified as such. All damages to items are the customer's responsibility until the item has been received by and acknowledge by Best Choice Products as undamaged.

## WARNING

Manufacturer and seller expressly disclaim any and all liability for personal injury, property damage or loss, whether direct, indirect, or incidental, resulting from the incorrect attachment, improper use, inadequate maintenance, or neglect of this product.