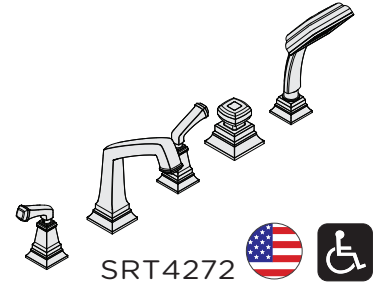




Location:



SYMMONS® Oxford

SRT-4270, SRT-4272
Roman Tub Faucet
Specification Submittal



Model Number	Feature Highlights
<input type="checkbox"/> SRT-4272 Roman Tub Faucet with Handspray <input type="checkbox"/> SRT-4270 Roman Tub Faucet	<ul style="list-style-type: none"> ▪ Two handle Roman Tub Faucet with quarter turn ceramic control components. ▪ Handspray with separate push button diverter ▪ Anti-siphoning diverter provides backflow protection (for SRT-4272 series) ▪ 1/2 rigid copper tubing connections ▪ Cast brass spout ▪ Metal construction, ▪ Standard finish is polished chrome ▪ 2.0 gpm (7.6 L/min) flow restrictor standard in hand spray
Finish Options	
<p>Append appropriate suffix to model number.</p> <input type="checkbox"/> - STN Satin Nickel Finish	
Warranty	Standards / Certification
<p>Limited Lifetime - to the original end purchaser in consumer/residential installations. 10 Years - for commercial/industrial installations. Refer to www.symmons.com/warranty for complete warranty information.</p> 	<p>ASME A112.18.1/CSA B125.1</p> 

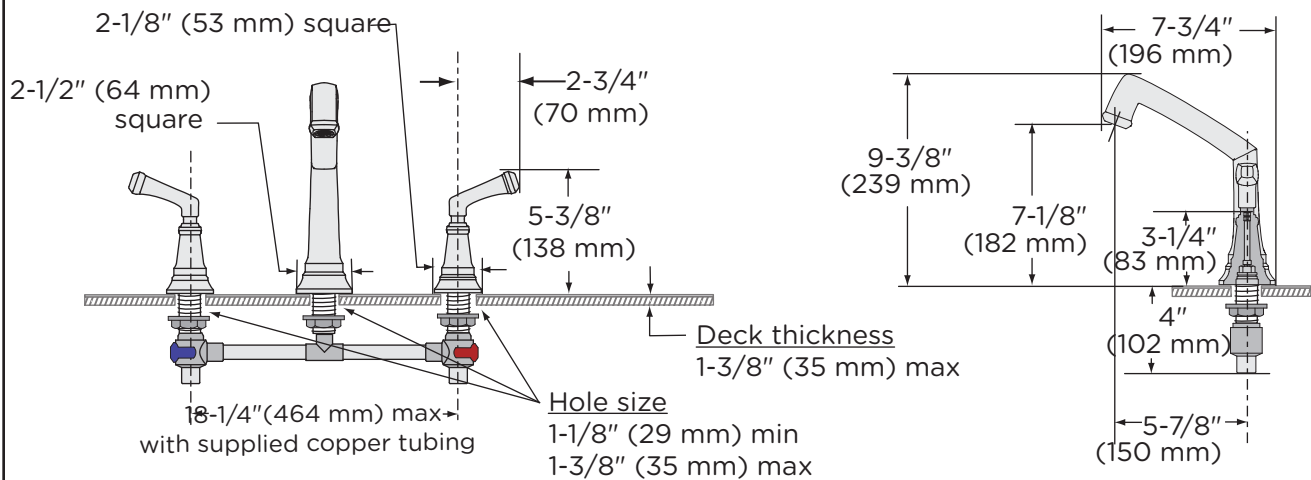
Architectural/ Engineering Specification

Symmons Oxford _____ Two handle Roman Tub Faucet with quarter turn ceramic control components, Handspray with separate push button diverter, Anti-siphoning diverter provides backflow protection (for SRT-4272 series), 1/2 rigid copper tubing connections, Cast brass spout, Metal construction, Standard finish is polished chrome, 2.0 gpm (7.6 L/min) flow restrictor standard in hand spray. 10 Year commercial Warranty. ASME A112.18.1/CSA B125.1, complaint. Available options include: "Satin Nickel Finish".

SRT4270, SRT4272

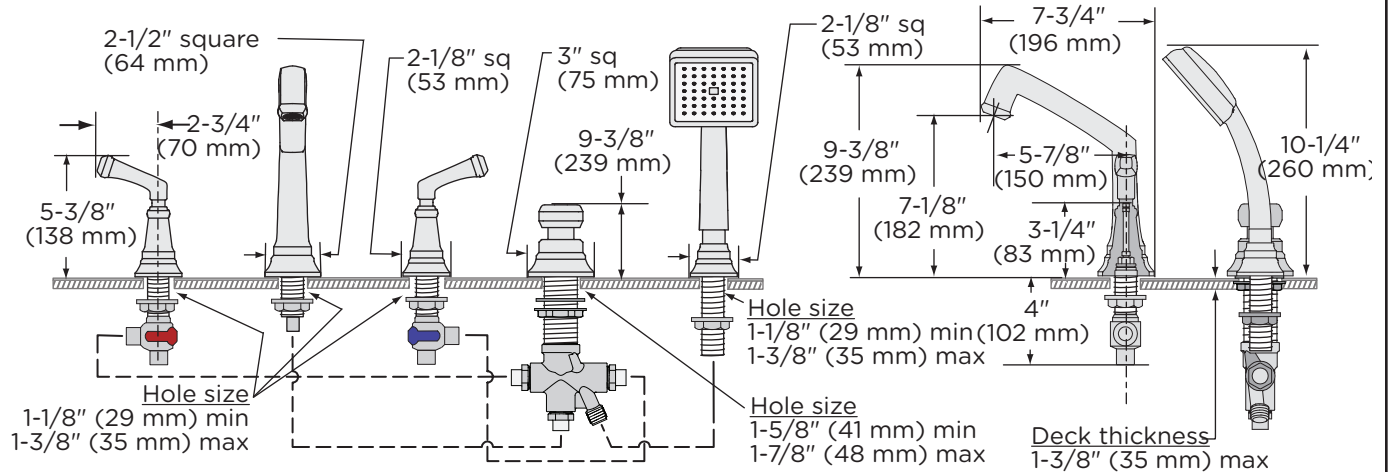
Dimension

Dimensions Oxford Roman Tub Faucet, SRT-4270



Note: Dimensions subject to change without notice.

Dimensions Oxford Roman Tub Faucet, SRT4272



Note: Dimensions subject to change without notice.