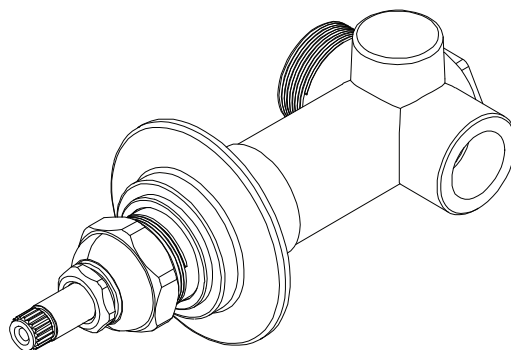

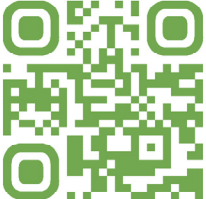


Location:



021 Valve, Volume Control and Shutoff Specification Submittal



Model Numbers	Feature Highlights
<input type="checkbox"/> 021 Valve, Volume Control and Shutoff	<ul style="list-style-type: none">• Concealed volume control valve• Positive shutoff
Compliance	Warranty
<p>- ASME A112.18.1/CSA B125.1 - Level handle meets ADA requirements</p> 	<p>Limited Lifetime - to the original end purchaser in consumer/residential installations. 10 Years - for commercial/industrial installations. Refer to www.symmons.com/warranty for complete warranty information.</p> 

Architectural/ Engineering Specification

Symmons _____ valve. Includes concealed volume control valve and positive shutoff. 10 Year Commercial Warranty. ASME A112.18.1/CSA B125.1 compliant and lever handle meets ADA requirements

Dimensions

