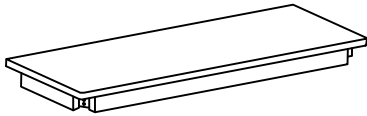


ASSEMBLY INSTRUCTION

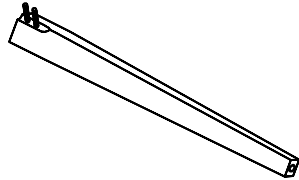
48" L BENCH

A BENCH TOP



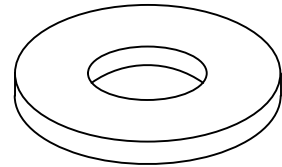
1 pc

B BENCH LEG



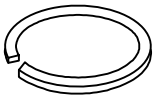
4 pcs

C FLAT WASHER
 $\text{Ø } \frac{5}{16}'' \times 19 \text{ mm}$



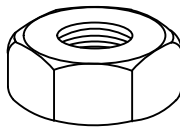
8 pcs

D LOCK WASHER
 $\text{Ø } \frac{5}{16}'' \times 13 \text{ mm}$



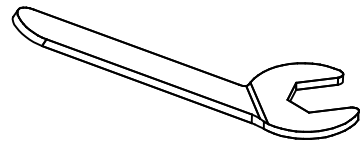
8 pcs

E HEX NUT
 $\text{Ø } \frac{5}{16}'' \times 12 \text{ mm}$

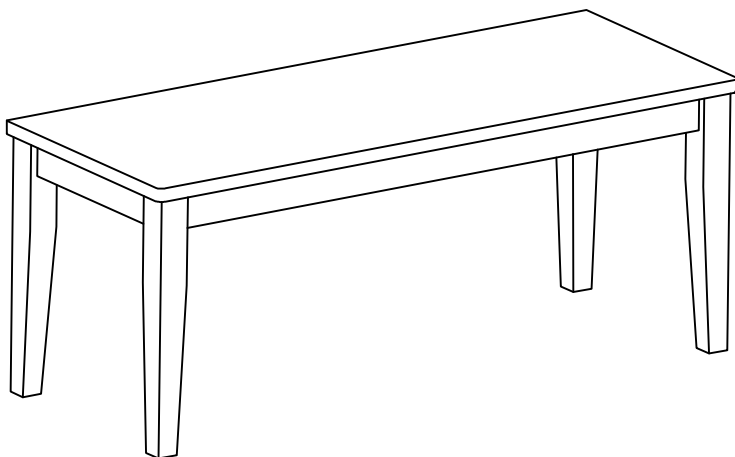


8 pcs

F WRENCH
12 mm

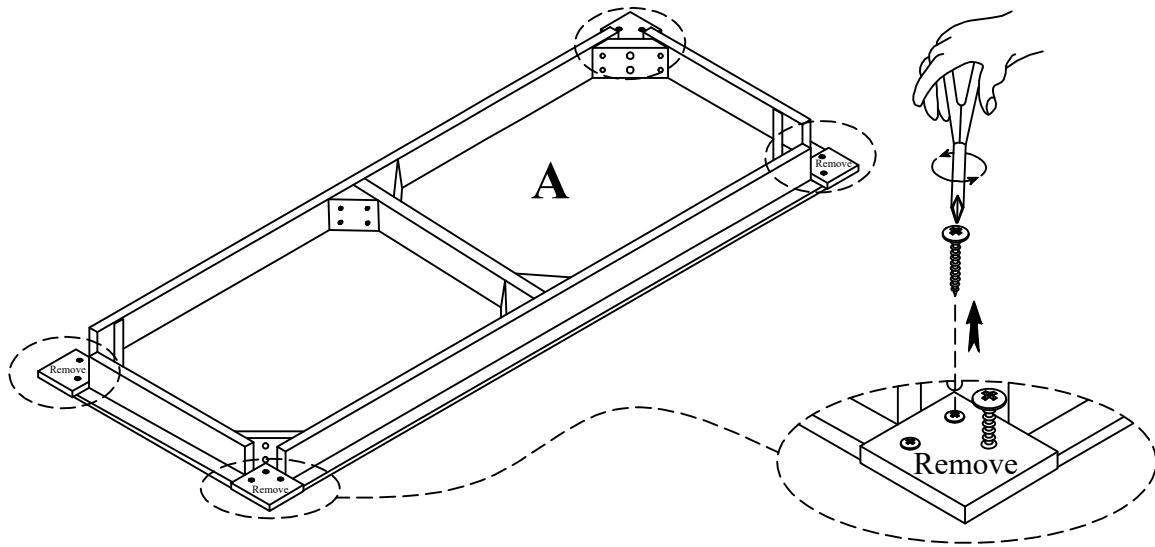


1 pc

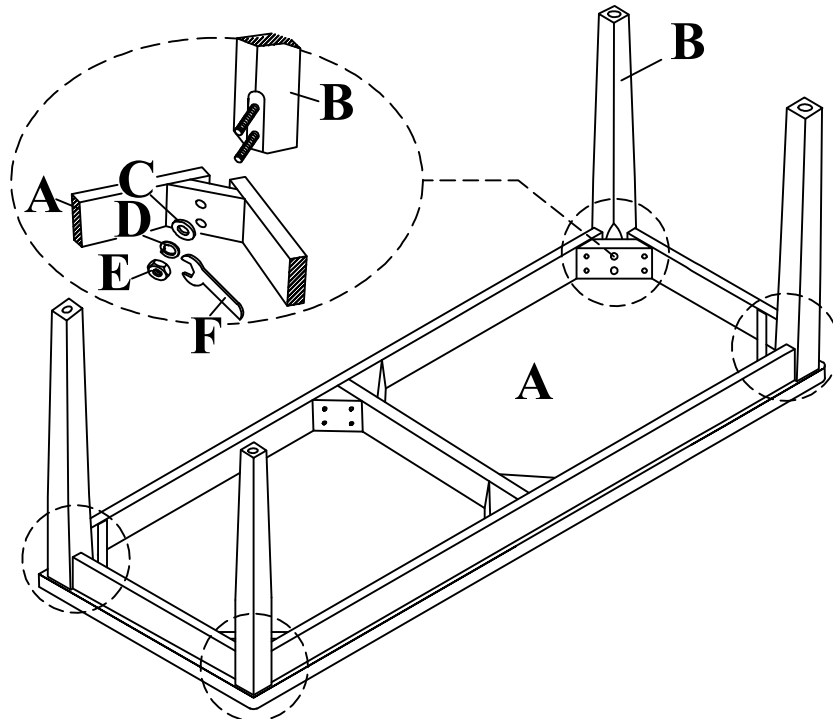


This page lists all the contents included in the box. Please take the time to identify the hardware as well as the individual components to this product. As you unpack and prepare for assembly, place the contents on a carpeted or padded area to protect them from damage.

1 Remove the protective panels from the Bench Top (A) using a screwdriver (not provided).



2 Place the Bench Top (A) upside down on the floor with a piece of cloth or carpet underneath to prevent from scratching. Attach the Bench Leg (B) to the Bench Top (A) using Flat Washer (C), Lock Washer (D) and Hex Nut (E) with Wrench (F). Do not fully tighten until all nuts and bolts are attached.



Cleaning & Care :

Treat surfaces with care. Surfaces are resistant to scratches but are not scratch resistant. Clean surfaces with a dry or damp soft cloth. Do not use abrasive cleaners. Hardware may loosen over time. Periodically check that all connections are tight.