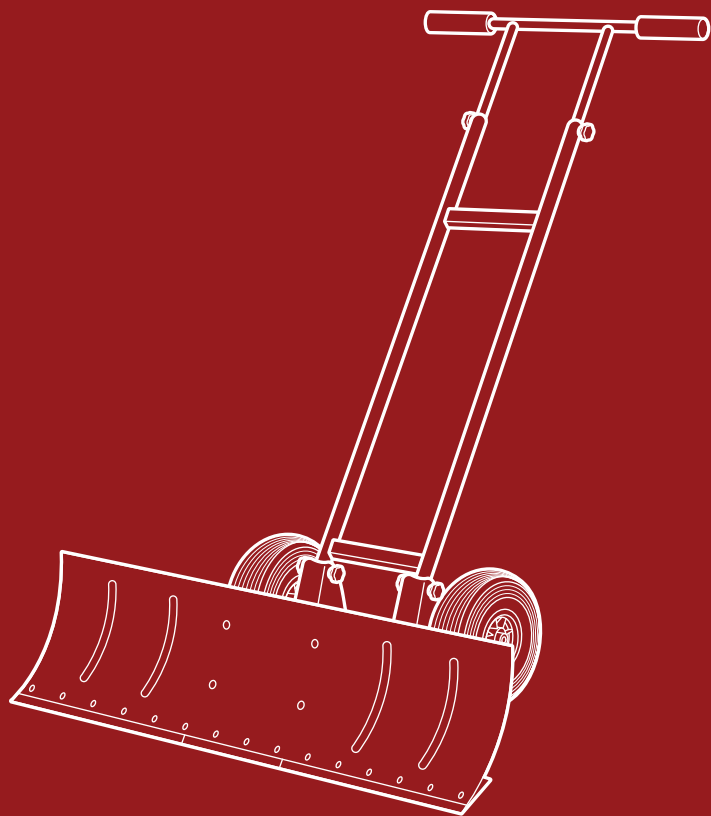




BEST CHOICE  
PRODUCTS



# INSTRUCTION MANUAL

---

Metal Snow Pusher  
with Wheels



**BEST CHOICE  
PRODUCTS**

---

As shoppers, we're always trying to find the perfect balance between quality & value. At BCP, we believe we've achieved that. Our diverse catalog of everyday essentials is tailored especially to our customers & guaranteed to hit that sweet spot of high quality & low price.

— Always. —

## ! NOTICE

Please retain these instructions for future reference.

- Please do not exceed the weight/load limitations of this item.
- Use a hand or foot pump to inflate tires to a maximum of 25 PSI.
- Do not allow children to use this item unsupervised. This item is not a toy.
- Always distribute the load evenly over the surface of the pusher tray.
- Do not operate in the vicinity of sharp or dangerous objects that could damage the tires.
- Do not stand on or use any part of this item as a step ladder.
- Firmly secure all bolts, screws and knobs before use.
- Reconfirm that all bolts, screws, and knobs are secure every 90 days.
- Fasten hardware loosely during initial assembly. Do not firmly tighten the hardware until the item is completely assembled.
- Be aware that some parts are heavy and have sharp edges.
- If any parts are missing, broken, damaged, or worn, stop using this product until repairs are made and/or factory replacement parts are installed.
- Do not use this item in a way inconsistent with the manufacturer's instructions as this could void the product warranty.
- This product is intended for residential use only.

## ! WARNING

- This product is intended for use by adults or those with adult supervision; keep out of the reach of children.
- Never operate this item under the influence of alcohol, controlled substances, or medication which may impede basic motor skills.
- Do not attempt to alter or modify this item in any way as this may result in personal injury.
- Do not use this item on uneven terrain, as this may result in personal injury or property damage.

## TOOLS REQUIRED



ALLEN WRENCH  
(PROVIDED)



WRENCH  
(NOT PROVIDED)



AIR PUMP



1 PERSON  
ASSEMBLY



UP TO 30 MIN.  
ASSEMBLY

## HARDWARE

1

M6 x 15mm  
BOLT



8 PCS

2

M6 NUT



8 PCS

3

M8 x 45mm  
BOLT



4 PCS

4

WASHER



4 PCS

5

COTTER PIN



4 PCS

6

M8 PLASTIC  
RECEIVER



4 PCS

7

M8 x 45mm  
SCREW



2 PCS

8

BOLT



1 PC

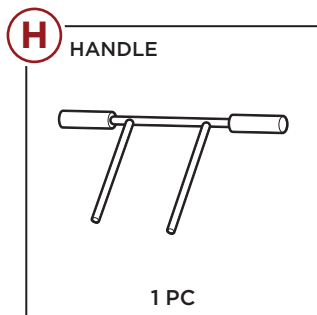
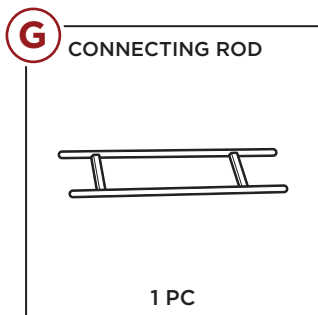
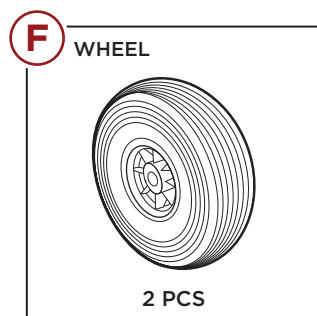
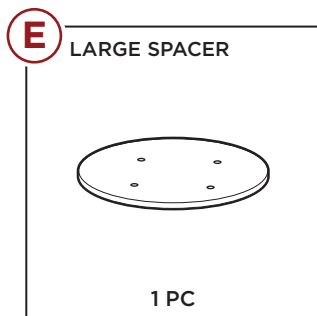
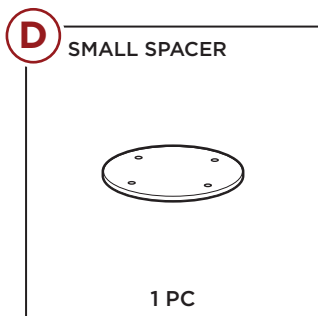
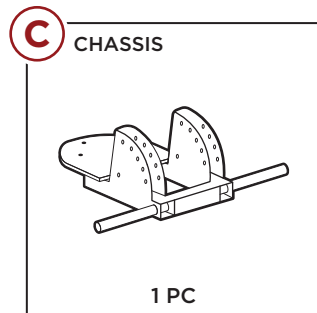
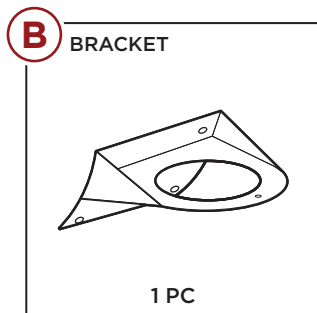
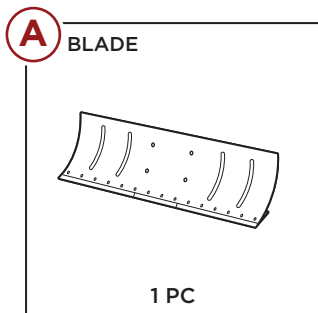
9

M8 NUT



2 PCS

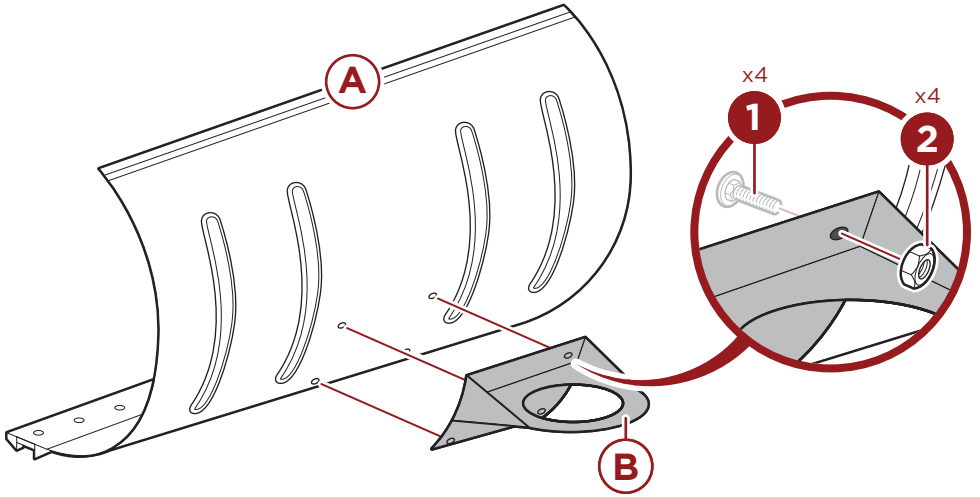
## PARTS



## PRODUCT ASSEMBLY

1

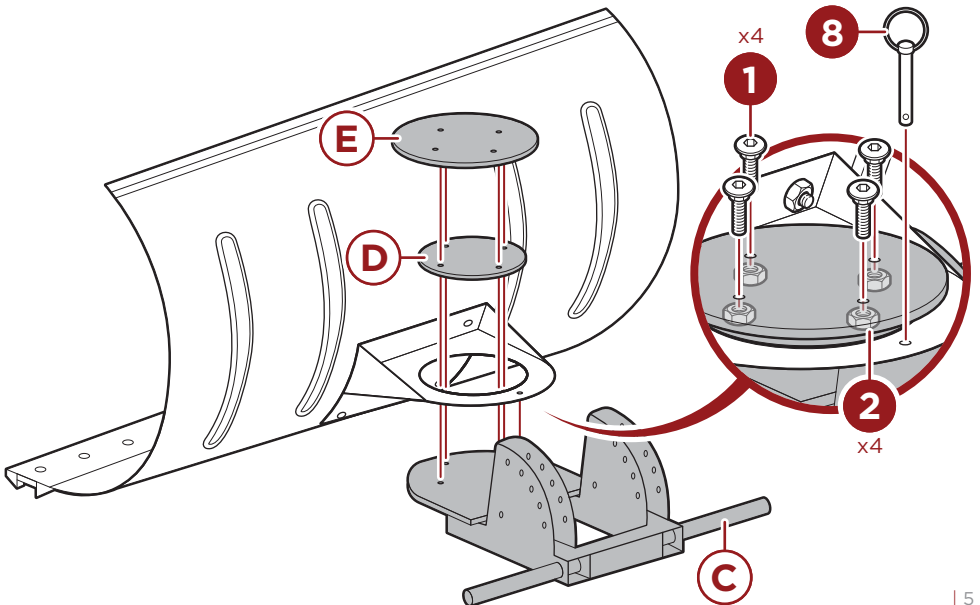
Attach the **part A blade** to the **part B bracket** with four **part 1 bolts** and four **part 2 nuts**. Install the bolts through the face of the blade, attach the nuts at the back of the bracket.



2

Place the **part C chassis** under the receiver hole of the **part B bracket**, then place the **part D small spacer** into the receiver hole and overlap it with the **part E large spacer**.

Secure the connection with one **part 8 bolt**, then fasten with four **part 1 bolts** and four **part 2 nuts**.

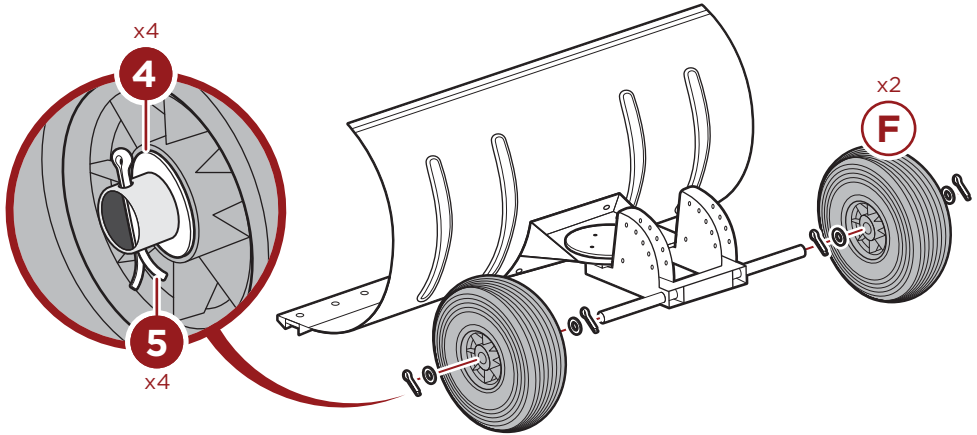


## PRODUCT ASSEMBLY

3

Insert two **part 5 cotter pins** into the bar of the **part C chassis**, then slide two **part 4 washers** onto the bar.

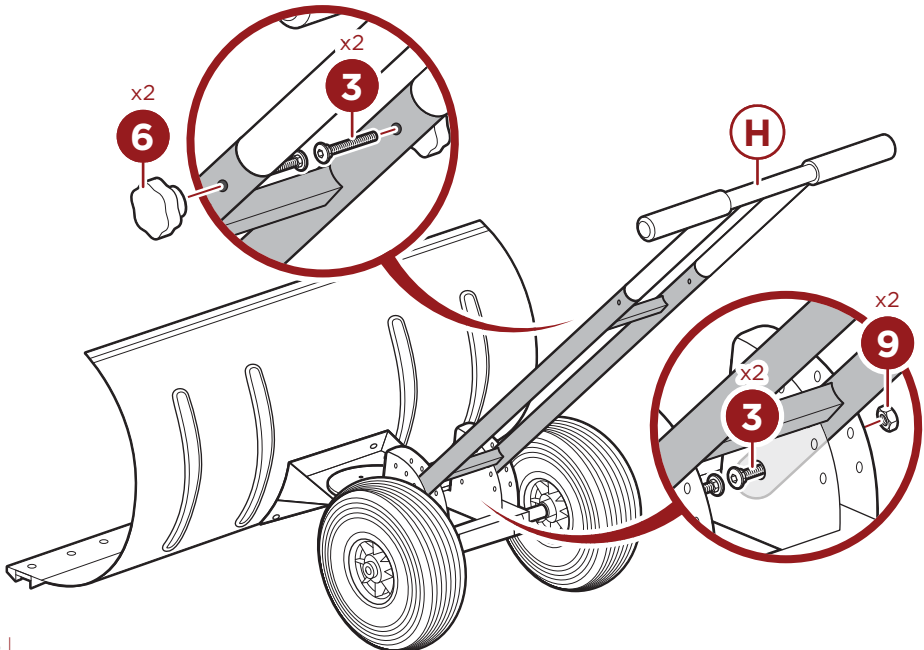
Slide two **part F wheels** onto the chassis bar, then slide on two **part 4 washers** and secure with two **part 5 cotter pins**.



4

Attach the **part G connecting rod** to the **part H handle** with two **part 3 bolts** and two **part 6 plastic receivers**.

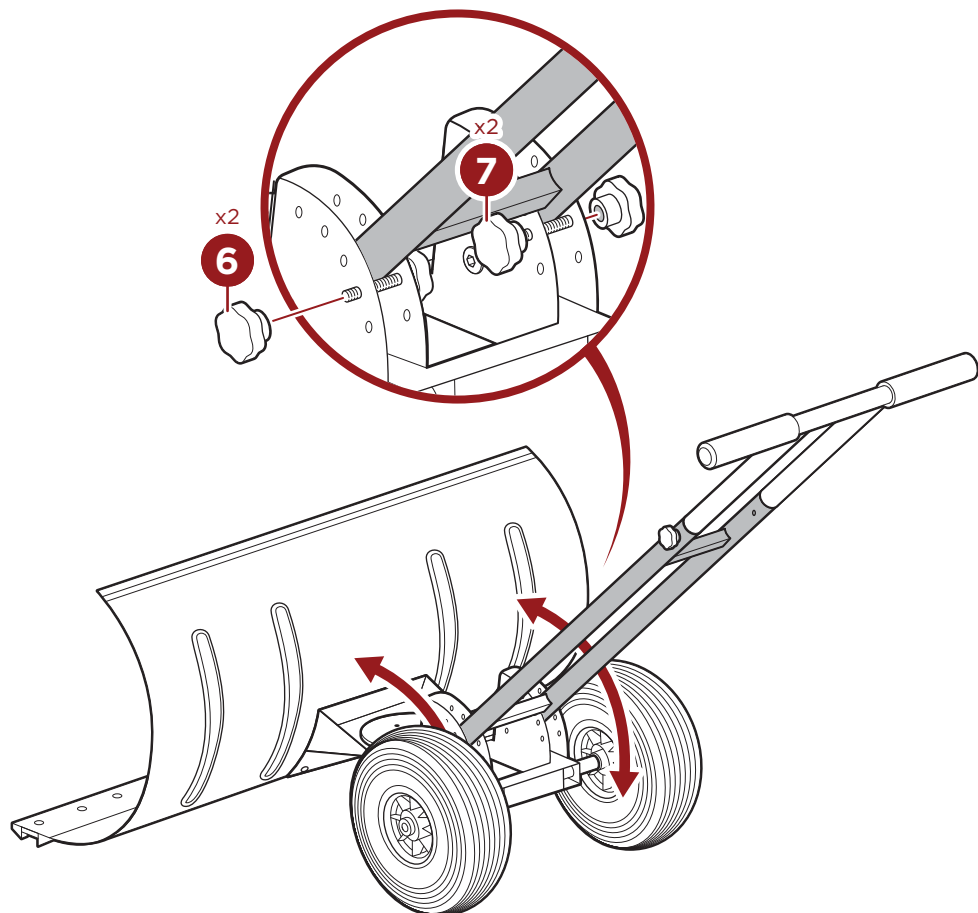
Place the end of the **part G connector rod** into the receivers on the **part C chassis**, then secure with two **part 3 screws** and two **part 9 nuts**



## PRODUCT ASSEMBLY

5

Choose your preferred angle and secure with two part **6** plastic receivers and two part **7** screws.





# HELP CENTER



Question about your product? We're here to help. Visit us at:

[help.bestchoiceproducts.com](http://help.bestchoiceproducts.com)



Chat Support



Product Inquiry



Orders FAQ



Product Assembly



Returns & Refunds

## PRODUCT WARRANTY INFORMATION

All items can be returned for any reason within 60 days of the receipt and will receive a full refund as long as the item is returned in its original product packaging and all accessories from its original shipment are included. All returned items will receive a full refund back to the original payment method. All returned items will not be charged a re-stocking fee.

All returned items require an RA (Return Authorization) number, which can only be provided by a Best Choice Products Customer Service Representative when the return request is submitted. Items received without an RA may not be accepted or may increase your return processing time. Once an item has been received by Best Choice Products, refunds or replacements will be processed within 5 business days.

All returns must be shipped back to the Best Choice Products Return Center at the customer's expense. If the reason for return is a result of an error by Best Choice Products then Best Choice Products will provide a pre-paid shipping label via email. Boxes for return shipping will not be provided by Best Choice Products, and is the customer's responsibility to either use the original shipping boxes or purchase new boxes.

Pictures may be required for some returns to ensure an item is not damaged prior to its return. Items returned are not considered undamaged until they are received by Best Choice Products and verified as such. All damages to items are the customer's responsibility until the item has been received by and acknowledged by Best Choice Products as undamaged.

© Best Choice Products, Inc. All rights reserved. Distributed by Best Choice Products, Inc. Newport Beach, CA 92660



## WARNING

Manufacturer and seller expressly disclaim any and all liability for personal injury, property damage or loss, whether direct, indirect, or incidental, resulting from the incorrect attachment, improper use, inadequate maintenance, unapproved modification, or neglect of this product.