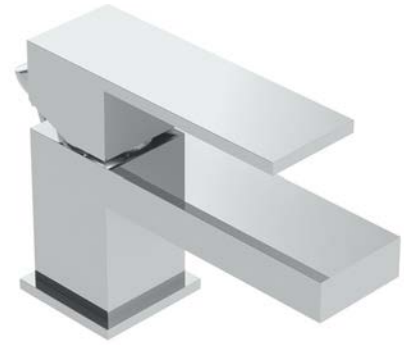








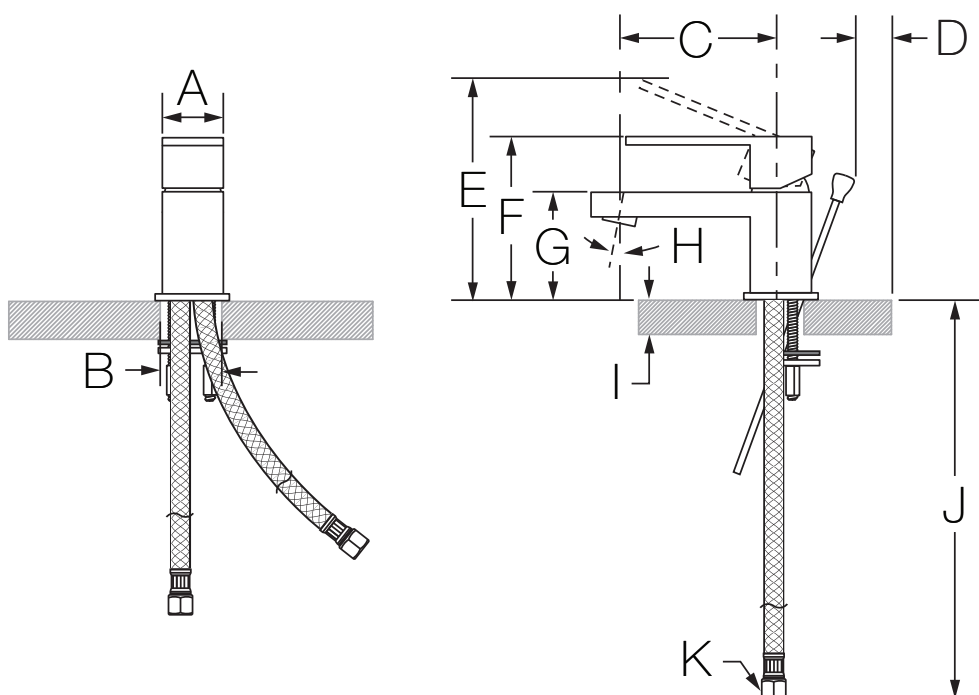
Location:



SLS-3622-1.5
Single Handle Lavatory Faucet
Specification Submittal

<p>Model Numbers</p>	<p>Feature Highlights</p>
<p><input type="checkbox"/> SLS-3622-1.5 <i>Single Handle Lavatory Faucet with lift rod and metal drain assembly</i></p>	<ul style="list-style-type: none"> • Single hole mount configuration • Quarter turn ceramic cartridge • 25 inch braided hose water supply connections • 4-1/2" height • Lift rod and metal drain assembly (SLS-3622-1.5) • Standard 1.5 gpm (5.7 L/min) flow rate • Faucet shall be metal construction, plated in standard polished chrome finish
<p>Finish Options/Modifications</p>	<p>Compliance</p>
<p><input type="checkbox"/> -0.5  <i>0.5 gpm (1.9 L/min) flow restrictor</i></p> <p><input type="checkbox"/> -1.0  <i>1.0 gpm (3.8 L/min) flow restrictor</i></p> <p><input type="checkbox"/> -DP4 <i>4" deck plate</i></p> <p><input type="checkbox"/> -BBZ <i>Brushed Bronze finish</i></p> <p><input type="checkbox"/> -MB <i>Matte Black finish</i></p> <p><input type="checkbox"/> -STN <i>Satin Nickel finish</i></p>	<p>-ASME A112.18.1/CSA B125.1</p> <p>-NSF/ANSI 61.9; NSF/ANSI 372</p> <p>-WaterSense 1.5 gpm</p> <div style="display: flex; justify-content: flex-end; align-items: center;">   </div>
<p>Note: Append appropriate -suffix to model number.</p>	<p>Warranty</p> <p>Limited Lifetime - to the original end purchaser in consumer/residential installations.</p> <p>5 Years - for industrial/commercial installations.</p> <p>Refer to www.symmons.com/warranty for complete warranty information.</p>

Dimensions



Measurements	
A	1-11/16", 43 mm
B	Hole Size: Min. Ø 1-1/4", 32 mm Max. Ø 1-1/2", 38 mm
C	4-5/8", 118 mm
D	Min. 1/2", 13 mm
E	6-9/16", 167 mm
F	4-1/2", 114 mm
G	3-1/2", 89 mm
H	12°
I	Deck Thickness Ref. Min. 7/8", 22 mm Max. 2-1/2", 64 mm
J	25", 635 mm
K	3/8" compression fitting

Note: Dimensions subject to change without notice.