

7 FIXED

Aluminum Frame with Velvet Wrap Specification Sheet



SUGGESTED SPECIFICATIONS: _____ projection screen(s), _____ (H) x _____ (W). The 7 Series Fixed Frame is a 3½" (89 mm) wide by 2" (51 mm) deep, mitered, velvet wrapped aluminum screen frame. When mounted, screen surface is ¾" (19 mm) from the wall. Screens are available in fixed sizes in aspect ratios: 16:9, 16:10, 2:35:1, and custom. Material choices are Black Diamond 1.4 and Black diamond .8. Material is attached via post and bungee system. Sizes are available up to 58.8125" (1,493 mm) high by 138" (3,505 mm) wide and are

shipped disassembled. 7 Series Fixed screens are wall mountable using steel mounting plates. Drawings and specifications contained within this specification sheet, and on the website, are generic and are not to be used for construction purposes. Please refer to a signed build drawing. If you require additional information not contained within this specification sheet, please contact us at sales@screeninnovations.com or 512-832-6939.

Theater HDTV (16:9) Format Dimensions

Viewing Area H x W (C x B)		Standard Diagonal (A)		Overall Dimensions H x W (E x D)		Approx. Ship. Wt.	
In.	Mm	In.	Mm	In.	Mm	Lbs.	Kg
39.25" X 69.75"	997 X 1,772	80"	2,032	46.5" X 77"	1,181 X 1,956	41	19
45.125" X 80.188"	1,146 X 2,037	92"	2,337	52.375" X 87.438"	1,330 X 2,221	45	20
49" X 87.188"	1,245 X 2,215	100"	2,540	56.25" X 94.438"	1,429 X 2,399	49	22
51.938" X 92.375"	1,319 X 2,346	106"	2,692	59.188" X 99.625"	1,503 X 2,530	51	23
53.938" X 95.875"	1,370 X 2,435	110"	2,794	61.188" X 103.125"	1,554 X 2,619	53	24
56.375" X 100.25"	1,432 X 2,546	115"	2,921	63.625" X 107.5"	1,616 X 2,731	55	25
58.813" X 104.563"	1,494 X 2,656	120"	3,048	66.063" X 111.813"	1,678 X 2,840	57	26

Wide (16:10) Format Dimensions

Viewing Area H x W (C x B)		Standard Diagonal (A)		Overall Dimensions H x W (E x D)		Approx. Ship. Wt.	
In.	Mm	In.	Mm	In.	Mm	Lbs.	Kg
42.375" X 67.813"	1,076 X 1,722	80"	2,032	49.625" X 75.063"	1,260 X 1,907	41	19
48.75" X 78"	1,238 X 1,981	92"	2,337	56" X 85.25"	1,422 X 2,165	46	21
53" X 84.813"	1,346 X 2,154	100"	2,540	60.25" X 92.063"	1,530 X 2,338	49	22
56.188" X 89.875"	1,427 X 2,283	106"	2,692	63.438" X 97.125"	1,611 X 2,467	51	23
58.313" X 93.25"	1,481 X 2,369	110"	2,794	65.563" X 100.5"	1,665 X 2,553	53	24

CinemaScope (2:35:1) Format Dimensions

Viewing Area H x W (C x B)		Standard Diagonal (A)		Overall Dimensions H x W (E x D)		Approx. Ship. Wt.	
In.	Mm	In.	Mm	In.	Mm	Lbs.	Kg
43.063" X 101.188"	1,094 X 2,570	110"	2,794	50.313" X 108.438"	1,278 X 2,754	51	23
47" X 110.438"	1,194 X 2,805	120"	3,048	54.25" X 117.688"	1,378 X 2,989	55	25
52.063" X 122.375"	1,322 X 3,108	133"	3,378	59.313" X 129.625"	1,507 X 3,292	71	32
55.625" X 130.688"	1,413 X 3,319	142"	3,607	62.875" X 137.938"	1,597 X 3,504	76	34
58.75" X 138"	1,492 X 3,505	150"	3,810	66" X 145.25"	1,676 X 3,689	80	36

PRODUCT NOTES

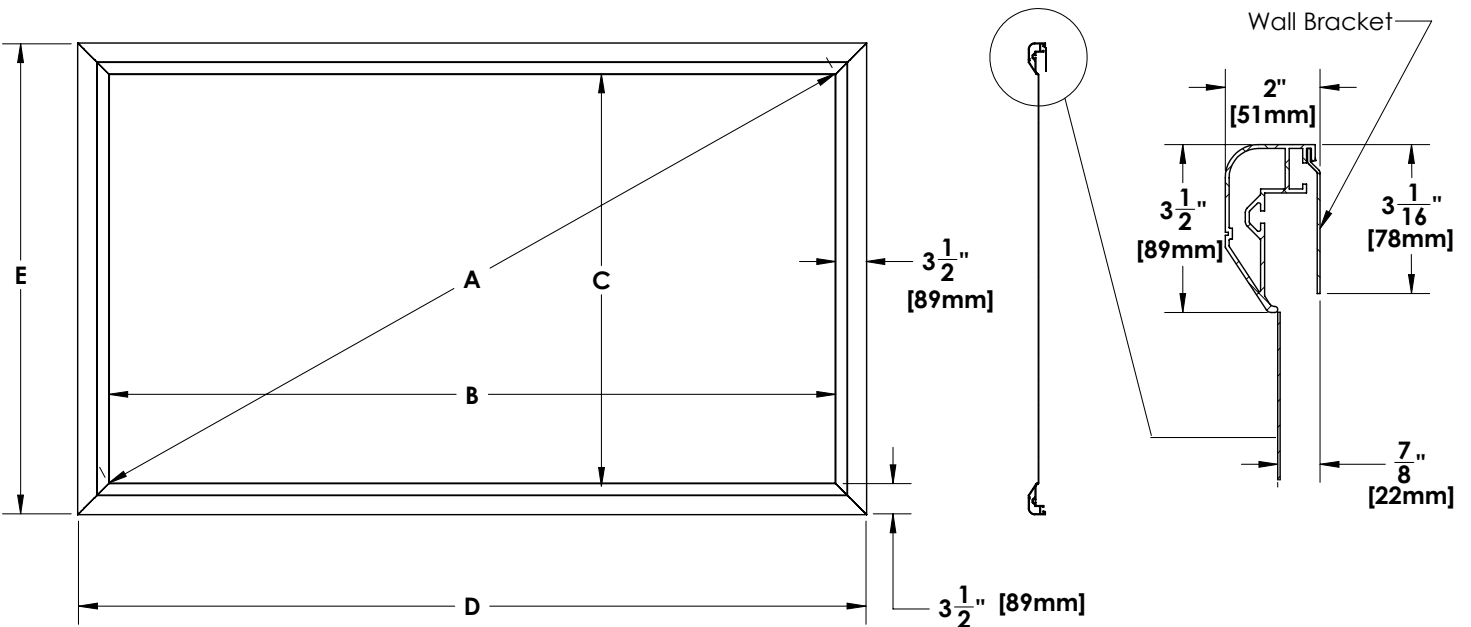
- Frame is 3½" (89 mm) wide by 2" (51 mm) deep,
- Aspect ratios Available: 16:9, 16:10, 2:35:1, and Custom.
- Screen can be constructed within 1" (25 mm) increments diagonally.
- Bungee tensioning system.
- For dimensions not listed, please see our online screen calculator.
<http://dash.screeninnovations.com/screencalculator>

WHEN ORDERING, MARK APPROPRIATE SELECTIONS

1. Select Size from Charts.
2. Select Screen Material:
 - Black Diamond 1.4
 - Black Diamond .8
3. Screen Options:
 - Stand
 - Curve

MATERIAL INFORMATION

- All surfaces will be seamless.
- Max viewing height 58.8125" (1,493 mm)



9715-B Burnet Rd. Ste 400
 Austin, TX 78758
 512-832-6939
screeninnovations.com

SI7FSS2.1
 © 2017 Screen Innovations.

Project Name: _____

Architect: _____

Contractor: _____ Phone _____

Reseller: _____ Phone _____