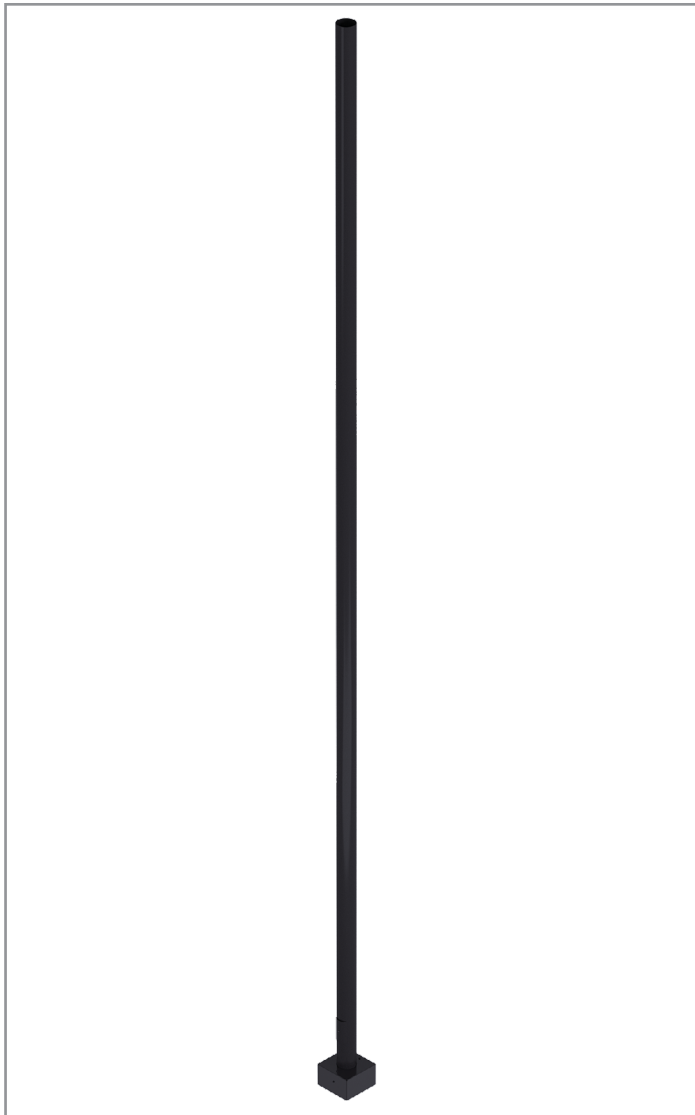


Project		Catalog #		Type	
Prepared by		Notes		Date	



Cooper Poles

Round Straight Steel - RSS

Anchor Base Installation

Product Certifications & Features



Base Cover



- 2-piece metal cover, painted to match pole
- Optional ABS cover, 3 basic finishes
- Corrosion resistant hardware

Handhole



- Handhole Assembly, 3"x5" for 5"+ shaft, 2"x4" for 4" shaft, 1.6" x 3.5" for 3" shaft. 14" minimum above base
- Grounding provision Included
- Extra handhole locations available
- Metal handhole cover, painted to match pole
- Optional ABS Handhole cover, 3 basic finishes
- Corrosion resistant hardware
- Optional vandal resistant mechanism

Finish



BK - Black, Smooth



BZ - Bronze, Smooth

Featured Colors

- Highly durable TGIC polyester powder paint
- ASTM D3359 5B classification
- Optional hot-dipped galvanized pre-treat
- 10+ colors, custom finishes available

Domestic Preferences

BABA option supports both the USA Buy America (BAA) and Infrastructure Investment and Jobs Act (IIJA) domestic preference procurement requirements.

Quick Facts

- Weldable grade carbon steel
- One-year limited warranty
- Fully galvanized anchor bolts & template included

Interactive Menu

- Ordering Information [page 2](#)
- Base Plate Details [page 3](#)
- Mounting Type Details [page 4](#)
- Options Details [page 5](#)
- Certification & Additional Details [Page 7](#)
- EPA Data [page 8](#)
- Considerations [page 14](#)

Ordering Information

Sample Number: RSS-10-4-11-AB-T23S-BK

Domestic Preference	Product Family	Mounting Height(ft) ¹⁸		Shaft Size-Wall Thickness	Installation Type
Blank = None BABA = Build America, Buy America funding ¹	RSS = Round Straight Steel	5 = 5' 8 = 8' 10 = 10' 12 = 12' 14 = 14' 15 = 15' 16 = 16' 18 = 18' 20 = 20' 22 = 22'	25 = 25' 30 = 30' 35 = 35'	3-11 = 3", 11ga(.120") ⁵ 4-11 = 4", 11ga (.120") ⁶ 4-7 = 4", 7ga(.188") ⁶ 45-11 = 4.5, 11ga(.120") ⁷ 45-7 = 4.5", 7ga (.188") ⁷ 5-11 = 5", 11ga(.120") ⁷ 5-7 = 5", 7ga(.188") 5-3 = 5", 3ga(.250") 6-7 = 6", 7ga(.188") 6-3 = 6", 3ga (.250") ⁹ 658-2 = 6-5/8", 2ga(.280") ¹⁰	AB = Anchor Base Installation

Mounting Types	Pre-Finish	Finish	Options (Add as Suffix)
<p>[blank] = no mounting defined</p> <p>T23S = 2-3/8" OD x 4" long tenon</p> <p>T23L = 2-3/8" OD x 6" long tenon</p> <p>T300 = 3" OD x 4" long tenon</p> <p>T350 = 3-1/2" OD x 5" long tenon</p> <p>T40S = 4" OD x 6" long tenon</p> <p>T40L = 4" OD x 10" long tenon</p> <p>M1 = Single M-drilling¹⁹</p> <p>M2 = M-drilling, 2 at 180°¹⁹</p> <p>M3 = M-drilling, 3 at 120°¹⁹</p> <p>M4 = M-drilling, 4 at 90°¹⁹</p> <p>M5 = M-drilling, 2 at 90°¹⁹</p> <p>M6 = M-drilling, 3 at 90°¹⁹</p> <p>M7 = M-drilling, 2 at 120°¹⁹</p> <p>N1 = Single N-drilling¹⁹</p> <p>N2 = N-drilling, 2 at 180°¹⁹</p> <p>N3 = N-drilling, 3 at 120°¹⁹</p> <p>N4 = N-drilling, 4 at 90°¹⁹</p> <p>N5 = N-drilling, 2 at 90°¹⁹</p> <p>N6 = N-drilling, 3 at 90°¹⁹</p> <p>N7 = N-drilling, 2 at 120°¹⁹</p> <p>S13 = CLS Simplex fitting for 13" rise to support 2' arm¹¹</p> <p>S15 = CLS Simplex fitting for 15" rise to support 2.5' arm¹¹</p> <p>S19 = CLS Simplex fitting for 19" rise to support 4' arm¹¹</p> <p>S24 = CLS Simplex fitting for 24" rise to support 6' arm¹¹</p> <p>S30 = CLS Simplex fitting for 30" rise to support 7.5' arm¹¹</p>	<p>[blank] = none</p> <p>GV = Galvanized¹⁰</p>	<p>[Blank] = none¹²</p> <p>WTS = Summit White, smooth</p> <p>WHT = New White, textured</p> <p>WH = New White, smooth</p> <p>TWS = True White, smooth</p> <p>BZ = Bronze, smooth</p> <p>BZT = Bronze, textured</p> <p>CB = Carbon Bronze</p> <p>DP = Dark Platinum</p> <p>GN = Hartford Green</p> <p>VGS = Verde Green, smooth</p> <p>VG = Verde Green, textured</p> <p>SY = Silver</p> <p>GM = Graphite Metallic</p> <p>AP = Grey</p> <p>APT = Grey, textured</p> <p>BK = Black, smooth</p> <p>BT = Black, textured</p> <p>XX = Custom color¹³</p> <p>RALxxxx = RAL####, smooth or textured¹³</p>	<p>CO/[ABCD][z] = Convenience Outlet less electrical^{14,15}</p> <p>ECO/[ABCD][z] = Convenience Outlet with 20A GFCI plug 125V AC and in-use electrical cover (in hardware kit)^{14,15}</p> <p>ITC050/[ABCD][z] = 1/2" coupling - internal thread^{14,16}</p> <p>ITC075/[ABCD][z] = 3/4" coupling - internal thread^{14,16}</p> <p>ITC100/[ABCD][z] = 1" coupling - internal thread^{14,16}</p> <p>ITC125/[ABCD][z] = 1-1/4" coupling - internal thread^{14,16}</p> <p>ITC150/[ABCD][z] = 1-1/2" coupling - internal thread^{14,16}</p> <p>ITC200/[ABCD][z] = 2" coupling - internal thread^{14,16}</p> <p>ETC050/[ABCD][z] = 1/2" coupling - external thread^{14,16}</p> <p>ETC075/[ABCD][z] = 3/4" coupling - external thread^{14,16}</p> <p>ETC100/[ABCD][z] = 1" coupling - external thread^{14,16}</p> <p>ETC125/[ABCD][z] = 1-1/4" coupling - external thread^{14,16}</p> <p>ETC150/[ABCD][z] = 1-1/2" coupling - external thread^{14,16}</p> <p>ETC200/[ABCD][z] = 2" coupling - external thread^{14,16}</p> <p>EHH/[ABCD][z] = Extra Handhole with grounding provision¹⁴</p> <p>VDF = Vibration Dampener - Factory Installed for 2nd mode vibration</p> <p>INT = Interior coating (8 feet from base inside pole; 3 mils of epoxy or "tar")</p> <p>BCP-ABS = ABS Base Cover (black, bronze, or white - closest match to chosen finish)</p> <p>HCP-ABS = ABS Handhole Cover (black, bronze, or white - closest match to chosen finish)</p> <p>TR = Tamper Resistant handhole cover(s)</p> <p>CMB-A/[ABCD][z] = Camera Mounting Bracket "A" with 1/2" hole¹⁴</p> <p>BMODxxxx = Base Modification (where xxxx is reference number)¹³</p> <p>UL = UL listed with label (includes NEC)</p> <p>CSA = CSA listed with label</p> <p>DP1 = DuraPro Level 1 extended corrosion resistance premium finish</p> <p>DP3 = DuraPro Level 3 extended corrosion resistance premium pre-treatment & finish¹⁷</p> <p>L/AB = Less Anchor Bolts and template</p> <p>EAB = Anchor Bolts and Template Shipped Early (premium freight included)</p>

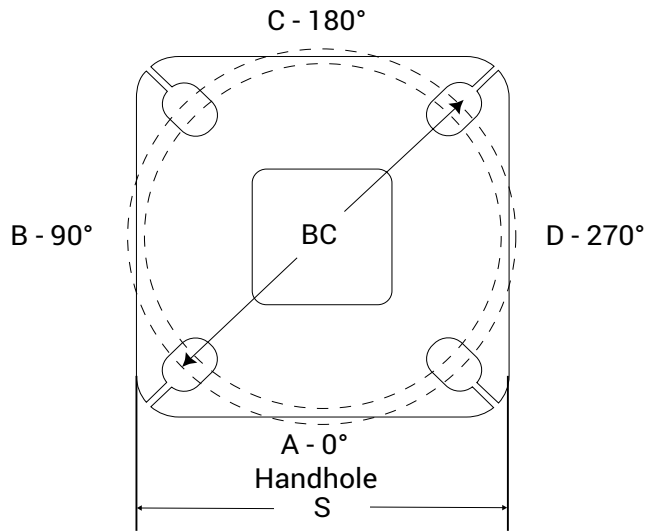
- NOTES:**
- Only product configurations with this prefix are built to be compliant with the Buy America Build America Act (BABA). BABA is the minimum government compliance requirement for the Buy America Build America standards which is part of the Infrastructure and Investment Jobs Act (IIJA). Individual government agencies may have more stringent compliance standards. Please refer to the [DOMESTIC PREFERENCES](#) website or consult the CLS Domestic Preferences team for more information. Components shipped separately may be separately analyzed under domestic preference requirements.
 - Up to 20' mounting height.
 - Up to 25' mounting height.
 - Up to 30' mounting height.
 - 20' mounting height and above.
 - Up to 35' mounting height.
 - CLS Simplex arm ordered separately. Reference arm specification sheet, SMP arm.
 - Available only with galvanized pre-finish.
 - Requires approval. Additional lead times may apply.
 - Specify quadrant A, B, C, or D using mounting details, pg. 3. Specify height [z] in inches (Min = 12" above base. Max = 6" below pole mounting height). Consult factory for exceptions.
 - When location not specified by "[ABCD][z]", the default location will be A48 (same side as handhole, 4-feet from base).
 - Specify each one required, maximum of 4, with it's [ABCD][z] location.
 - Requires -GV = Galvanization option.
 - Refer to EPA tables for published size, lengths, and wall thicknesses. Shorter length available in 1/2-foot increments.
 - Not available 3-11.

Accessories (Order Separately)¹

- BCP-RSS-xxxxxx = premium 2pc metal base cover²
- HCP-RSS-xxxxxx = premium metal handhole cover²
- BCABS-RSS-xxxxxx = 2pc ABS base cover (BK, BZ, or WH finish)²
- HCABS-RSS-xxxxxx = ABS handhole cover (BK, BZ, or WH finish)²
- VDF-RSS-xxxxxxx = vibration dampener³
- ABKIT-RSS-xxxxx-STD = Anchor Bolt Kit and template⁴
- PTC-RSS-xxxxx = Pole cap assembly, ABS smooth black⁴
- GRD-KIT = Electrical grounding kit
- DRL-PLUG-KIT-N4/M4-STD = N4/M4 drilling plugs - standard color (black)

- NOTES:**
- Add 'BABA-' as prefix for BABA-compliant accessories
 - xxxxxx = shaft size, wall thickness, and finish (ex. BCP-RSS-3-11-GM or BCABS-RSS-3-11-BZ)
 - xxxxxxx = mounting height, shaft size, and wall thickness (ex. VDF-RSS-20-3-11)
 - xxxxx = shaft size and wall thickness (ex. ABKIT-RSS-3-11-STD, PTC-RSS-3-11)

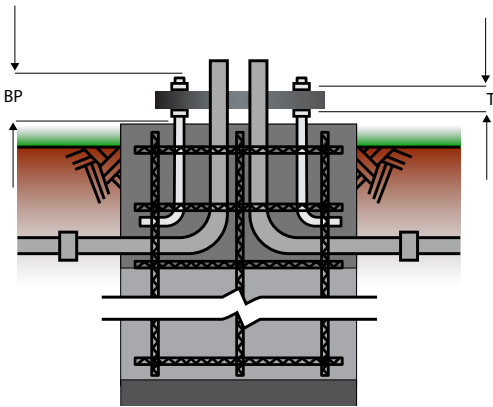
Mounting Plate Details



A/B/C/D denote pole quadrants. Handhole always at 'A' or 0°

Shaft size & gauge	Base Size		Anchor Bolt Details		
	Square Size (S)	Thickness (T)	Bolt Circle (BC)	Bolt Size	Bolt projection (BP)
3-11, 4-11, 4-7, 45-11, and 5-11	8	0.75	8.0 - 9.0	.75 x 17x 3	3.0 - 3.5
45-7, 5-7, 5-3	10	1.00	9.5 - 10.5	1 x 36 x 4	3.5 - 4.0
6-7, 6-3	11	1.00	10.5 - 11.5	1 x 36 x 4	3.5 - 4.0
658-2	11	1.25	10.5 - 11.5	1.25 x 42 x 6	4.5 - 5.0

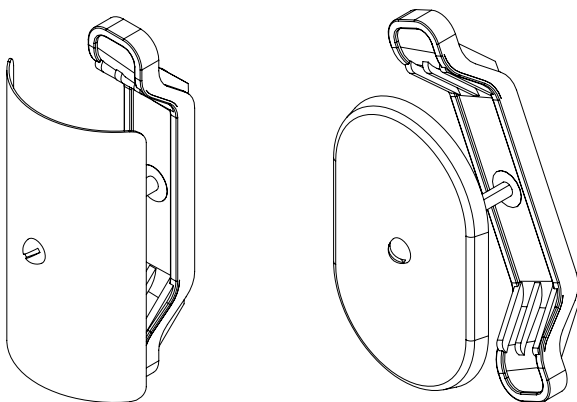
Dimensions in inches



NOTE:
If custom base option required, please specify BMODxxxx option and provide drawing. Approval required, additional lead times may apply. Premium metal base cover included.

Handhole Assembly Details

Includes Cover, locking bar, gasket, and bolt



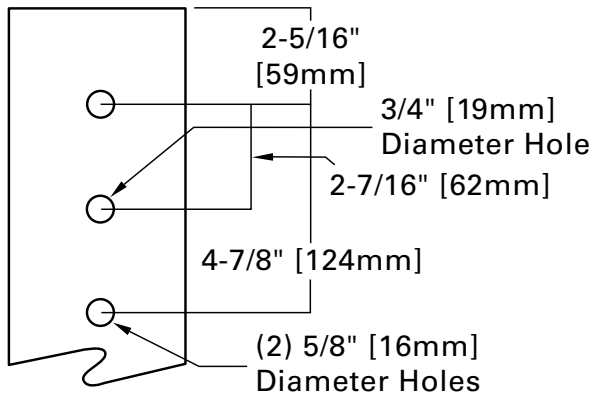
4" Shaft - 2" x 4"

3" Shaft - 1.6" x 3.5"

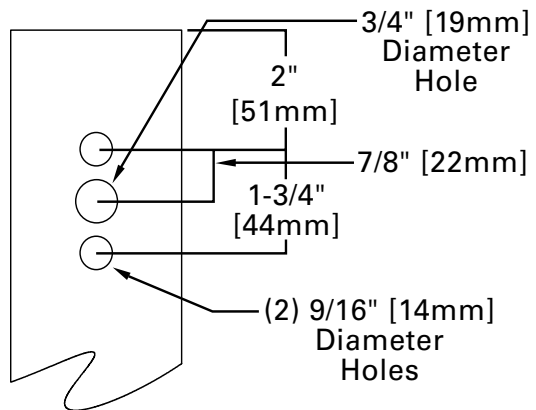
5"+ Shafts - 3" x 5"

Drill Pattern Details

TYPE "M"



TYPE "N"



Single
M1, N1



2 at 180°
M2, N2



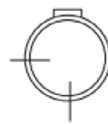
3 at 120°
M3, N3



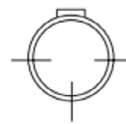
4 at 90°
M4, N4



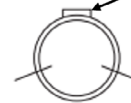
2 at 90°
M5, N5



3 at 90°
M6, N6



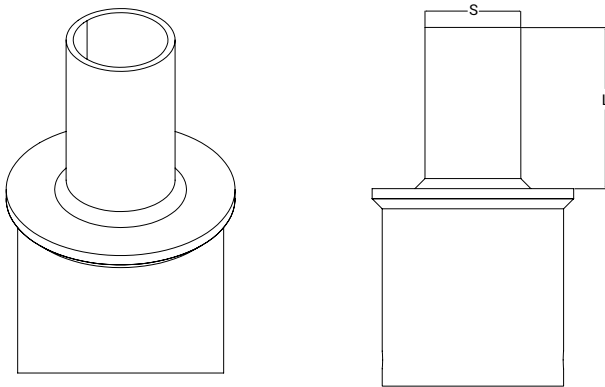
2 at 120°
M7, N7



Denotes
handhole
location

Tenon Adapter Details

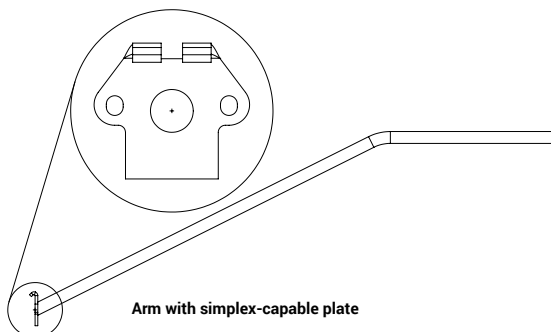
Welded to top of pole with .25" thick plate



Tenon Adapter	Shaft Size - S (in.)	Length - L (in.)
T23S	2-3/8"	4"
T23L	2-3/8"	6"
T300	3"	4"
T350	3.5"	5"
T40S	4"	6"
T40L	4"	10"

CLS Simplex Fitting Details

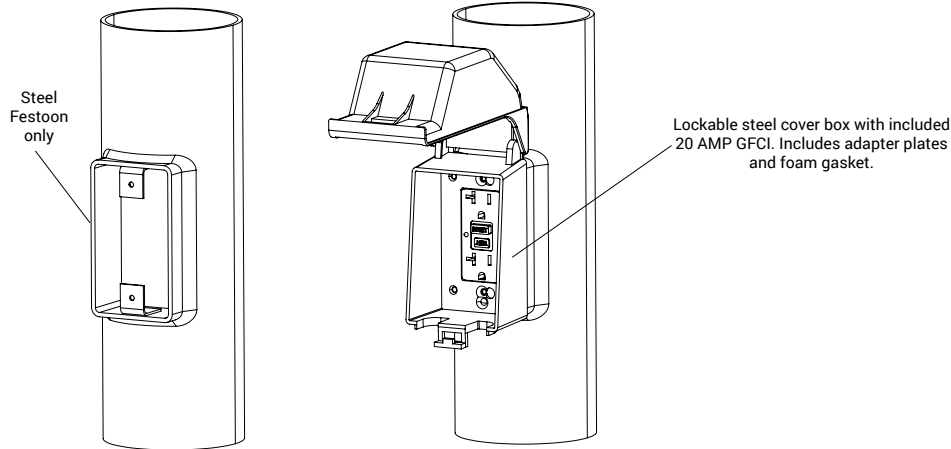
Simplex fitting welded to pole to match simplex-ready arms. Positioning on pole based on preferred arm length and rise.



Simplex Option	Arm Length	Arm Rise
S13	2'	13"
S15	2.5'	15"
S19	4'	19"
S24	6'	24"
S30	7.5'	30"

Convenience Outlet Details

Steel provision welded to pole for use with GFCI, duplex, and single receptacles.



CO/[ABCD][z] - Convenience Outlet
Less Electrical ^{1,2}

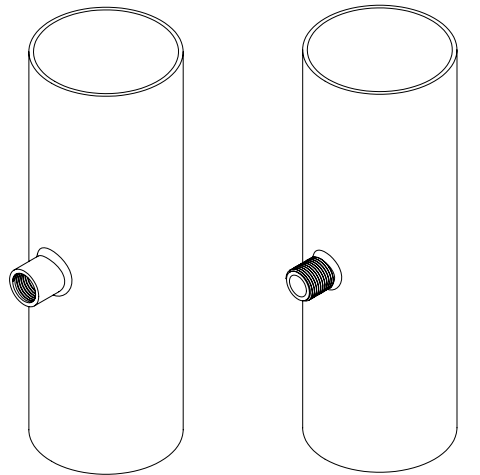
ECO/[ABCD][z] - Convenience Outlet
with 20A GFCI ^{1,2}

NOTES:

1. Specify quadrant A, B, C, or D using mounting details, pg. 3. Specify height [z] in inches (Min = 12" above base. Max = 6" below pole mounting height). Consult factory for exceptions
2. When location not specified by "[ABCD][z]", the default location will be A48 (same side as handhole, 4-feet from base).

Couplings (Internal & External Threads) Details

Steel provision welded to pipe for additional luminaire/accessory mounting needs.



Internal thread coupling ^{1,2}

External thread coupling ^{1,2}

Internal Coupling	Length (in.)	OD (in.)	ID
ITC050	1.56"	1.07"	1/2" NPT
ITC075	1.63"	1.32"	3/4" NPT
ITC100	2.00"	1.59"	1" NPT
ITC125	2.06"	1.91"	1-1/4" NPT
ITC150	2.06"	2.21"	1-1/2" NPT
ITC200	3.13"	2.76"	2" NPT

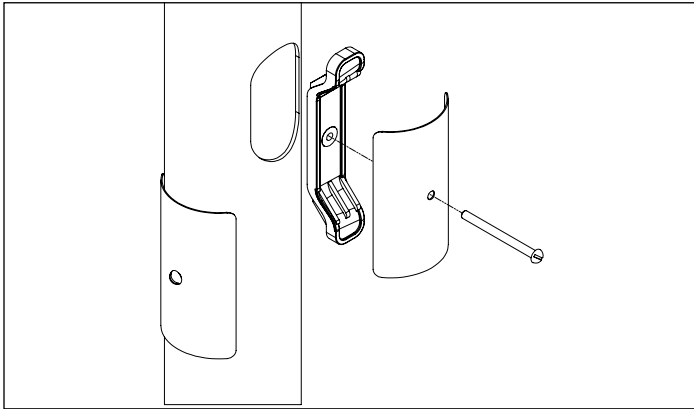
External Coupling	Length (in.)	OD	ID (in.)
ETC050	1.13"	1/2" NPT	.62"
ETC075	1.38"	3/4" NPT	.82"
ETC100	1.50"	1" NPT	1.05"
ETC125	1.63"	1-1/4" NPT	1.38"
ETC150	1.75"	1-1/2" NPT	1.61"
ETC200	2.00"	2" NPT	2.07"

NOTES:

1. Specify quadrant A, B, C, or D using mounting details, pg. 3. Specify height [z] in inches (Min = 12" above base. Max = 6" below pole mounting height). Consult factory for exceptions.
2. Specify each one required, maximum of 4, with it's [ABCD][z] location.

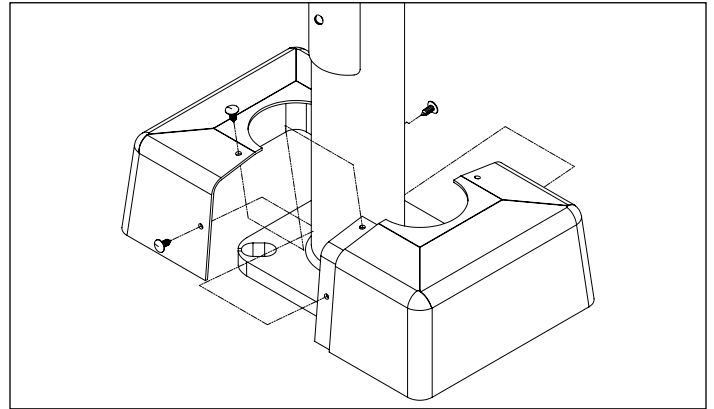
Extra Handhole with Cover Details

Handhole cover with hardware (specify pole quadrant and height in CAT logic selection)



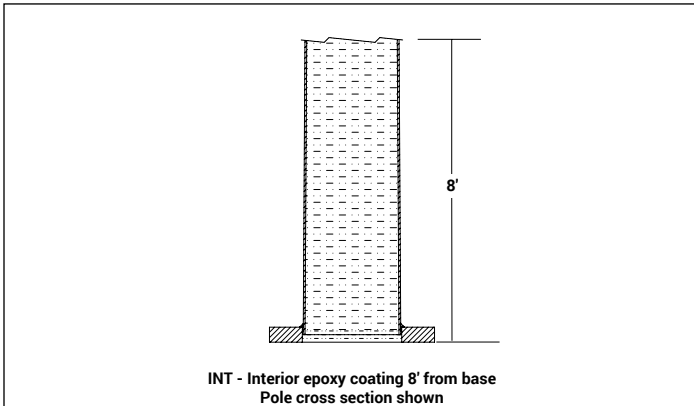
2-Piece Base Cover Details

2-Piece ABS Plastic Base Cover with Press-in ABS Hardware (offered in Bronze, Black, and White only – color may not exactly match the specified pole)



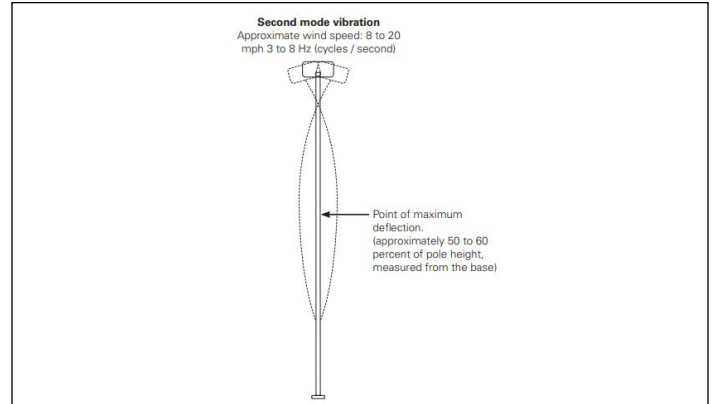
Internal Coating Details

8 feet maximum from base inside pole; 3 mils of epoxy or "tar"



Vibration Dampener Details

Factory installed for minimizing 2nd mode vibration ¹

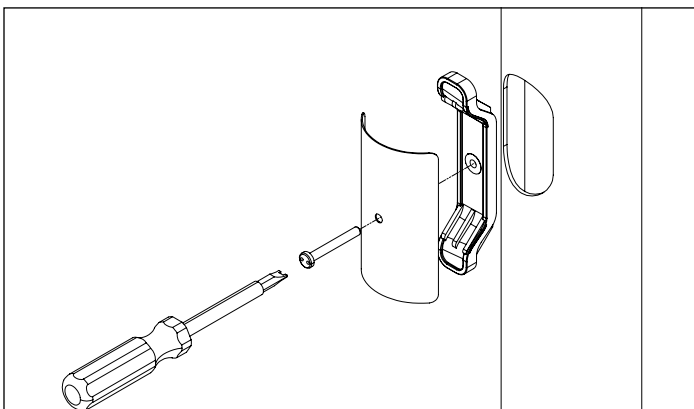


NOTES:

1. CLS employs a factory-installed chain dampener encased in plastic tubing. For details on vibration mitigation, please see CLS White Paper [WP513001EN](#)

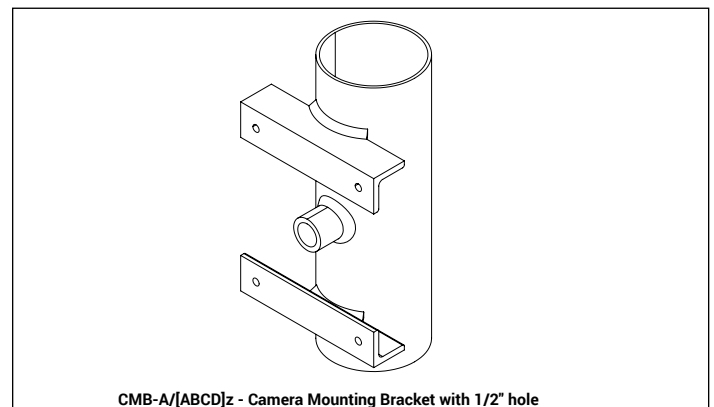
Tamper Resistant Handhole Cover Details

Premium metal handhole cover with included tamper-resistant fastener and screwdriver



Camera Mounting Bracket Details


Welded bracket provision for camera mounting



NOTES:

1. Specify quadrant A, B, C, or D using mounting details, pg. 3. Specify height [z] in inches.
2. Drill pattern matches Axis® TQ5001-E pole mount for M55, P56, and Q60 cameras. Stainless steel 1/4-20 bolts with nylon lock nut recommended.
3. For any other camera application, please specify via drawing. Additional lead-times may apply.

Certification Details

Certification	Description
	CSA: CSA® listed with label
	UL: UL® listed with label (includes NEC)

Finish Options

Finish	Description
DP1	DuraPro Level 1 -- Premium finish minimizes corrosion risk, extends finish life, and improves adhesion
DP3	DuraPro Level 3 -- Galvanization after fabrication plus premium finish provides superior corrosion resistance, adhesion, and extended finish life

Anchor Bolt Shipping Options (Add as suffix)

Standard Kits = 4 fully galvanized anchor bolts, 8 galvanized nuts & washers, and template

Option	Description
L/AB	Less Anchor Bolts and Template Kit <i>Ex. RSS-10-3-11-AB-BK-L/AB</i>
EAB	Anchor Bolts and Template Kit Shipped Early (Supports starting the foundation quickly, premium freight included) <i>Ex. RSS-10-3-11-AB-BK-EAB</i>

Additional Services Offered

Services are offered to support the engineering and design community when required.

Service	Description
DSGN-FOUNDATION-[XX] ¹	Foundation Design; per pole type, per revision
DSGN-PE-POLE-[XX] ¹	Professional Engineering Stamped Drawings; per pole type, per revision
DSGN-POLE-CALCULATIONS ²	Pole Calculations; per pole type, per revision
DSGN-POLE-SUBMITTALS ²	Pole submittal Drawings; per pole type per revision

NOTES:

1. XX to be replaced by state abbreviation (EX. DSGN-FOUNDATION-GA).
2. Original and first revision free of charge.

AASHTO Certification Data

ASCE 7-93 EPA [SQ. FT] WITH 1.3 GUST (COMMONLY USED STANDARDS) ^{1, 2, 3, 4}

Catalog Number	80 MPH		90 MPH		100 MPH		110 MPH	
	Max EPA (sq. ft)	Max Fixture Load (lb)	Max EPA (sq. ft)	Max Fixture Load (lb)	Max EPA (sq. ft)	Max Fixture Load (lb)	Max EPA (sq. ft)	Max Fixture Load (lb)
RSS-5-3-11-AB	22.68	567	17.8	445	14.31	357.75	11.73	293.25
RSS-5-4-11-AB	41.86	1046.5	32.91	822.75	26.55	663.75	21.9	547.5
RSS-10-3-11-AB	10.38	259.5	7.96	199	6.23	155.75	4.95	123.75
RSS-10-4-11-AB	19.7	492.5	15.24	381	12.13	303.25	9.94	248.5
RSS-10-4-7-AB	24.15	603.75	18.76	469	14.98	374.5	12.29	307.25
RSS-10-5-11-AB	29.04	726	22.82	570.5	18.39	459.75	15.12	378
RSS-10-5-7-AB	42.95	1073.75	33.81	845.25	27.29	682.25	22.48	562
RSS-10-45-11-AB	25.53	638.25	19.92	498	16.03	400.75	13.17	329.25
RSS-10-45-7-AB	37.64	941	29.49	737.25	23.79	594.75	19.58	489.5
RSS-10-6-7-AB	70.07	1751.75	55.24	1381	44.65	1116.25	36.83	920.75
RSS-15-3-11-AB	4.58	114.5	3.31	82.75	2.4	60	1.73	43.25
RSS-15-4-11-AB	9.28	232	6.92	173	5.31	132.75	4.24	106
RSS-15-4-7-AB	11.76	294	8.88	222	6.9	172.5	5.55	138.75
RSS-15-5-11-AB	14.04	351	10.88	272	8.69	217.25	7.08	177
RSS-15-5-7-AB	21.47	536.75	16.75	418.75	13.44	336	11	275
RSS-15-5-3-AB	31.14	778.5	24.39	609.75	19.63	490.75	16.12	403
RSS-15-45-11-AB	12.29	307.25	9.37	234.25	7.41	185.25	6.02	150.5
RSS-15-45-7-AB	18.75	468.75	14.46	361.5	11.54	288.5	9.43	235.75
RSS-15-6-7-AB	36.06	901.5	28.33	708.25	22.83	570.75	18.77	469.25
RSS-20-3-11-AB	2.11	52.75	1.18	29.5	0.5	12.5	0	0
RSS-20-4-11-AB	5.24	131	3.5	87.5	2.31	57.75	1.52	38
RSS-20-4-7-AB	7.23	180.75	5.07	126.75	3.58	89.5	2.57	64.25
RSS-20-5-11-AB	8.44	211	6.13	153.25	4.74	118.5	3.75	93.75
RSS-20-5-7-AB	13.98	349.5	10.51	262.75	8.29	207.25	6.68	167
RSS-20-5-3-AB	21.21	530.25	16.22	405.5	12.92	323	10.5	262.5
RSS-20-45-11-AB	7.36	184	5.17	129.25	3.75	93.75	2.92	73
RSS-20-45-7-AB	12.17	304.25	8.97	224.25	6.83	170.75	5.47	136.75
RSS-20-6-7-AB	24.81	620.25	19.34	483.5	15.46	386.5	12.61	315.25
RSS-20-6-3-AB	32.9	822.5	25.73	643.25	20.64	516	16.89	422.25
RSS-20-658-2-AB	43.34	1083.5	33.98	849.5	27.32	683	22.42	560.5
RSS-25-4-11-AB	2.42	60.5	1.05	26.25	0.11	2.75	0	0
RSS-25-4-7-AB	4.14	103.5	2.41	60.25	1.22	30.5	0.41	10.25
RSS-25-5-11-AB	4.58	114.5	2.79	69.75	1.96	49	1.38	34.5
RSS-25-5-7-AB	8.98	224.5	6.27	156.75	4.78	119.5	3.71	92.75

*Continued on next page

Catalog Number	80 MPH		90 MPH		100 MPH		110 MPH	
	Max EPA (sq. ft)	Max Fixture Load (lb)	Max EPA (sq. ft)	Max Fixture Load (lb)	Max EPA (sq. ft)	Max Fixture Load (lb)	Max EPA (sq. ft)	Max Fixture Load (lb)
RSS-25-5-3-AB	14.72	368	10.81	270.25	8.45	211.25	6.75	168.75
RSS-25-45-11-AB	3.95	98.75	2.22	55.5	1.13	28.25	0.69	17.25
RSS-25-45-7-AB	7.76	194	5.23	130.75	3.58	89.5	2.71	67.75
RSS-25-6-7-AB	17.51	437.75	13.47	336.75	10.63	265.75	8.55	213.75
RSS-25-6-3-AB	24.12	603	18.69	467.25	14.86	371.5	12.05	301.25
RSS-30-5-11-AB	4	100	2.8	70	2	50	0	0
RSS-30-5-7-AB	4.7	117.5	2.72	68	1.86	46.5	1.26	31.5
RSS-30-5-3-AB	9	225	6.12	153	4.61	115.25	3.53	88.25
RSS-30-45-11-AB	1.15	28.75	0	0	0	0	0	0
RSS-30-45-7-AB	4	100	2.11	52.75	0.91	22.75	0.46	11.5
RSS-30-6-7-AB	11.03	275.75	8.29	207.25	6.39	159.75	5.02	125.5
RSS-30-6-3-AB	16.02	400.5	12.24	306	9.58	239.5	7.66	191.5
RSS-30-658-2-AB	22.21	555.25	17.14	428.5	13.57	339.25	10.96	274
RSS-35-5-7-AB	4	100	5.4	135	4.1	102.5	3.2	80
RSS-35-5-3-AB	5.35	133.75	2.97	74.25	1.98	49.5	1.3	32.5
RSS-35-6-7-AB	7	175	5.01	125.25	3.66	91.5	2.7	67.5
RSS-35-6-3-AB	11.23	280.75	8.36	209	6.37	159.25	4.94	123.5
RSS-35-658-2-AB	16.54	413.5	12.57	314.25	9.79	244.75	7.77	194.25

NOTES:

1. Maximum weight based on 25 pounds per square foot of EPA. Weights lower than maximum will result in higher EPA values.
2. EPAs based on shaft properties with wind normal to flat. EPAs calculated using base wind velocity as indicated plus 30% gust factor.
3. For pole heights that are not shown, use the values for taller poles.
4. The Cooper Lighting Solutions on-line configurator has detailed maximum EPA and weight to refine the design.

LATEST FLORIDA BUILDING CODES & AASHTO STANDARDS EPA [SQ. FT] (WITH 3SEC GUST) - 100 LBS FIXTURE LOAD ^{1, 2, 3, 4}

Catalog Number	90 MPH		100 MPH		110 MPH		120 MPH		130 MPH		140 MPH		150 MPH		160 MPH		170 MPH		180 MPH	
	Max EPA (sq. ft)	Max Fixture Load (lb)	Max EPA (sq. ft)	Max Fixture Load (lb)	Max EPA (sq. ft)	Max Fixture Load (lb)	Max EPA (sq. ft)	Max Fixture Load (lb)	Max EPA (sq. ft)	Max Fixture Load (lb)	Max EPA (sq. ft)	Max Fixture Load (lb)	Max EPA (sq. ft)	Max Fixture Load (lb)	Max EPA (sq. ft)	Max Fixture Load (lb)	Max EPA (sq. ft)	Max Fixture Load (lb)	Max EPA (sq. ft)	Max Fixture Load (lb)
RSS-5-3-11-AB	68.06	100	54.98	100	45.3	100	37.93	100	32.21	100	27.66	100	23.99	100	20.76	100	18.5	100	16.42	100
RSS-5-4-11-AB	120.89	100	97.73	100	80.6	100	67.57	100	57.44	100	49.39	100	42.9	100	37.59	100	33.57	100	29.88	100
RSS-10-3-11-AB	32.88	100	26.34	100	21.5	100	17.82	100	14.96	100	12.69	100	10.85	100	9.35	100	8.11	100	7.07	100
RSS-10-4-11-AB	58.99	100	47.39	100	38.81	100	32.29	100	27.21	100	23.18	100	19.93	100	17.71	100	15.91	100	14.06	100
RSS-10-4-7-AB	59.02	100	47.42	100	38.83	100	32.3	100	27.22	100	23.19	100	19.94	100	17.27	100	15.92	100	14.07	100
RSS-10-5-11-AB	58.21	100	46.61	100	38.03	100	31.5	100	26.42	100	23.67	100	20.41	100	17.75	100	15.55	100	13.7	100
RSS-10-5-7-AB	95.88	100	77.12	100	63.24	100	52.68	100	44.47	100	39.23	100	33.97	100	29.67	100	26.1	100	23.11	100
RSS-10-45-11-AB	58.74	100	47.14	100	38.56	100	32.03	100	26.95	100	22.92	100	20.63	100	17.97	100	15.77	100	13.92	100
RSS-10-45-7-AB	114.34	100	92.18	100	75.78	100	63.31	100	53.6	100	45.9	100	40.65	100	35.56	100	31.35	100	27.82	100
RSS-10-6-7-AB	139.58	100	112.45	100	93.85	100	78.57	100	66.68	100	57.24	100	49.63	100	43.4	100	38.24	100	33.91	100
RSS-15-3-11-AB	20.62	100	16.27	100	13.04	100	10.59	100	8.68	100	7.17	100	5.95	100	4.95	100	4.12	100	3.43	100
RSS-15-4-11-AB	37.65	100	29.91	100	24.19	100	19.83	100	16.45	100	13.76	100	11.59	100	9.81	100	9.62	100	8.39	100
RSS-15-4-7-AB	37.68	100	29.94	100	24.21	100	19.85	100	16.46	100	13.77	100	11.6	100	9.82	100	9.63	100	8.4	100
RSS-15-5-11-AB	36.9	100	29.16	100	23.43	100	19.08	100	15.69	100	14.6	100	12.43	100	10.65	100	9.18	100	7.95	100
RSS-15-5-7-AB	61.96	100	49.46	100	40.21	100	33.17	100	27.7	100	24.95	100	21.45	100	18.58	100	16.2	100	14.21	100
RSS-15-5-3-AB	82.89	100	66.41	100	54.22	100	44.95	100	37.73	100	33.6	100	28.98	100	25.2	100	22.07	100	19.44	100
RSS-15-45-11-AB	37.27	100	29.54	100	23.81	100	19.46	100	16.07	100	13.38	100	12.65	100	10.87	100	9.4	100	8.17	100
RSS-15-45-7-AB	74.26	100	59.5	100	48.57	100	40.26	100	33.79	100	28.66	100	25.96	100	22.57	100	19.77	100	17.41	100
RSS-15-6-7-AB	90.67	100	72.56	100	61.16	100	50.96	100	43.03	100	36.73	100	31.65	100	27.49	100	24.05	100	21.16	100
RSS-20-3-11-AB	13.29	100	10.21	100	7.93	100	6.2	100	4.86	100	3.79	100	2.92	100	2.22	100	1.63	100	1.14	100
RSS-20-4-11-AB	24.93	100	19.46	100	15.41	100	12.33	100	9.93	100	8.03	100	6.5	100	5.24	100	5.81	100	4.94	100
RSS-20-4-7-AB	24.96	100	19.48	100	15.43	100	12.34	100	9.94	100	8.04	100	6.51	100	5.25	100	5.82	100	4.95	100
RSS-20-5-11-AB	23.97	100	18.5	100	14.45	100	11.37	100	9.86	100	9.08	100	7.55	100	6.29	100	5.25	100	4.38	100
RSS-20-5-7-AB	41.65	100	32.82	100	26.28	100	21.31	100	18.33	100	16.39	100	13.91	100	11.89	100	10.21	100	8.8	100
RSS-20-5-3-AB	56.51	100	44.85	100	36.23	100	29.67	100	25.45	100	22.53	100	19.26	100	16.59	100	14.37	100	12.51	100
RSS-20-45-11-AB	24.45	100	18.98	100	14.93	100	11.85	100	9.45	100	7.55	100	7.83	100	6.57	100	5.53	100	4.66	100
RSS-20-45-7-AB	50.54	100	40.11	100	32.39	100	26.52	100	21.96	100	18.33	100	17.22	100	14.83	100	12.85	100	11.18	100
RSS-20-6-7-AB	61.59	100	48.78	100	41.78	100	34.56	100	28.95	100	24.49	100	20.9	100	17.96	100	15.52	100	13.48	100
RSS-20-6-3-AB	61.71	100	48.88	100	41.81	100	34.59	100	28.97	100	24.52	100	20.92	100	17.98	100	15.54	100	13.49	100
RSS-20-658-2-AB	101.46	100	83.64	100	68.47	100	56.94	100	47.96	100	40.84	100	35.09	100	30.39	100	26.49	100	23.23	100
RSS-25-4-11-AB	17.28	100	13.1	100	10.01	100	7.66	100	5.83	100	4.37	100	3.2	100	2.98	100	3.41	100	2.75	100
RSS-25-4-7-AB	17.3	100	13.12	100	10.02	100	7.67	100	5.84	100	4.38	100	3.21	100	2.98	100	3.42	100	2.75	100
RSS-25-5-11-AB	16.11	100	11.93	100	8.84	100	6.48	100	6.25	100	5.66	100	4.48	100	3.52	100	2.73	100	2.06	100
RSS-25-5-7-AB	29.57	100	22.83	100	17.85	100	14.05	100	12.7	100	11.22	100	9.33	100	7.78	100	6.5	100	5.43	100

*Continued on next page

Catalog Number	90 MPH		100 MPH		110 MPH		120 MPH		130 MPH		140 MPH		150 MPH		160 MPH		170 MPH		180 MPH	
	Max EPA (sq. ft)	Max Fixture Load (lb)	Max EPA (sq. ft)	Max Fixture Load (lb)	Max EPA (sq. ft)	Max Fixture Load (lb)	Max EPA (sq. ft)	Max Fixture Load (lb)	Max EPA (sq. ft)	Max Fixture Load (lb)	Max EPA (sq. ft)	Max Fixture Load (lb)	Max EPA (sq. ft)	Max Fixture Load (lb)	Max EPA (sq. ft)	Max Fixture Load (lb)	Max EPA (sq. ft)	Max Fixture Load (lb)	Max EPA (sq. ft)	Max Fixture Load (lb)
RSS-25-5-3-AB	40.97	100	32.06	100	25.48	100	20.46	100	18.16	100	15.93	100	13.43	100	11.39	100	9.7	100	8.28	100
RSS-25-45-11-AB	16.7	100	12.52	100	9.42	100	7.07	100	5.24	100	3.79	100	4.83	100	3.87	100	3.07	100	2.41	100
RSS-25-45-7-AB	36.57	100	28.61	100	22.73	100	18.25	100	14.76	100	12	100	11.98	100	10.15	100	8.64	100	7.37	100
RSS-25-6-7-AB	44.4	100	34.62	100	30.37	100	24.86	100	20.57	100	17.17	100	14.43	100	12.18	100	10.32	100	8.76	100
RSS-25-6-3-AB	44.51	100	34.71	100	30.4	100	24.89	100	20.6	100	17.19	100	14.44	100	12.19	100	10.33	100	8.77	100
RSS-30-5-11-AB	10.68	100	7.33	100	4.84	100	2.96	100	3.7	100	3.23	100	2.29	100	N/A	100	N/A	100	N/A	100
RSS-30-5-7-AB	21.45	100	16.05	100	12.05	100	9.01	100	8.86	100	7.68	100	6.16	100	4.92	100	3.9	100	3.04	100
RSS-30-5-3-AB	30.63	100	23.48	100	18.2	100	14.18	100	13.26	100	11.47	100	9.47	100	13.09	100	6.47	100	5.33	100
RSS-30-45-11-AB	11.37	100	8.02	100	5.54	100	3.65	100	2.18	100	1.86	100	2.69	100	1.92	100	1.28	100	0.75	100
RSS-30-45-7-AB	27.28	100	20.9	100	16.18	100	12.59	100	9.8	100	8.43	100	8.42	100	6.95	100	5.74	100	4.73	100
RSS-30-6-7-AB	32.93	100	25.09	100	22.8	100	18.38	100	14.94	100	12.21	100	10	100	8.2	100	6.71	100	5.45	100
RSS-30-6-3-AB	33.03	100	25.16	100	22.83	100	18.4	100	14.96	100	12.23	100	10.02	100	8.22	100	6.72	100	5.47	100
RSS-30-658-2-AB	56.87	100	48.16	100	38.86	100	31.8	100	26.29	100	32.82	100	18.41	100	15.52	100	13.13	100	11.13	100
RSS-35-5-7-AB	15.5	100	11.02	100	7.7	100	5.18	100	6.01	100	5.03	100	3.78	100	2.75	100	1.9	100	1.18	100
RSS-35-5-3-AB	23.15	100	17.22	100	12.83	100	9.49	100	9.68	100	8.19	100	6.53	100	5.17	100	4.04	100	3.1	100
RSS-35-6-7-AB	24.61	100	18.09	100	17.33	100	13.66	100	10.8	100	8.54	100	6.71	100	5.21	100	3.97	100	2.93	100
RSS-35-6-3-AB	24.69	100	18.16	100	17.36	100	13.69	100	10.83	100	8.56	100	6.72	100	5.23	100	3.98	100	2.94	100
RSS-35-658-2-AB	44.19	100	38.22	100	30.5	100	24.63	100	20.07	100	16.44	100	13.52	100	11.12	100	9.14	100	7.48	100

NOTES:

1. The maximum EPA values are based upon the published maximum weight noted. Lower weights will result in higher EPA values.
2. Includes Florida Building Code 2023/2020, AASHTO LRFD-LTS-1, and ASCE-7 standards.
3. For pole heights that are not shown, use the values for taller poles.
4. The Cooper Lighting Solutions on-line configurator has detailed maximum EPA and weight to refine the design.

LATEST FLORIDA BUILDING CODES & AASHTO STANDARDS EPA [SQ. FT] (WITH 3SEC GUST) - 400 LBS FIXTURE LOAD ^{1, 2, 3, 4}

Catalog Number	90 MPH		100 MPH		110 MPH		120 MPH		130 MPH		140 MPH		150 MPH		160 MPH		170 MPH		180 MPH	
	Max EPA (sq. ft)	Max Fixture Load (lb)	Max EPA (sq. ft)	Max Fixture Load (lb)	Max EPA (sq. ft)	Max Fixture Load (lb)	Max EPA (sq. ft)	Max Fixture Load (lb)	Max EPA (sq. ft)	Max Fixture Load (lb)	Max EPA (sq. ft)	Max Fixture Load (lb)	Max EPA (sq. ft)	Max Fixture Load (lb)	Max EPA (sq. ft)	Max Fixture Load (lb)	Max EPA (sq. ft)	Max Fixture Load (lb)	Max EPA (sq. ft)	Max Fixture Load (lb)
RSS-5-3-11-AB	67.35	400	54.4	400	44.82	400	37.53	400	31.86	400	27.36	400	23.73	400	20.76	400	18.3	400	16.24	400
RSS-5-4-11-AB	121.63	400	98.34	400	81.1	400	67.99	400	57.79	400	49.7	400	43.17	400	37.82	400	33.78	400	30.07	400
RSS-10-3-11-AB	32.52	400	26.05	400	21.26	400	17.62	400	14.79	400	12.54	400	10.72	400	9.24	400	8.01	400	6.98	400
RSS-10-4-11-AB	59.92	400	47.69	400	39.06	400	32.5	400	27.39	400	23.33	400	20.06	400	17.38	400	16.02	400	14.16	400
RSS-10-4-7-AB	59.39	400	47.72	400	39.08	400	32.51	400	27.4	400	23.34	400	20.07	400	17.39	400	16.03	400	14.16	400
RSS-10-5-11-AB	58.58	400	46.91	400	38.28	400	31.71	400	26.6	400	23.82	400	20.55	400	17.87	400	15.65	400	13.79	400
RSS-10-5-7-AB	95.27	400	76.63	400	62.84	400	52.34	400	44.18	400	38.98	400	33.76	400	29.48	400	25.93	400	22.96	400
RSS-10-45-11-AB	59.11	400	47.44	400	38.81	400	32.24	400	27.13	400	23.08	400	20.77	400	18.09	400	15.87	400	14.01	400
RSS-10-45-7-AB	113.8	400	91.74	400	75.42	400	63.01	400	53.35	400	45.68	400	40.45	400	35.39	400	31.2	400	27.68	400
RSS-10-6-7-AB	140.22	400	112.97	400	94.18	400	78.84	400	66.91	400	57.44	400	49.81	400	43.55	400	38.37	400	34.03	400
RSS-15-3-11-AB	20.38	400	16.07	400	12.88	400	10.46	400	8.57	400	7.07	400	5.86	400	4.88	400	4.06	400	3.37	400
RSS-15-4-11-AB	37.9	400	30.11	400	24.36	400	19.97	400	16.57	400	13.86	400	11.68	400	9.89	400	9.69	400	8.45	400
RSS-15-4-7-AB	37.93	400	30.14	400	24.37	400	19.99	400	16.58	400	13.87	400	11.69	400	9.9	400	9.7	400	8.46	400
RSS-15-5-11-AB	37.15	400	29.36	400	23.6	400	19.22	400	15.81	400	14.7	400	12.52	400	10.73	400	9.25	400	8.01	400
RSS-15-5-7-AB	61.56	400	49.13	400	39.94	400	32.95	400	27.5	400	24.79	400	21.3	400	18.45	400	16.09	400	14.11	400
RSS-15-5-3-AB	83.18	400	66.65	400	54.41	400	45.11	400	37.87	400	33.72	400	29.09	400	25.29	400	22.15	400	19.52	400
RSS-15-45-11-AB	37.52	400	29.74	400	23.98	400	19.6	400	16.19	400	13.48	400	12.74	400	10.95	400	9.47	400	8.23	400
RSS-15-45-7-AB	73.91	400	59.21	400	48.33	400	40.06	400	33.62	400	28.52	400	25.83	400	22.46	400	19.67	400	17.32	400
RSS-15-6-7-AB	91.09	400	72.91	400	61.38	400	51.14	400	43.18	400	36.86	400	31.76	400	27.59	400	24.14	400	21.24	400
RSS-20-3-11-AB	13.12	400	10.07	400	7.82	400	6.11	400	4.78	400	3.72	400	2.86	400	2.17	400	1.59	400	1.1	400
RSS-20-4-11-AB	25.1	400	19.6	400	15.53	400	12.43	400	10.02	400	8.1	400	6.56	400	5.3	400	5.86	400	4.99	400
RSS-20-4-7-AB	25.13	400	19.62	400	15.54	400	12.44	400	10.03	400	8.11	400	6.57	400	5.3	400	5.87	400	4.99	400
RSS-20-5-11-AB	24.15	400	18.64	400	14.57	400	11.47	400	9.94	400	9.16	400	7.61	400	6.35	400	5.3	400	4.42	400
RSS-20-5-7-AB	41.37	400	32.59	400	26.09	400	21.15	400	18.19	400	16.27	400	13.81	400	11.8	400	10.13	400	8.73	400
RSS-20-5-3-AB	56.72	400	45.02	400	36.37	400	29.79	400	25.55	400	22.62	400	19.34	400	16.65	400	14.43	400	12.57	400
RSS-20-45-11-AB	24.63	400	19.12	400	15.05	400	11.95	400	9.54	400	7.62	400	7.89	400	6.63	400	5.58	400	4.7	400
RSS-20-45-7-AB	50.29	400	39.91	400	32.22	400	26.38	400	21.83	400	18.23	400	17.13	400	14.75	400	12.77	400	11.12	400
RSS-20-6-7-AB	61.89	400	49.03	400	41.93	400	34.69	400	29.06	400	24.59	400	20.98	400	18.03	400	15.59	400	13.54	400
RSS-20-6-3-AB	61.94	400	49.07	400	41.96	400	34.72	400	29.08	400	24.61	400	21	400	18.05	400	15.6	400	13.55	400
RSS-20-658-2-AB	101.69	400	83.82	400	68.63	400	57.07	400	48.07	400	40.93	400	35.18	400	30.46	400	26.56	400	23.28	400
RSS-25-4-11-AB	17.41	400	13.21	400	10.1	400	7.73	400	5.89	400	4.43	400	3.25	400	3.02	400	3.45	400	2.78	400
RSS-25-4-7-AB	17.44	400	13.23	400	10.11	400	7.75	400	5.9	400	4.44	400	3.26	400	3.03	400	3.46	400	2.79	400
RSS-25-5-11-AB	16.25	400	12.04	400	8.93	400	6.56	400	6.31	400	5.71	400	4.53	400	3.57	400	2.77	400	2.1	400
RSS-25-5-7-AB	29.36	400	22.66	400	17.7	400	13.93	400	12.59	400	11.13	400	9.25	400	7.71	400	6.44	400	5.37	400

*Continued on next page

Catalog Number	90 MPH		100 MPH		110 MPH		110 MPH		110 MPH		110 MPH		110 MPH		110 MPH		110 MPH		110 MPH	
	Max EPA (sq. ft)	Max Fixture Load (lb)	Max EPA (sq. ft)	Max Fixture Load (lb)	Max EPA (sq. ft)	Max Fixture Load (lb)	Max EPA (sq. ft)	Max Fixture Load (lb)	Max EPA (sq. ft)	Max Fixture Load (lb)	Max EPA (sq. ft)	Max Fixture Load (lb)	Max EPA (sq. ft)	Max Fixture Load (lb)	Max EPA (sq. ft)	Max Fixture Load (lb)	Max EPA (sq. ft)	Max Fixture Load (lb)	Max EPA (sq. ft)	Max Fixture Load (lb)
RSS-25-5-3-AB	41.12	400	32.19	400	25.58	400	20.55	400	18.23	400	15.99	400	13.49	400	11.44	400	9.74	400	8.32	400
RSS-25-45-11-AB	16.83	400	12.62	400	9.51	400	7.15	400	5.3	400	3.84	400	4.87	400	3.91	400	3.11	400	2.44	400
RSS-25-45-7-AB	36.37	400	28.46	400	22.6	400	18.14	400	14.67	400	11.92	400	11.91	400	10.09	400	8.59	400	7.33	400
RSS-25-6-7-AB	44.63	400	34.81	400	30.49	400	24.96	400	20.66	400	17.24	400	14.49	400	12.23	400	10.37	400	8.8	400
RSS-25-6-3-AB	44.68	400	34.85	400	30.52	400	24.99	400	20.68	400	17.26	400	14.51	400	12.25	400	10.38	400	8.81	400
RSS-30-5-11-AB	10.79	400	7.41	400	4.92	400	3.02	400	3.75	400	3.27	400	N/A	400	N/A	400	N/A	400	N/A	400
RSS-30-5-7-AB	21.27	400	15.91	400	11.93	400	8.91	400	8.78	400	7.61	400	6.1	400	4.87	400	3.85	400	2.99	400
RSS-30-5-3-AB	30.76	400	23.59	400	18.28	400	14.25	400	13.32	400	11.52	400	9.51	400	7.87	400	6.51	400	5.36	400
RSS-30-45-11-AB	11.48	400	8.11	400	5.61	400	3.71	400	2.23	400	1.9	400	2.73	400	1.96	400	1.31	400	0.78	400
RSS-30-45-7-AB	27.12	400	20.77	400	16.08	400	12.51	400	9.73	400	8.37	400	8.36	400	6.9	400	5.7	400	4.69	400
RSS-30-6-7-AB	33.12	400	25.24	400	22.89	400	18.46	400	15	400	12.26	400	10.05	400	8.24	400	6.75	400	5.49	400
RSS-30-6-3-AB	33.17	400	25.28	400	22.92	400	18.48	400	15.03	400	12.28	400	10.07	400	8.26	400	6.76	400	5.5	400
RSS-30-658-2-AB	57.01	400	48.27	400	38.96	400	31.87	400	26.36	400	21.99	400	18.46	400	15.57	400	13.17	400	11.17	400
RSS-35-5-7-AB	15.35	400	10.9	400	7.61	400	5.1	400	5.94	400	4.97	400	3.72	400	2.7	400	1.86	400	1.15	400
RSS-35-5-3-AB	23.26	400	17.3	400	12.9	400	9.55	400	9.73	400	8.24	400	6.57	400	5.2	400	4.07	400	3.12	400
RSS-35-6-7-AB	24.76	400	18.22	400	17.41	400	13.73	400	10.86	400	8.58	400	6.75	400	5.25	400	4	400	2.96	400
RSS-35-6-3-AB	24.81	400	18.25	400	17.44	400	13.75	400	10.88	400	8.6	400	6.77	400	5.26	400	4.02	400	2.97	400
RSS-35-658-2-AB	44.31	400	38.31	400	30.58	400	24.7	400	20.12	400	16.49	400	13.56	400	11.16	400	9.17	400	7.51	400

NOTES:

1. The maximum EPA values are based upon the published maximum weight noted. Lower weights will result in higher EPA values.
2. Includes Florida Building Code 2023/2020, AASHTO LRFD-LTS-1, and ASCE-7 standards.
3. For pole heights that are not shown, use the values for taller poles.
4. The Cooper Lighting Solutions on-line configurator has detailed maximum EPA and weight to refine the design.

Considerations

DESIGN CONSIDERATIONS - VIBRATIONS AND NON-GROUND MOUNTED INSTALLATIONS

The information contained herein is for general guidance only and is not a replacement for professional judgment. Design considerations for wind induced vibrations and non-ground mounted installations (e.g., installations on bridges or buildings) are not included in this document. Consult with a professional, and local and federal standards, before ordering to ensure product is appropriate for the intended purpose and installation location. Refer to the Cooper Lighting Solutions Light Pole White Paper for risk factors and design considerations. [Learn more.](#)

NOTE: The [Limited warranty](#) for this product specifically excludes fatigue failure or similar damage resulting from vibration, harmonic oscillation or resonance.

Specifications and dimensions subject to change without notice. Consult your lighting representative at Cooper Lighting Solutions or visit www.cooperlighting.com for available options, accessories and ordering information.

VIBRATION

Vibrations may cause damage to structures, including poles. Vibrations are unpredictable, and there are many factors and variables that can cause damaging vibrations. Many wind conditions exist that can create damaging vibrations to poles and luminaires, such as constant winds between 10-30 mph. Although all pole types can experience vibration, straight square poles seem to be most prone. Vibration dampeners and/or a round tapered design may be used to mitigate damage from vibrations, but there is no guarantee damaging vibrations will be prevented. Vibration dampeners are not included with this pole but can be ordered separately. Consult with a professional, and local and federal standards, to ensure this pole is appropriate for the intended purpose and installation location. Refer to Cooper Lighting Solutions' Light Pole [White Paper](#) for risk factors and design considerations.

MAINTENANCE

Perform inspections periodically. A prudent inspection schedule would be: one week after installation, one month after installation, yearly after installation, and following any major wind event. During the inspection, check the poles for cracks. If cracks are detected, remedial action is required. Recheck anchor bolt torques and re-tighten according to the recommended torque values. Check for missing covers and pole caps and replace as necessary. Check the pole for corrosion and deterioration of the finish. Should there be corrosion or deterioration, take remedial action to correct.

WARNING: Customer is responsible for engineering analysis to confirm pole and fixture compatibility for all applications. Refer to pole white paper [WP513001EN](#) for additional support information. Before installing, make sure proper anchor bolts and templates are obtained. The use of unauthorized accessories such as banners, signs, cameras or pennants for which the pole was not designed voids the pole warranty and may result in pole failure causing serious injury or property damage. Information regarding total loading capacity can be supplied upon request. The pole warranty is void unless poles are used and installed as a complete pole and luminaire combination. This warranty specifically excludes failure as the result of a third party act or omission, misuse, unanticipated uses, fatigue failure or similar phenomena resulting from induced vibration, harmonic oscillation or resonance associated with movement of air currents around the product.

Specifications and dimensions subject to change without notice. Consult your lighting representative at Cooper Lighting Solutions or visit www.cooperlighting.com for available options, accessories, and ordering information.