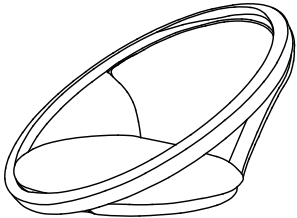


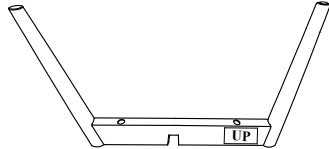
ASSEMBLY INSTRUCTION

HERRINGBONE FABRIC ACCENT CHAIR

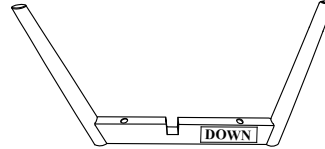
A Bucket Seat Frame **B** Leg Frame - Upper **C** Leg Frame - Lower **D** Corner Block



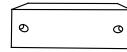
1 pc



1 pc



1 pc



2 pcs

E JCBC Bolt
M6 x 80mm



4 pcs

F Lock Washer
M8 x 12mm



4 pcs

G Flat Washer
M8 x 13mm



4 pcs

H Wood Screw
M4

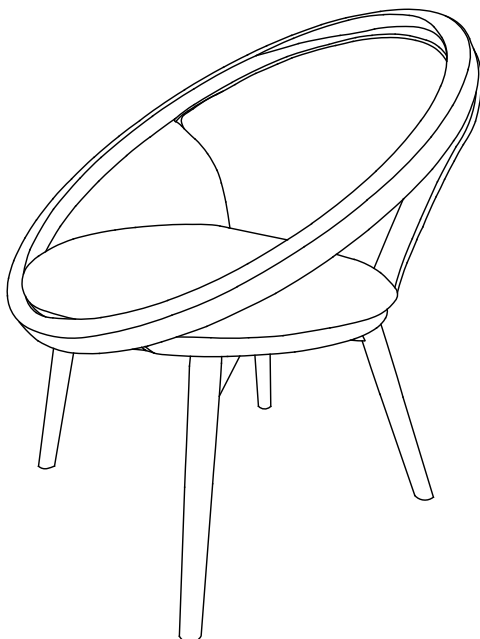


4 pcs

I Allen Key
M4



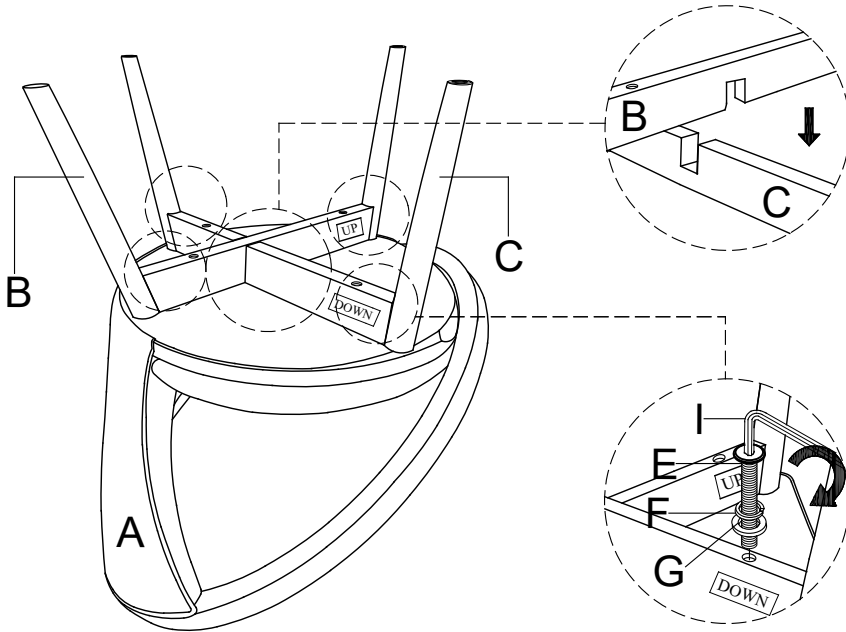
1 pc



This page lists all the contents included in the box. Please take the time to identify the hardware as well as the individual components to this product. As you unpack and prepare for assembly, place the contents on a carpeted or padded area to protect them from damage.

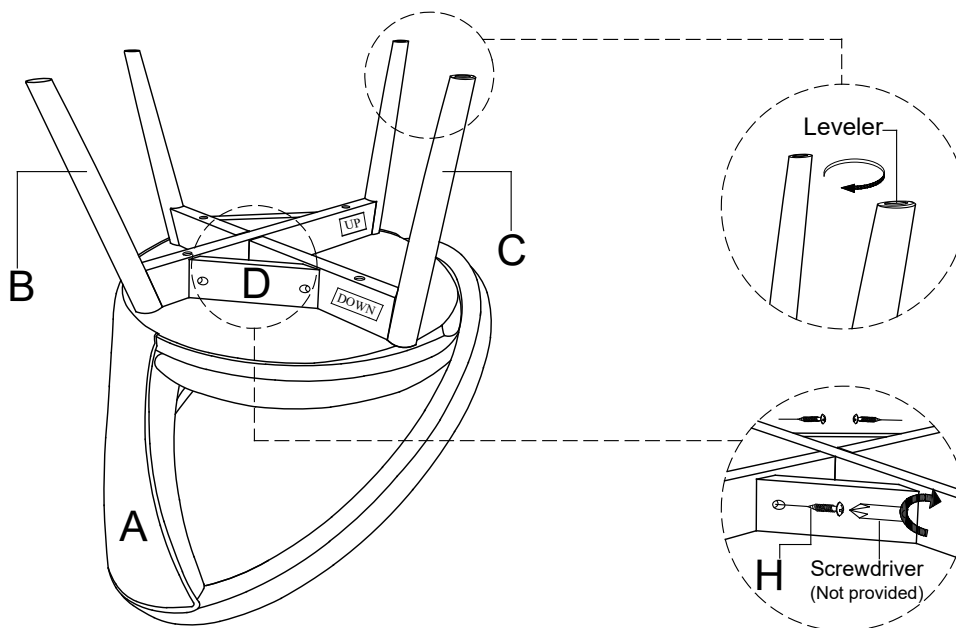
- 1** Place the Bucket Seat Frame (A) on a protective surface. Tighten the Leg Frame - Upper (B) and Leg Frame - Lower (C) on the Bucket Seat Frame (A) by JCBC Bolt (E), Lock Washer (F), Flat Washer (G) and Allen Key (I).

**Do not fully tighten the bolt until all bolts are attached.



Take the Allen Key, and turn the bolts until the legs are secured. **DO NOT TIGHTEN COMPLETELY.** Stop when you feel you are adding force to tighten the bolt.

- 2** Place the Corner Block (D) on the Leg Frame (B & C) and tighten by Wood Screw (H) and Screwdriver (not provided). Adjust the Leveler on the Legs if uneven as shown.

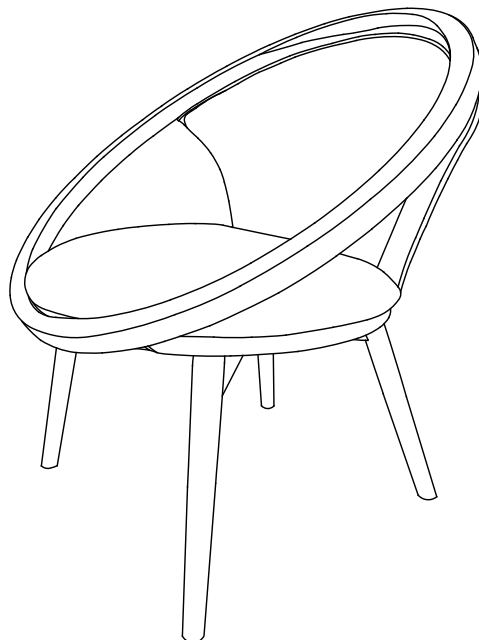
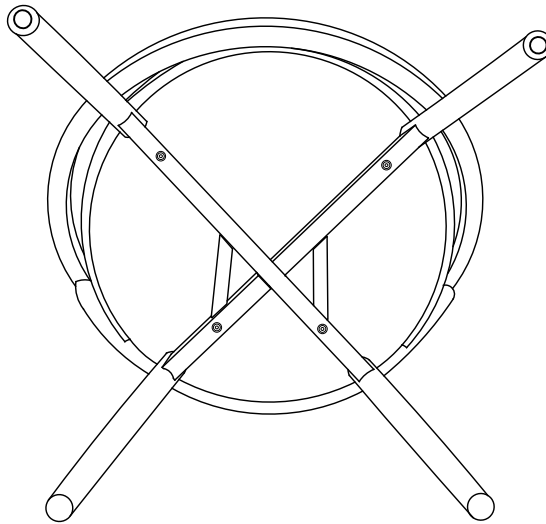


3

Place the Chair down on the protective surface to show bottom view.

Stand chair up on an even surface and check that it is balanced. If there is a slight wobble, apply downward pressure in the corner where a leg is uneven. Keeping pressure in that corner, tighten all bolts. If balanced, apply downward pressure evenly in the center and tighten all bolts. Do not over-tighten beyond hole depth.

Helpful Tip:
Instead of applying downward pressure while reaching under to tighten bolts, have someone sit in the chair while you tighten the bolts.



Cleaning & Care

Treat surface with care. Surface is resistant to scratches but is not scratch resistant. Clean surfaces with a dry or damp soft cloth. Do not use abrasive cleaners. Hardware may loosen over time. Periodically check that all connections are tight.