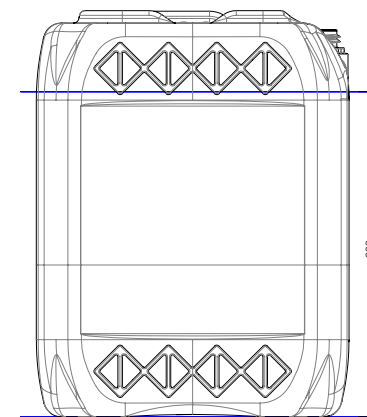
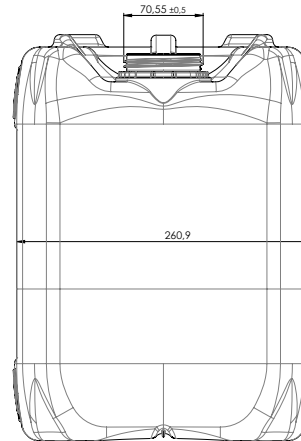
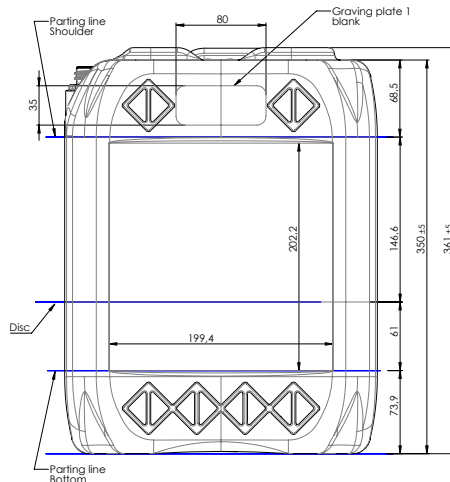
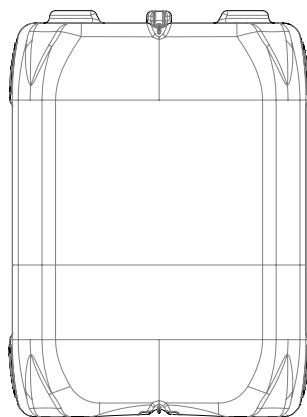
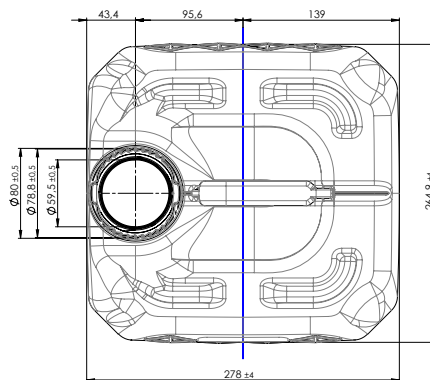


(1 : 3)



289
estimated 5 gal fill level @ 1000g



Neck version & basic shoulder corresponds to:

- W-3639-76442 (20L): neck 70 & vent 21
- W-3639-77334 (20L): neck 58 flexpout & vent 21
- W-3639-78276 (20L): neck 70 & blind insert

Vent open:

- brimfull volume : 21400 ml ± 500 ml
- weight : 1000 g ± 100 g
- material : HDPE

Standard vent closed or blind insert:

- brimfull volume : 21000 ml ± 500 ml
- weight : 1000 g ± 100 g
- material : HDPE

DISCLAIMER

THIS INFORMATION IS PROVIDED AS A GENERAL GUIDE, INCLUDING DIMENSIONS. IT IS THE CUSTOMER'S RESPONSIBILITIES TO SELECT THE PROPER CONTAINER FOR PRODUCT AND APPLICATION COMPATIBILITY.

DISTRIBUTED BY:



REF NO.:

DWG30249

DESCRIPTION:

5 Gallon HDPE Square TH Pail