

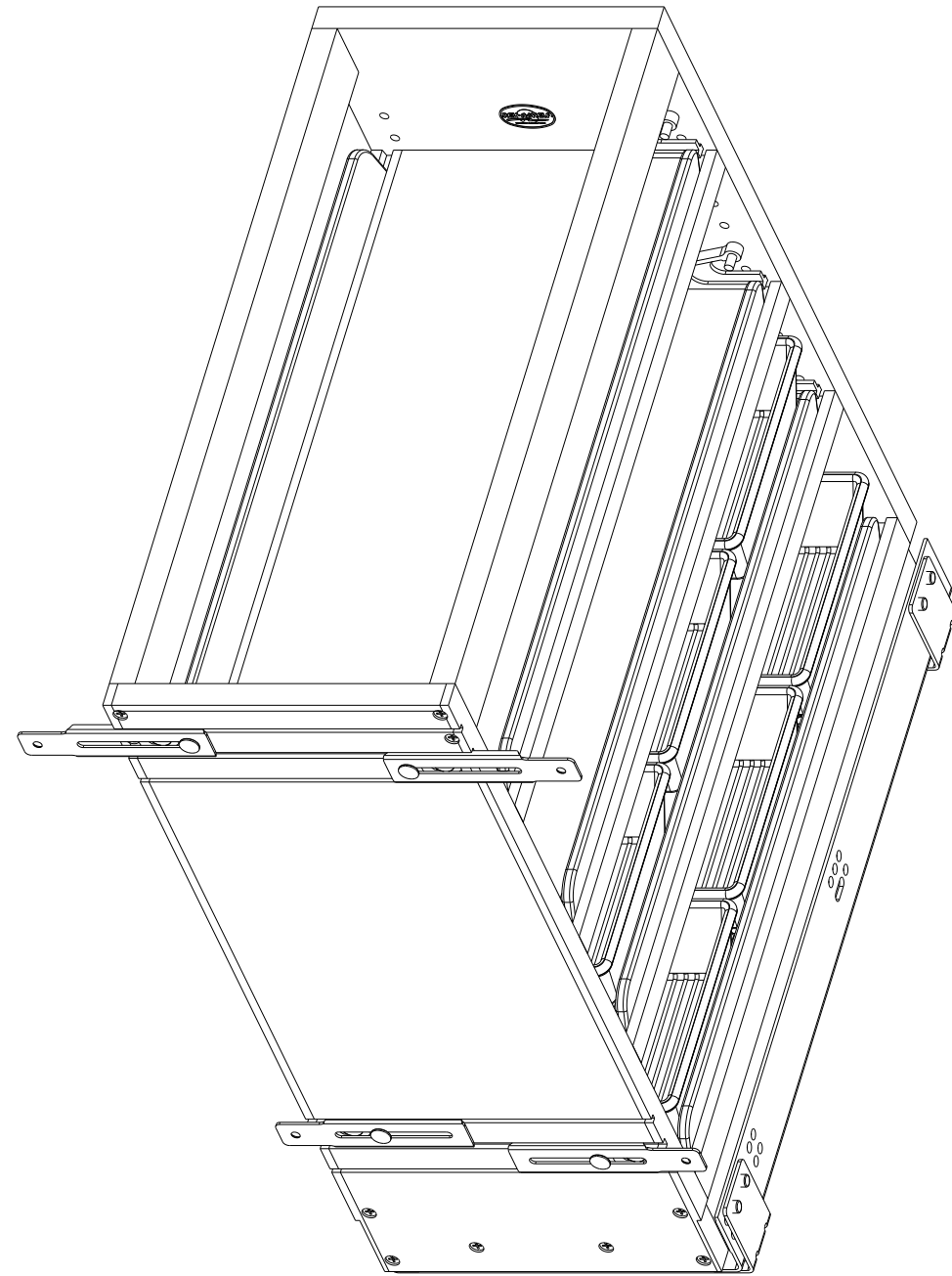
MOUNTING LOCATIONS

CUSTOMER DRAWING

This drawing is the property of Rev-A-Shelf (RAS) and is disclosed in confidence to the extent its subject matter is original to RAS. Any vendor receiving this drawing from RAS shall hold and use this drawing for the sole benefit of RAS and shall not disclose it to, or use or reproduce it for any third party, or perform any act adverse to the interest of RAS with respect to this drawing without the express written permission of RAS. Vendors shall not revise any physical, dimensional or performance characteristic unless authorized by Rev-A-Shelf Engineering.

REV.	DATE	BY	DESCRIPTION OF CHANGE
A	7/1/19	BKT	ECN19-041

INCH [MM]	AMERICAN PROJECTION 	DRAWN	BY	DATE	REV-A-SHELF, INC.	
			KRR	11-19-14	SIZE B	448 SC 8" VANITY
TOLERANCES MAT. DEC. (WOOD) .XX ±.03 [.8mm] (OTHER) .XX ±.02 [.5mm] (ALL) .XXX ±.005 [.13 mm] FRACTIONS ±1/32 [.8 mm]		ANGLES ±1/2°	MATERIAL	DRAWING NO.	SCALE	
			FINISH	448-VC20SC-8	0.200	
				PART NO.	SHEET OF	
				448-VC20SC-8	1	2



PART DIMENSIONS		
	MIN	MAX
WIDTH	8.39	
DEPTH	19.00	
HEIGHT	20.30	
WEIGHT		
DIAMETER		
RADIUS		
CONTAINER CAPACITY		
CONTAINER UOM		

MIN CABINET OPENING	
WIDTH	8.50
DEPTH	19.13
HEIGHT	20.50

PRODUCT MAX WEIGHT RATING

SLIDE SPECIFICATIONS				
SLIDE TYPE	BLUM TANDEM	SLIDE EXTENSION	FULL	MAX WEIGHT RATING
SLIDE CLOSING	SELF/SOFT	SLIDE LENGTH	18" [457]	
SLIDE MOUNTING	SIDE	SLIDE FINISH	ZINC	135 LB

CUSTOMER DRAWING

This drawing is the property of Rev-A-Shelf (RAS) and is disclosed in confidence to the extent its subject matter is original to RAS. Any vendor receiving this drawing from RAS shall hold and use this drawing for the sole benefit of RAS and shall not disclose it to, or use or reproduce it for any third party, or perform any act adverse to the interest of RAS with respect to this drawing without the express written permission of RAS. Vendors shall not revise any physical, dimensional or performance characteristic unless authorized by Rev-A-Shelf Engineering.

REV.	DATE	BY	DESCRIPTION OF CHANGE
A	7/1/19	BKT	ECN19-041

INCH [MM]	AMERICAN PROJECTION 	DRAWN	BY	DATE	REV-A-SHELF, INC.
		KRR		11-19-14	
TOLERANCES					DRAWING NO. 448-VC20SC-8
MAT.	DEC.	ANGLES ±1/2°		SCALE 0.200	
(WOOD) .XX ±.03 [.8mm]	(OTHER) .XX ±.02 [.5mm]			MATERIAL	PART NO. 448-VC20SC-8
(ALL) .XXX ±.005 [.13 mm]	FRACTIONS ±1/32 [.8 mm]			FINISH	