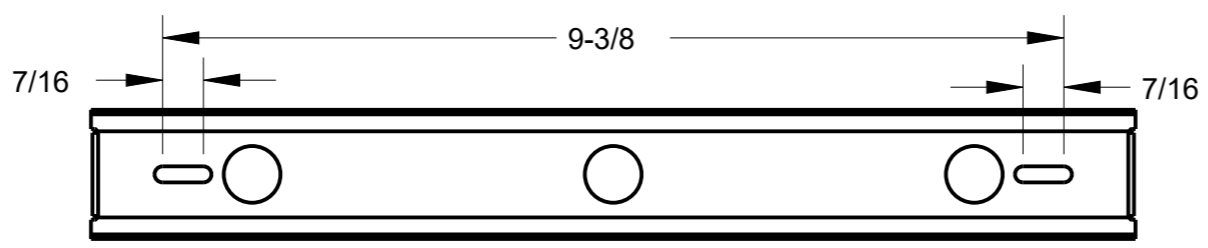
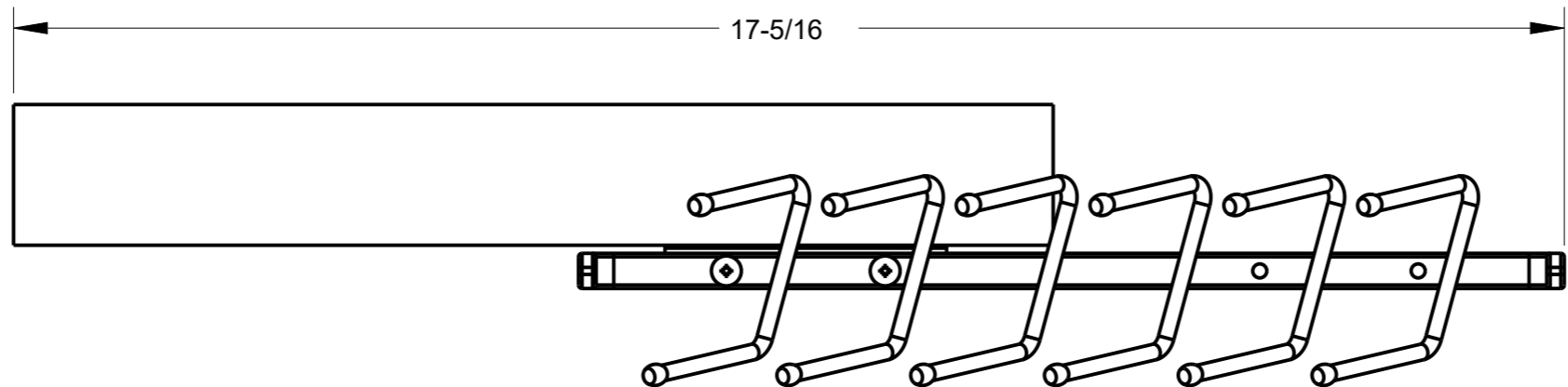
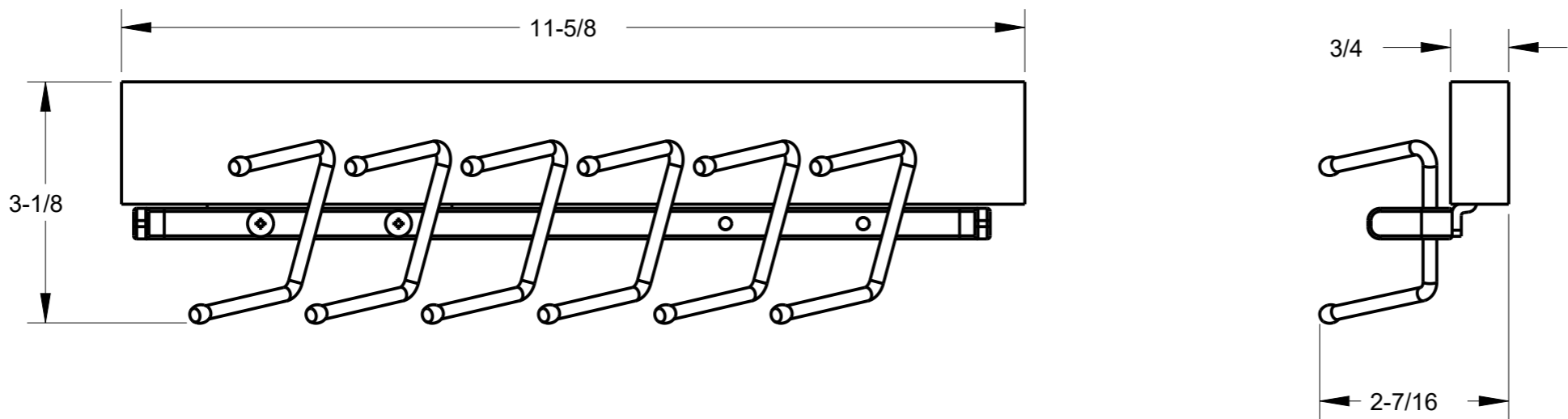
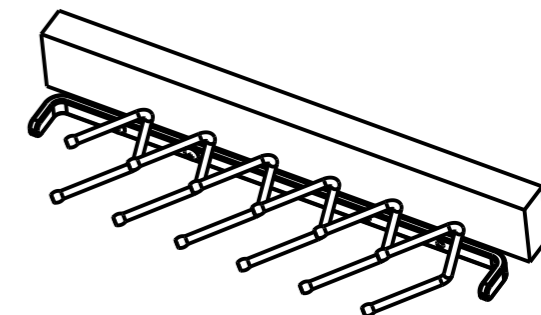


NOTES:

1. SEE DRAWING 296T FOR TIE RACK DETAILS.



MOUNTING HOLES

HR ITEM NUMBER	FINISH
295T-DBAC	BRUSHED OIL RUBBED BRONZE
295T-PC	POLISHED CHROME
295T-MB	MATTE BLACK



HARDWARE RESOURCES RESERVES THE RIGHT TO CHANGE SPECIFICATIONS WITHOUT NOTICE. IN CASE OF A DISCREPANCY, ACTUAL PART GEOMETRY SUPERSEDES THIS DOCUMENT.

THE INFORMATION CONTAINED WITHIN THIS DRAWING IS THE SOLE PROPERTY OF HARDWARE RESOURCES INC. ANY REPRODUCTION IN PART OR WHOLE WITHOUT WRITTEN PERMISSION OF HARDWARE RESOURCES INC. IS PROHIBITED.

DOCUMENT STATUS Released	
UNLESS OTHERWISE SPECIFIED DIMENSIONS ARE IN INCHES (IN)	
MATERIAL N/A	FINISH SEE TABLE
THIRD ANGLE PROJECTION	DATE 01MAR2023

DESCRIPTION		
SLIDING RACKS, TIE RACK, 12in		
DRAWING NUMBER 295T		REV B
SIZE A3	SCALE 0.500	SHEET 1 / 1