

HMI

REPLACEMENT INSTRUCTIONS

Kit Name	HMI Replacement Kit
Kit Part Number	803000116
Compatible Rinnai Products	Rinnai Commercial Boiler Models: RCB500

WARNING Failure to correctly assemble the components according to these instructions may result in electric shock, injury, or death.

CAUTION

To protect yourself from harm, follow the steps below before proceeding.

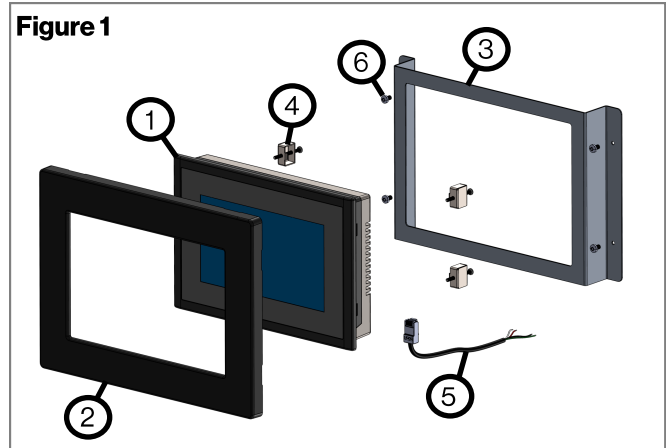
- Disconnect the electrical power supply by turning off the electricity at the circuit breaker.
- Shut off the gas at the gas valve, usually located near the gas connection at the appliance.
- Turn off the water by closing manual ball valves at the return and supply piping connections at the appliance.

Items Inside Product Box

Before installation, please make sure all parts are located inside the product box.

Table 1

Item #	Item (Part Number)	Qty
1	HMI Touch Panel (805000123)	1
2	HMI Touch Panel Bezel (809000260)	1
3	HMI Touch Panel Bracket (809000373)	1
4	HMI Mounting Clip (Part of #805000123)	4
5	HMI RJ45 Cable (803000167)	1
6	Screw, DIN 7981 3.9x6.5mm (F) (809000207)	4



TOOLS/MATERIALS REQUIRED

- Phillips Head Screwdriver
- Flat Head Electrical Screwdriver

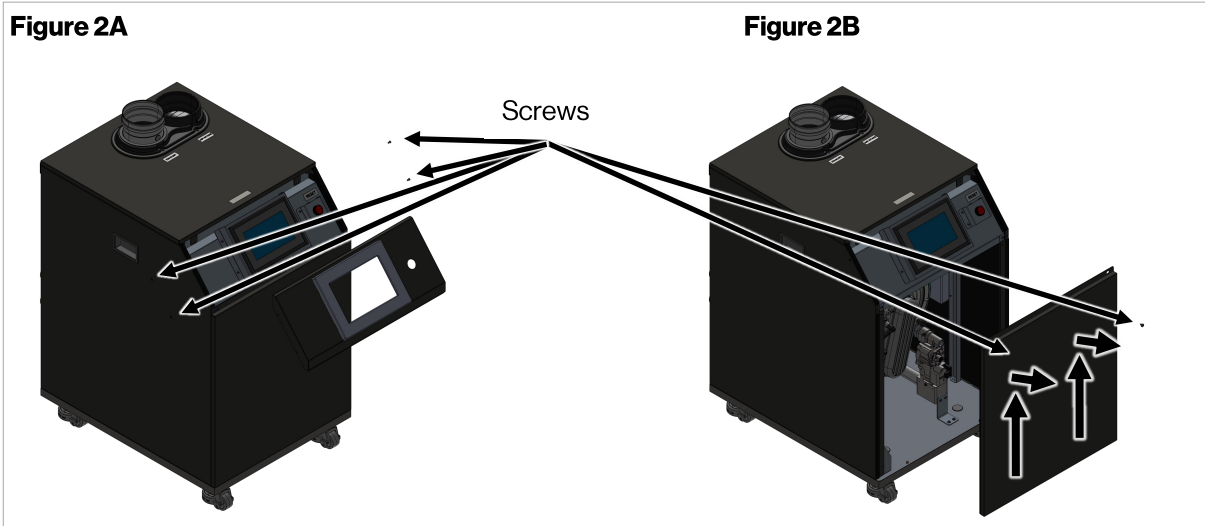
Instructions

1. Turn off and disconnect 120 V power supply.
2. Turn off water supply.
3. Turn off gas supply.

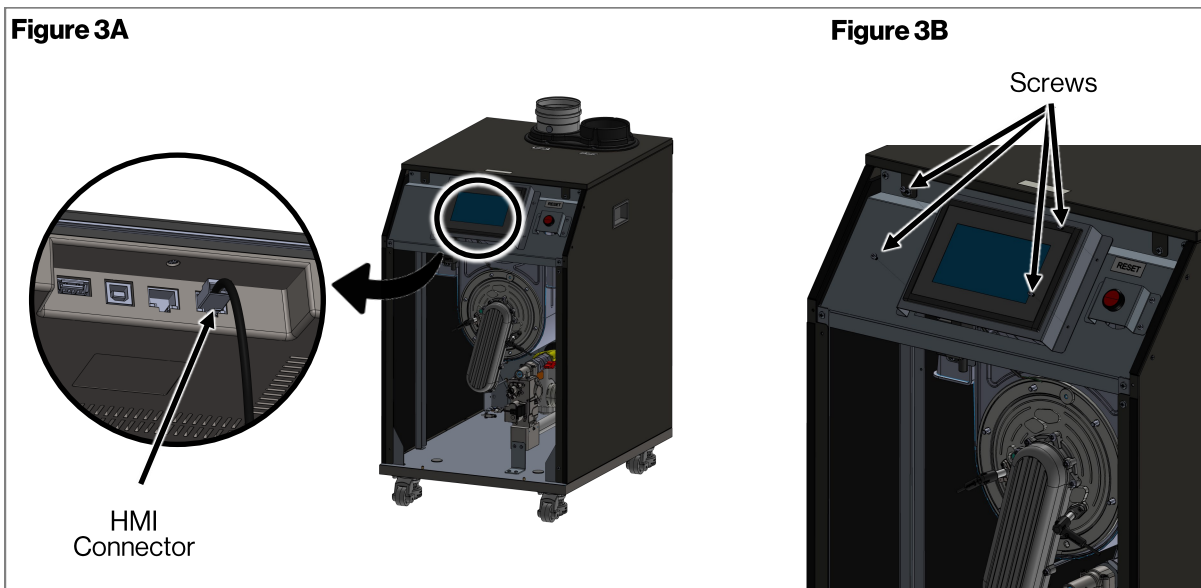
CAUTION

Confirm gas valve is turned off and not leaking. Use gas valve switch to prevent gas valve from being turned on.

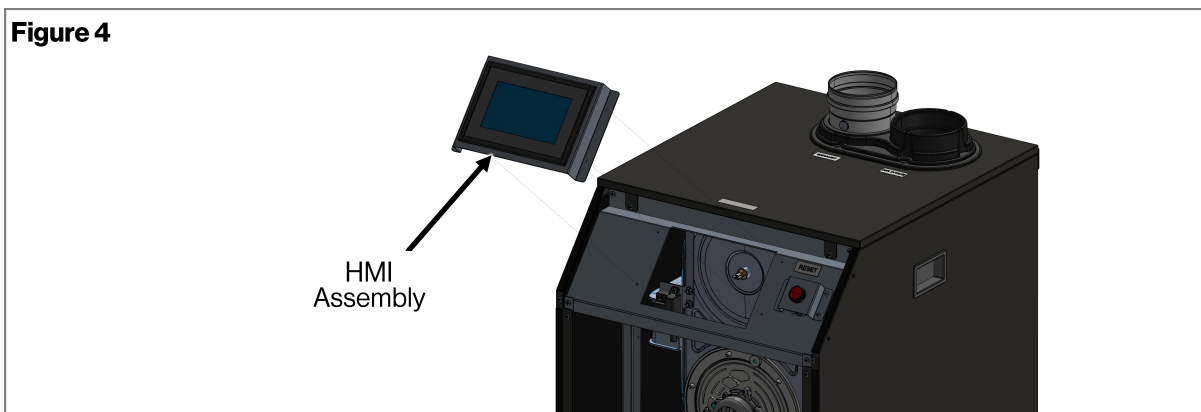
4. Use a Phillips head screwdriver to remove four (4) screws securing the angle panel around the display assembly (Figure 2A). Place it in a safe location until it is needed for re-assembly.
5. Use a Phillips head screwdriver to remove two screws securing the front panel (Figure 2B). Slide the panel up to clear the pins on the bottom, then pull it out to remove it from the boiler. Place it in a safe location until it is needed for re-assembly.



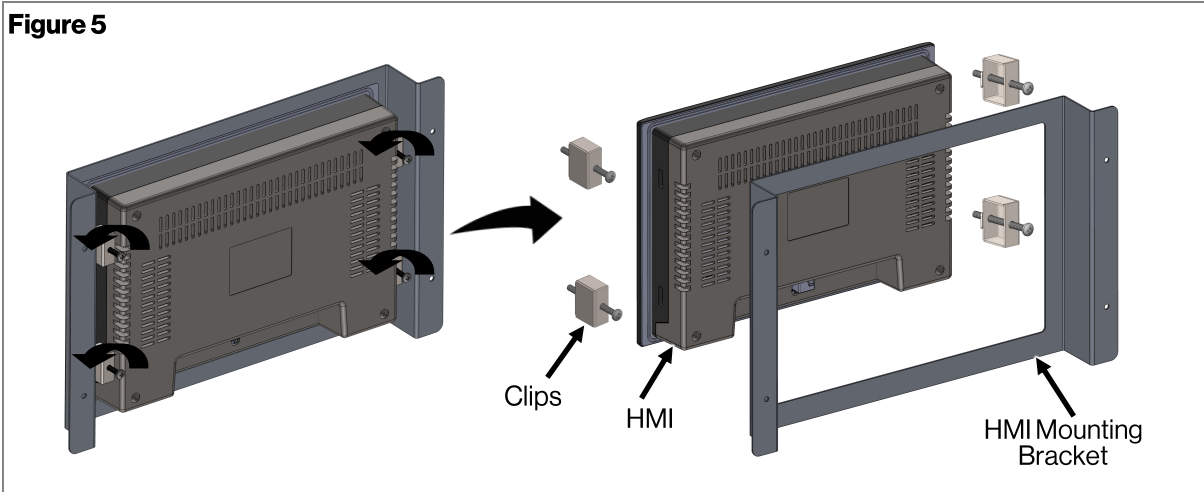
6. Disconnect the HMI cable from the HMI (Figure 3A). Remove four screws securing HMI bracket (Figure 3B).



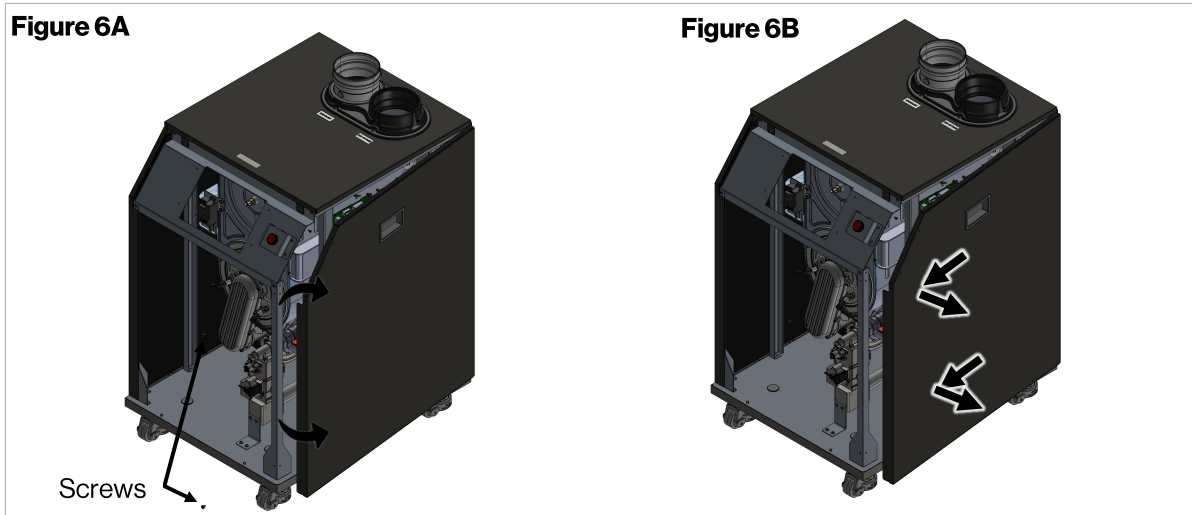
7. Remove the HMI assembly from the boiler cabinet (Figure 4). Be careful not to drop the HMI assembly.



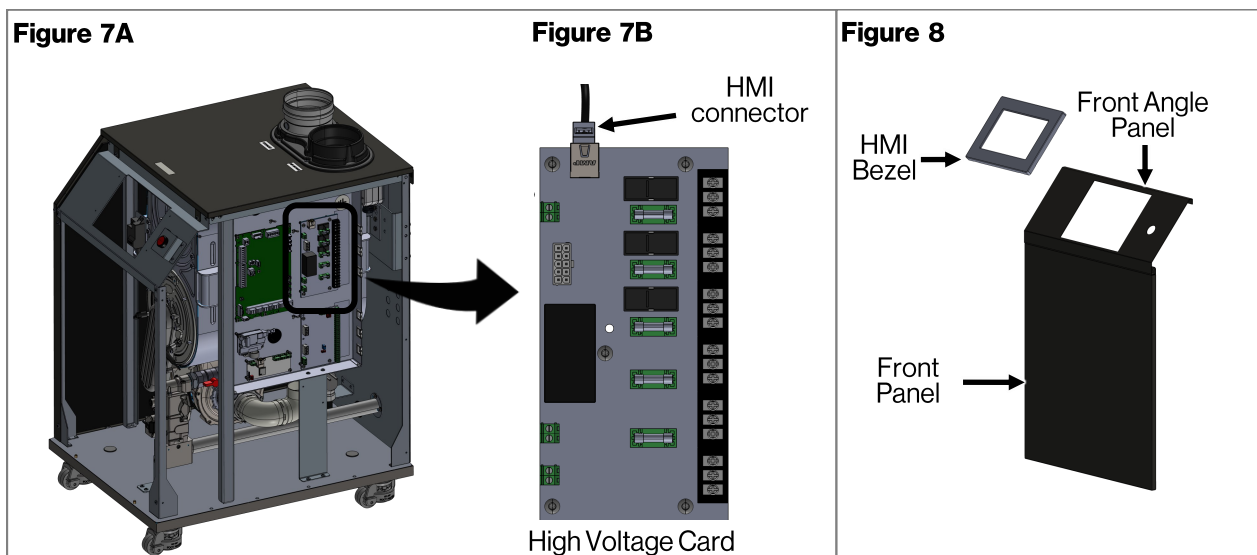
- To remove HMI unit from the bracket, loosen the four screws on the clips (Figure 5).



- If the HMI cable needs to be replaced, remove HMI Connector from 'High voltage card'. Remove two screws for right side panel from the front side of the boiler, then rotate the side panel out to clear the bottom part of the side panel (Figure 6A).
- Pull the panel forward to clear the locking mechanism on the back side then pull the panel out (Figure 6B). Place it in a safe location until it is needed for re-assembly.



- After removing the side panel (Figure 7A), locate the 'High Voltage Card' to unplug HMI connector (Figure 7B).
- To remove HMI connector, unlock and pull out the HMI connector from the 'High Voltage Card' and from the HMI (Figure 3A & Figure 7B).
- Push out the HMI bezel from the inside to remove it from front angle panel (Figure 8).



HMI Reassembly

1. Attach the new HMI bezel to the front panel (Figure 5).
2. Push and connect the HMI cable to the 'High Voltage Card' and HMI (Figure 3A, 7A& 7B). Reassemble side panel using two screws (Figure 6A & 6B).
3. Attach new HMI bezel to new HMI bracket (Figure 8).
4. Secure HMI bracket using four (4) screws (Figure 3B).
5. Reconnect HMI cable to HMI touch panel (Figure 3A). **NOTE:** Ensure to connect the HMI cable to the connector labeled 'RS485' on the HMI.
6. Reconnect and turn on 120 V power supply, water supply and gas supply.
7. Confirm proper operation of new HMI installed by verifying that data is present on the boiler screen (example: temperature values).
8. Line up front panel assembly to pins located on bottom side on unit and secure it using two screws on top side (Figure 2B) and line up for Angle front panel to cover HMI top unit (Figure 2A).