



Architectural/Engineering Specification:

Exposed, quiet piston-type, chrome plated flushometer valve with a polished exterior. Complete with chloramine resistant, filtered piston kit. The valve incorporates a 6VDC solenoid actuator, a battery powered automatic sensor with manual override push button, and robust vandal resistant metal cover with 10 degree angled sensor.

PRODUCT FEATURES:

- Filtered Piston Kit Chloramine resistant
- Control Stop Internal siphon-guard protection Vandal resistant stop cap Sweat solder kit Cast wall flange with set screw
- High back pressure Vacuum Breaker with one piece hex coupling nut
- Chloramine resistant Internal seals
- Adjustable tailpiece
- Spud coupling and flange for top spud connection

VALVE HEIGHT OPTIONS:

	Vacuum Tube Length	Rough-in Height "A"
Standard	8-1/2" [216"]	11-1/2" [292]
-1	13" [330]	16" [406]

FLOW OPTIONS:

	Flush Volume	*WaterSense Labeled
-ULF	0.125 gpf	x
-QRT	0.25 gpf	x
-EWS	0.5 gpf	x
-WS1	1.0 gpf	

SUFFIX OPTIONS:

-YJ	Split Ring Pipe Support
-YK	Solid Ring Pipe Support



Product Compliance:

ADA
ASSE 1037/ASME A112.1037/CSA B125.37
ASSE 1037
CSA B125.37
IPC
WaterSense

*Complies with ADA & ICC A117.1 accessibility requirements when installed according to the requirements outlined in these standards.



*This product should be used with a WaterSense labeled counterpart with a compatible flow volume to ensure that the entire system meets the requirements for water efficiency and performance.

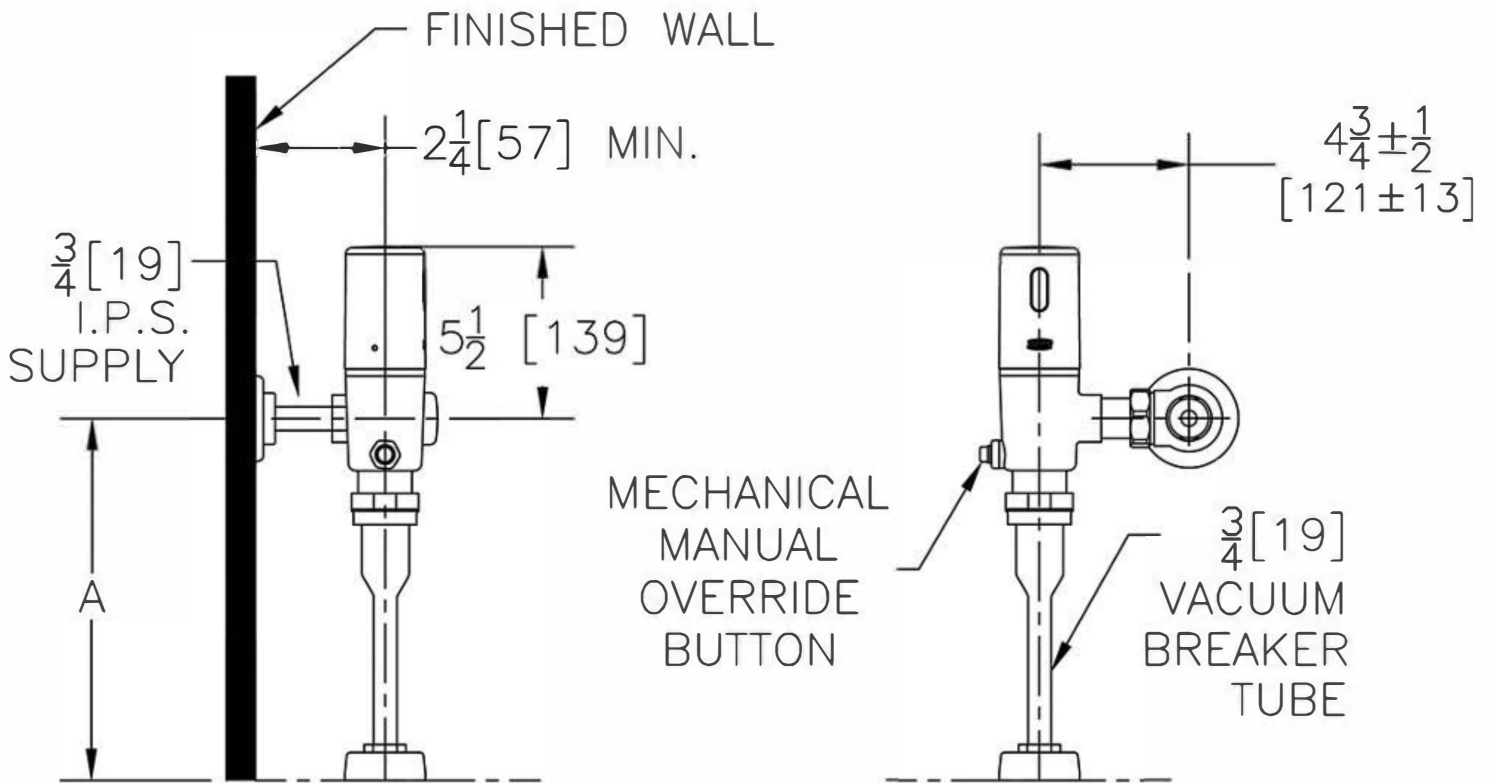
**Although products with certain combinations of options and features will meet or comply with these standards and/or certifications, not every combination of options and features will result in such compliance. If you have any questions about your particular product, please contact our Customer Care Dept. at 1-855-ONE-ZURN (United States) or 1-877-892-5216 (Canada) for confirmation.*

[Installation Guide - FV541.pdf](#)

Architectural/Engineering Approval

Design and dimensional data (inches and [mm]) are subject to manufacturing tolerances and change without notice.

⚠ WARNING: Cancer and Reproductive Harm - www.P65warnings.ca.gov
 ⚠ ADVERTENCIA: Cáncer y daño reproductivo - www.P65warnings.ca.gov
 ⚠ AVERTISSEMENT: Cancer et effets néfastes sur la reproduction - www.P65warnings.ca.gov



NOTE: All dimensions are for reference only. Do not use for pre-plumbing.

Design and dimensional data (inches and [mm]) are subject to manufacturing tolerances and change without notice.

⚠ WARNING: Cancer and Reproductive Harm - www.P65warnings.ca.gov
 ⚠ ADVERTENCIA: Cáncer y daño reproductivo - www.P65warnings.ca.gov
 ⚠ AVERTISSEMENT: Cancer et effets néfastes sur la reproduction - www.P65warnings.ca.gov