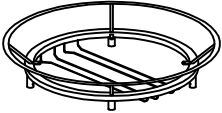
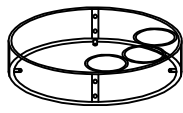
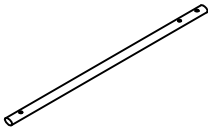


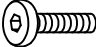

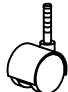


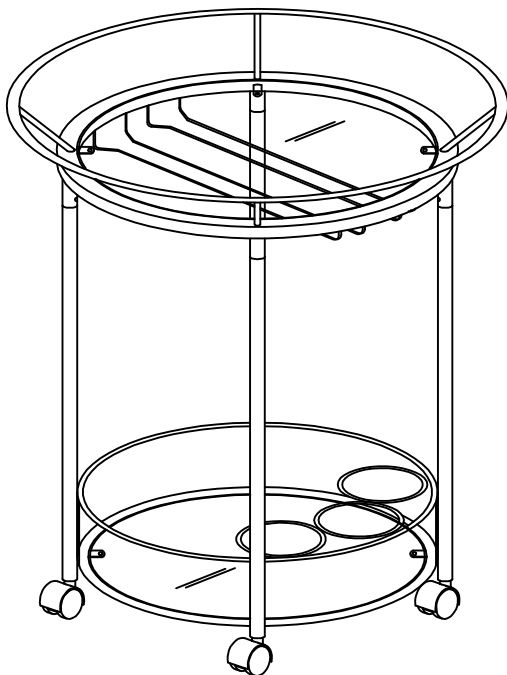


ASSEMBLY INSTRUCTION

CHROME FINISH TEMPERED CLEAR GLASS METAL KITCHEN CART

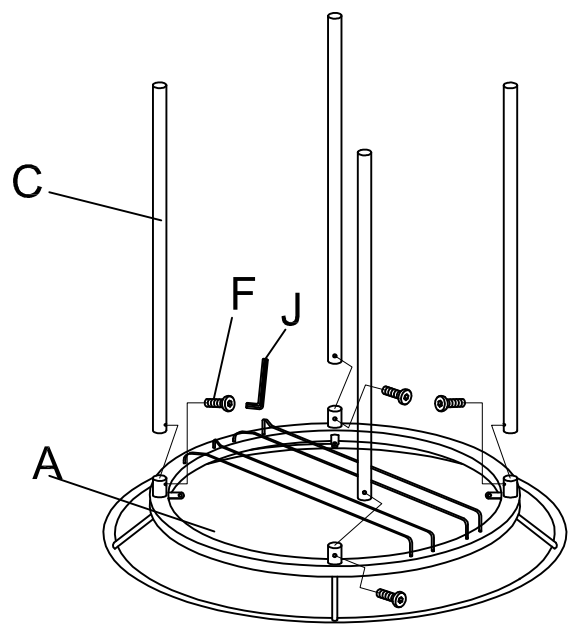
A Top Frame  1 pc	B Bottom Ring  1 pc	C Leg  4 pcs	D Top Glass  1 pc
E Bottom Glass  1 pc	F Bolt  12 pcs	G Suction Cup  8 pcs	H Castor  4 pcs
I Open End Wrench  1 pc	J Allen Wrench  1 pc		


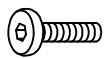


This page lists all the contents included in the box. Please take the time to identify the hardware as well as the individual components to this product. As you unpack and prepare for assembly, place the contents on a carpeted or padded area to protect them from damage.

1

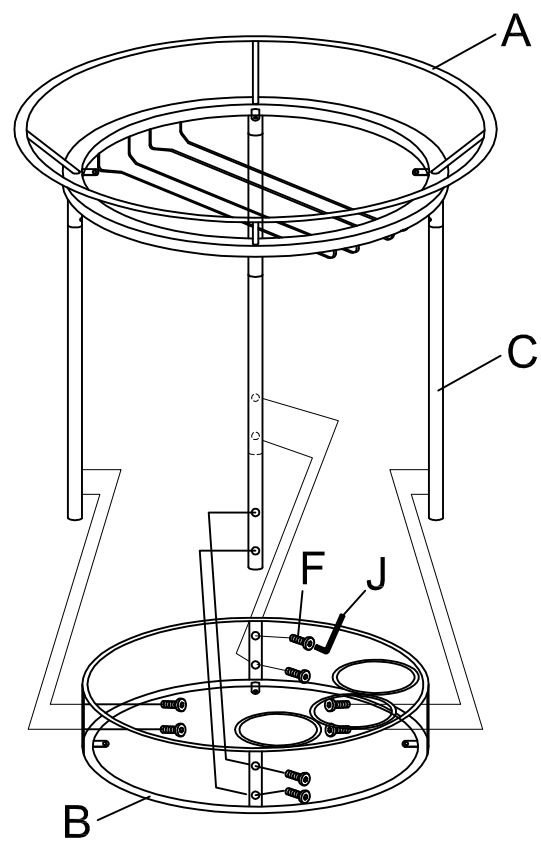
Assemble top frame (A) and leg (C) with bolt (F) and tighten with allen wrench (J) as shown in the drawing.


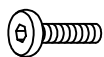


- J  X 1 pc
- F  X 4 pcs

2

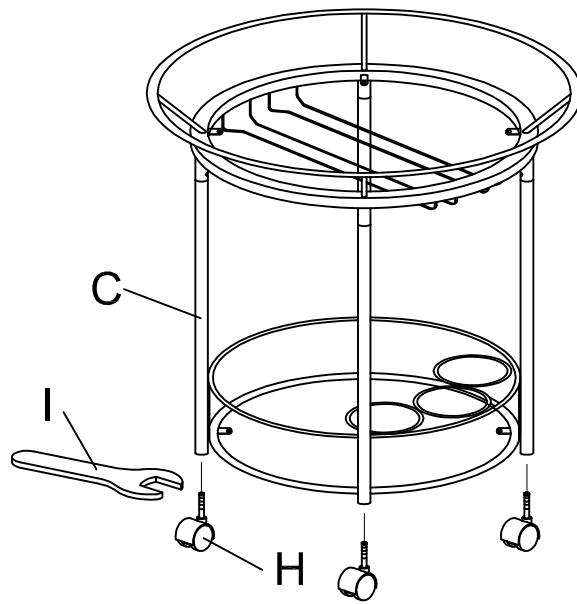
Upright the subassembled top frame (A) and leg (C) and then assemble it to bottom ring (B) with bolt (F) then tighten with the allen wrench (J).





- J  X 1 pc
- F  X 8 pcs

3

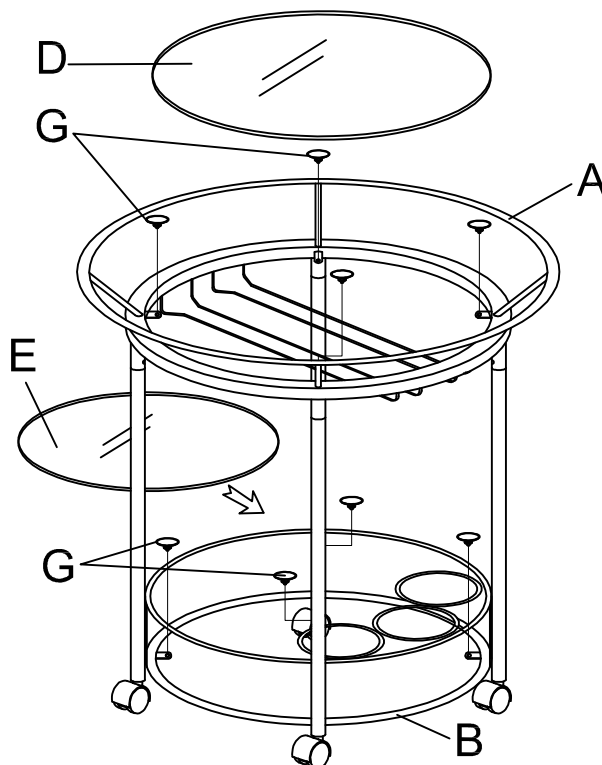
Screw in caster (H) to the tube end of leg (C) and fasten it by use of open end wrench (I).



I		X 1 pc
H		X 4 pcs

4

Insert suction cup (G) in the tabs on the top frame (A) and bottom ring (B). Then put top glass (D) and bottom glass (E) into place as shown in the drawing.



G		X 8 pcs
---	---------------------------------------------------------------------------------------	---------

Cleaning & Care

Treat surface with care. Surface is resistant to scratches but is not scratch resistant. Clean surfaces with a dry or damp soft cloth. Do not use abrasive cleaners. Hardware may loosen over time. Periodically check that all connections are tight.