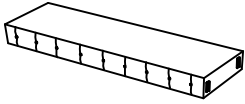
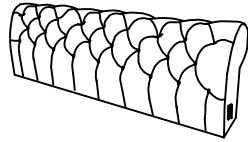


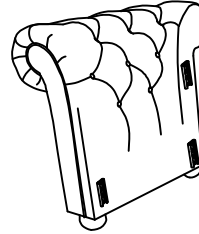
ASSEMBLY INSTRUCTION

A Seat Frame

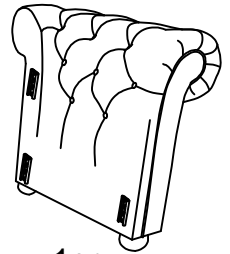
1pc

B Back Frame

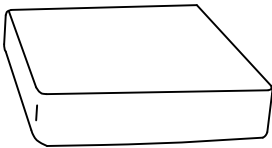
1pc

C Left Panel

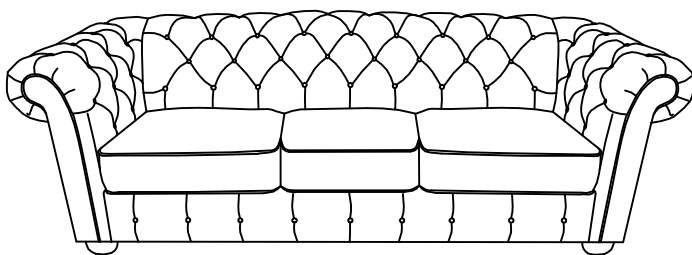
1pc

D Right Panel

1pc

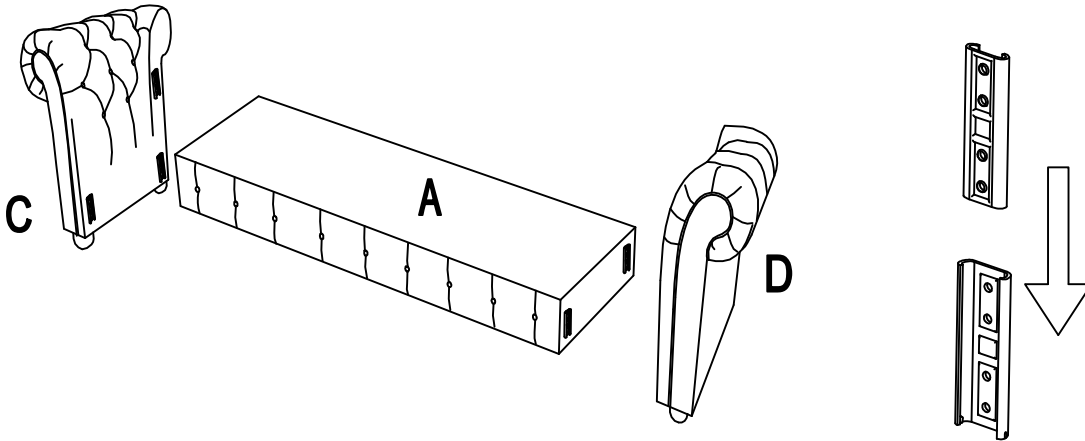
E Seat Cushion

3pcs

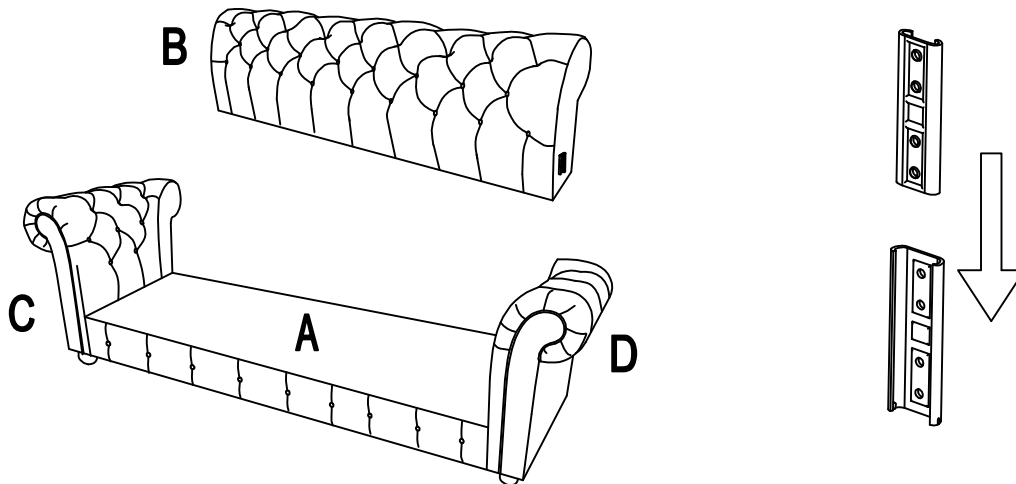


This page lists all the contents included in the box. As you unpack and prepare for assembly, place the contents on a carpeted or padded area to protect them from damage.

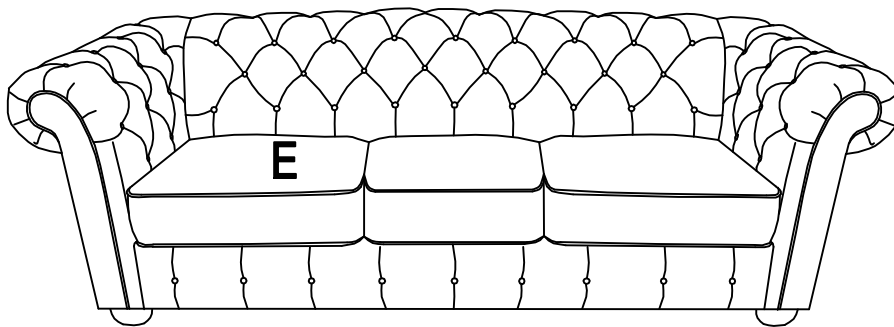
1 Hook on the Left Panel (C) & Right Panel (D) to Seat Frame (A) properly.



2 Hook on the Back Frame (B) to Left Panel (C) & Right Panel (D) properly.



3 Place Seat Cushion (E) on the chair properly. The assembly is complete.

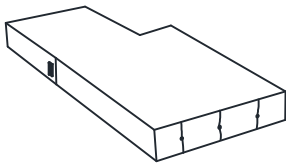


Cleaning & Care

Treat surface with care. Surface is resistant to scratches but is not scratch resistant. Clean surfaces with a dry or damp soft cloth. Do not use abrasive cleaners.

ASSEMBLY INSTRUCTION

A Seat Frame



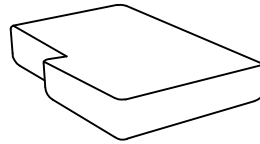
1pc

B Back Frame



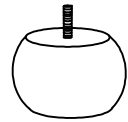
1pc

C Cushion

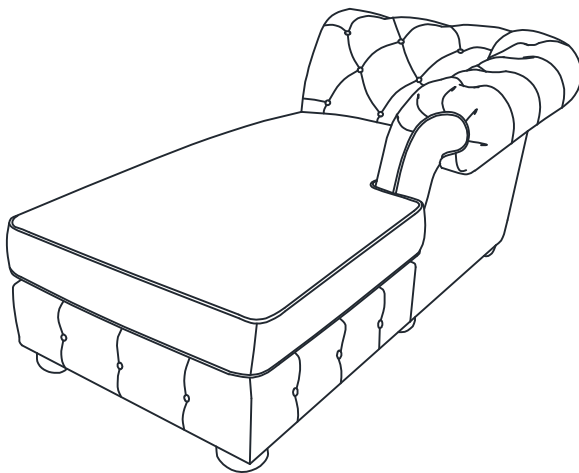


1pc

D Wooden Leg



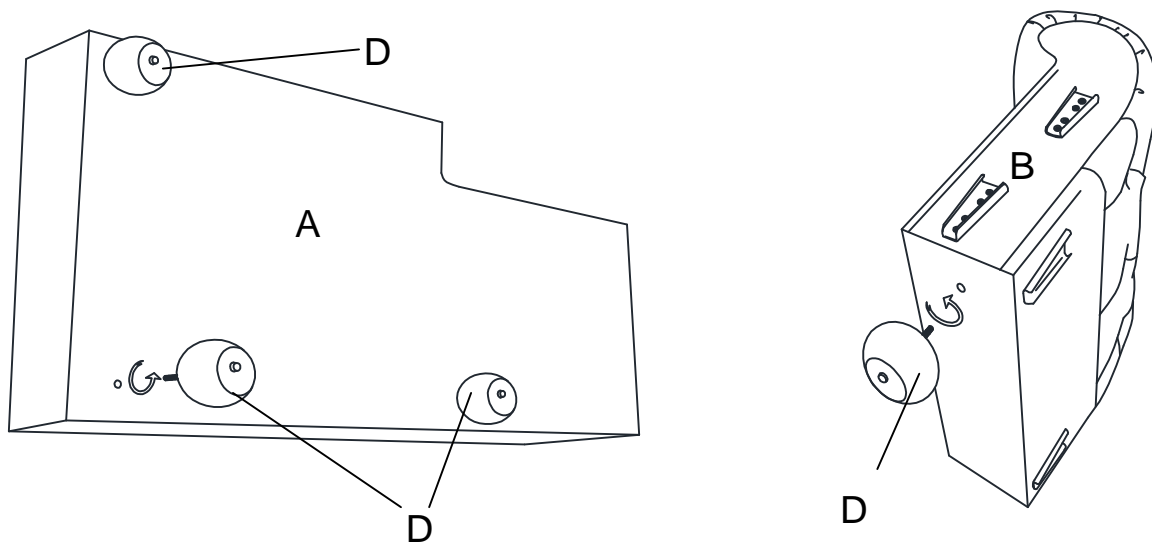
4pcs



This page lists all the contents included in the box. As you unpack and prepare for assembly, place the contents on a carpeted or padded area to protect them from damage.

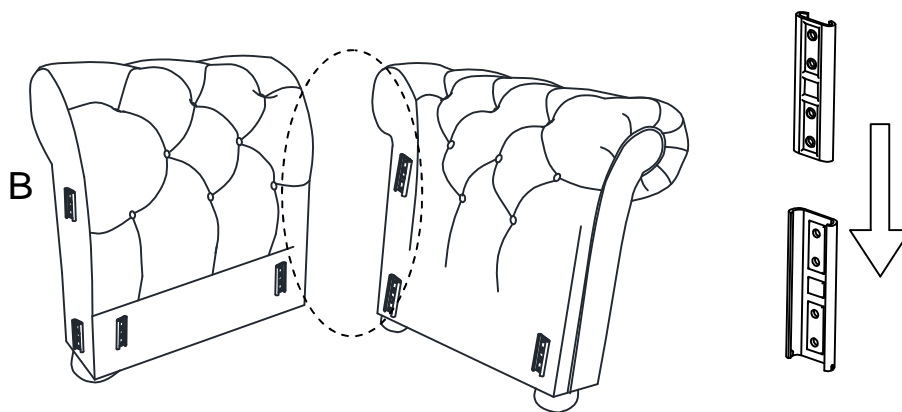
1

Assembly Wooden Legs (D) to Seat Frame (A) and Back Frame (B).



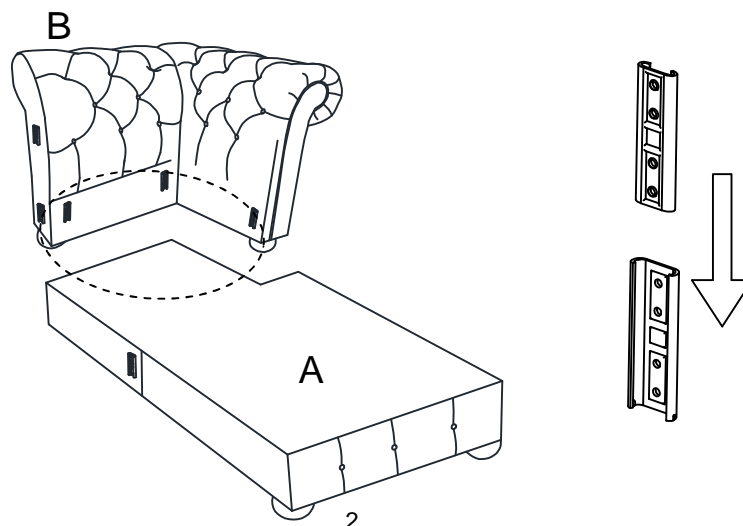
2

Hook on Back Frame (B) to Right Arm panel. (Right Arm is not in the Chaise carton)

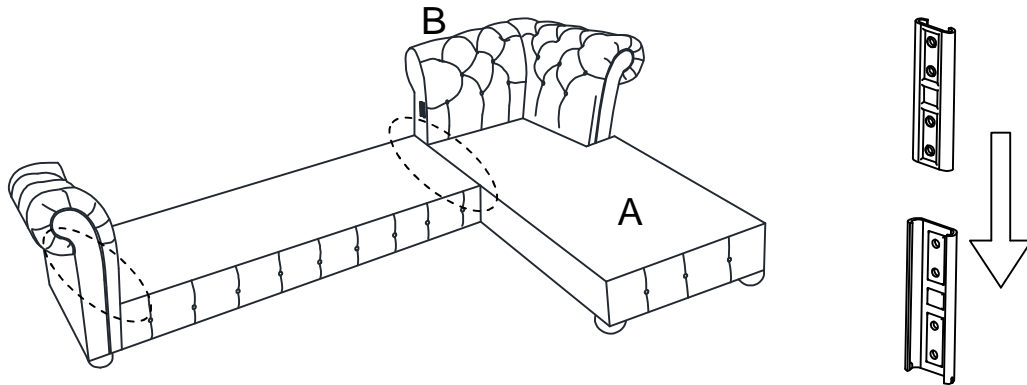


3

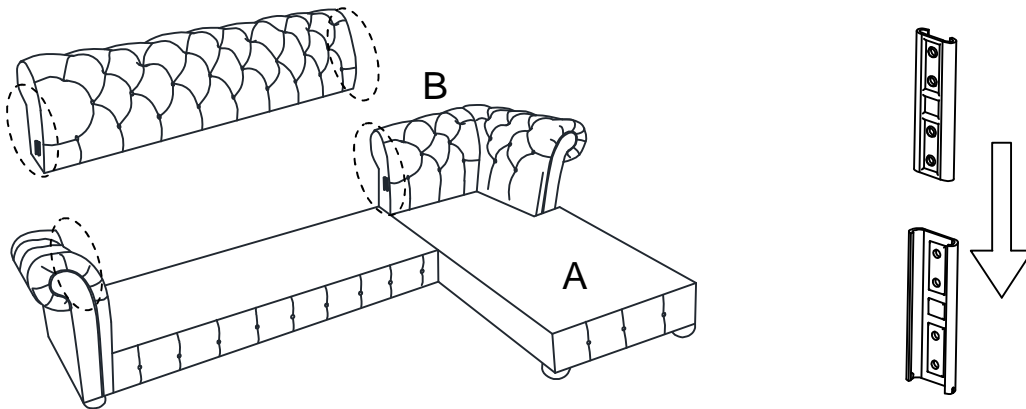
Hook on Seat Frame (A) to Back Frame (B) and Arm properly.



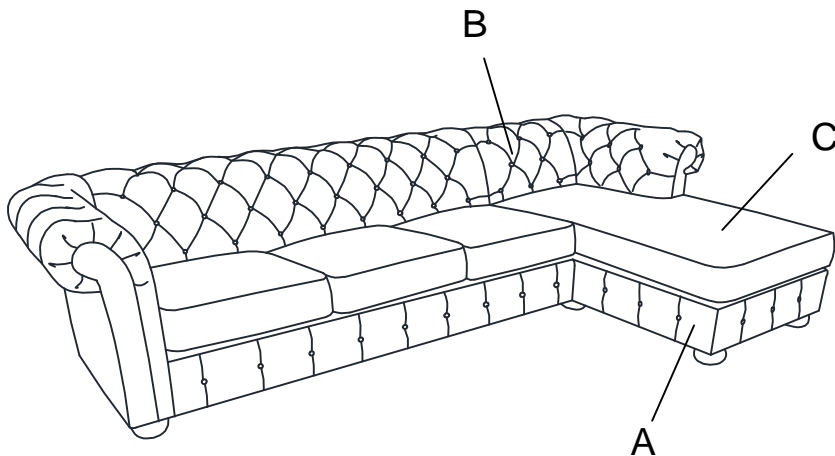
-
- 4** Hook on Seat Frame of Chair, Love Seat or Sofa to Seat Frame (A) properly. (Seat Frame of Chair, Love Seat or Sofa are not in the Chaise carton)



-
- 5** Put the Back Frame of Chair, Love Seat or Sofa on their Seat Frame. (Back Frame of Chair, Love Seat or Sofa are not in the Chaise carton)



-
- 6** Put the Cushion (C) on the Seat Frame (A) same as Chair, Love Seat or Sofa. The assembly is completed.



Cleaning & Care

Treat surface with care. Surface is resistant to scratches but is not scratch resistant. Clean surfaces with a dry or damp soft cloth. Do not use abrasive cleaners.