

Dear Customer!

**If hardware is missing or parts
get damaged in shipping,
DO NOT RETURN ENTIRE ITEM.
We can replace hardware and any parts.**

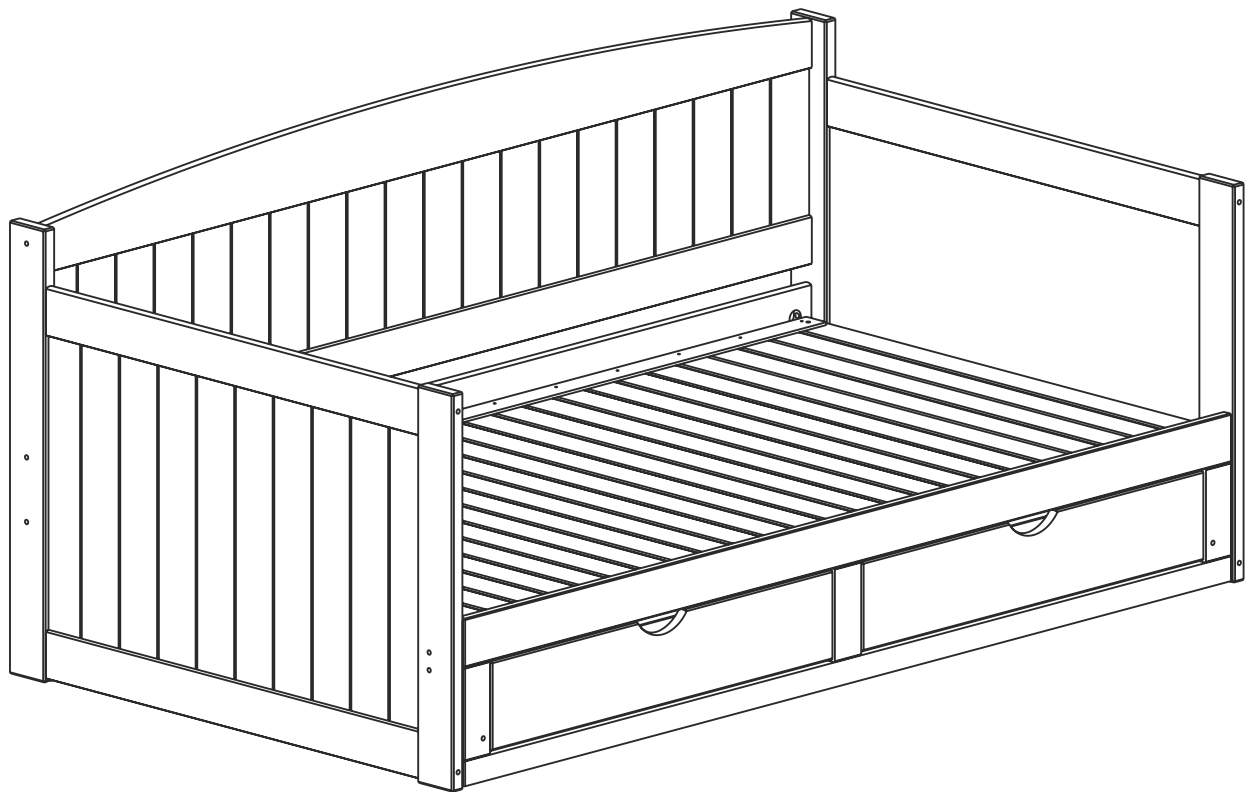
**For best Customer Service experience,
visit our web site at www.boltonfurniture.com
click on Replacement Parts Tab
at top of page to order replacement
hardware or parts.
We will ship replacements directly to you.**



ASSEMBLY INSTRUCTIONS

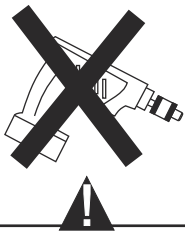


DAYBED WITH KING CONVERSION

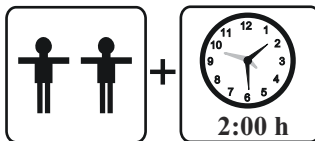


REPLACEMENT PARTS

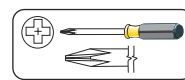
Please do not contact the company purchased from as we can help you faster. Order replacement parts and hardware at "boltonfurniture.com"



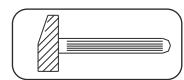
* Use of power tool to assemble this product will invalidate any claim and damage this product making it unsafe !!!
* Please assemble on a clean soft surface to avoid damage.



Tools Required



(Not included)

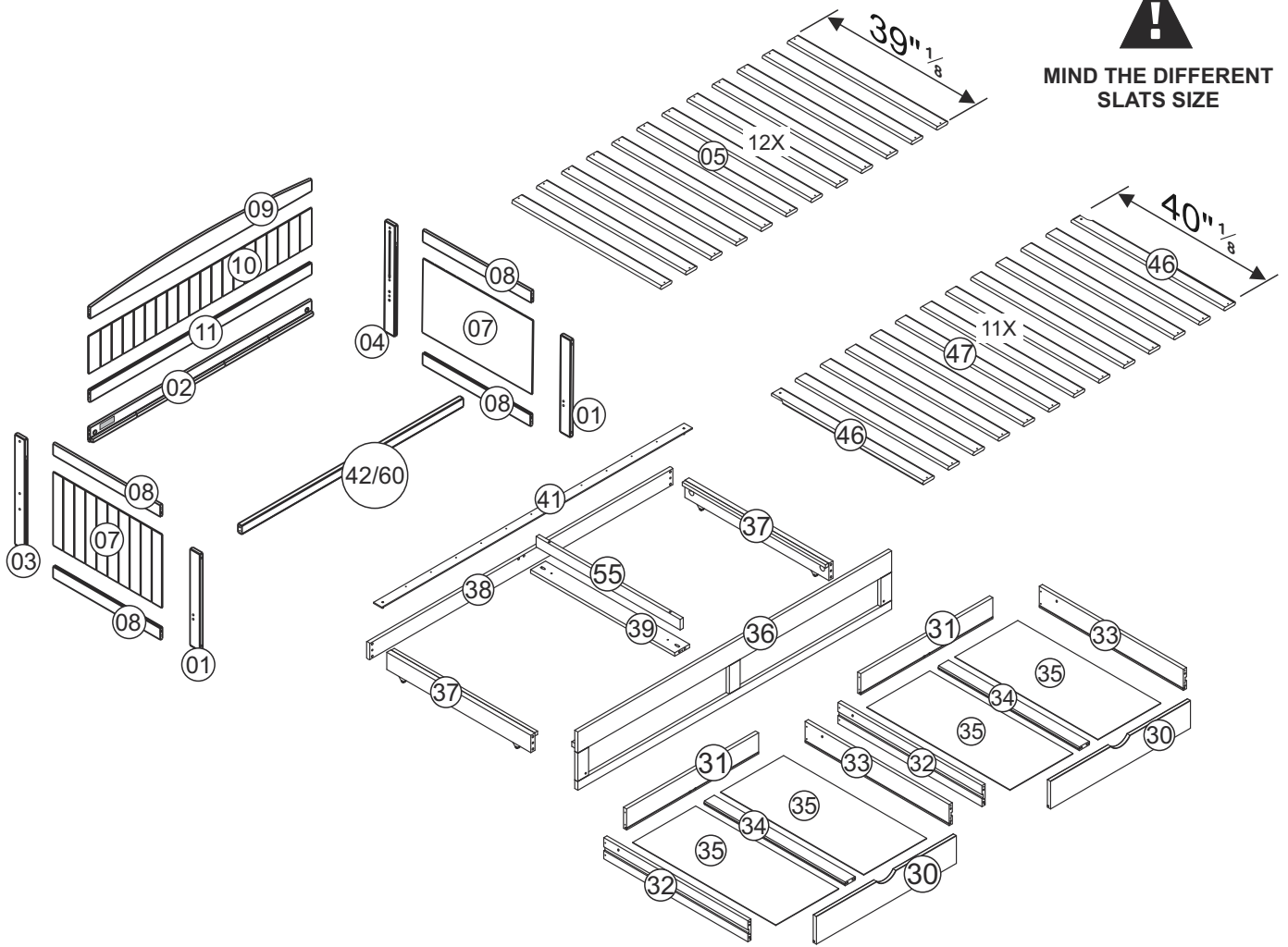


(Not included)

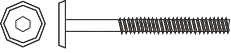






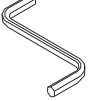
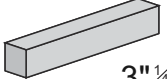



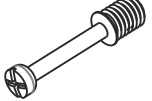


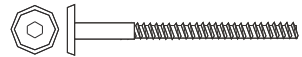


Part List - Daybed With King Conversion



MIND THE DIFFERENT SLATS SIZE

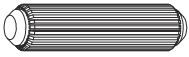


Identifying the Hardware-Identify the hardware using the illustrations below.

A  10 1/4 x 70 x 17mm	B  06	C  47 4,0 x 35
D  04 RD 20	E  16 10X50	F  16 10X40
G  04 7 x 70 x 17mm	H  02	I  02 3" 1/4
K  04 1/4	L  16 8X35	M  02 4,5 x 60
N  08	O  21 4,0 x 16	P  02 6,0 x 45
Q  08 7,0 x 120 X 17	R  02	S  08

01

E



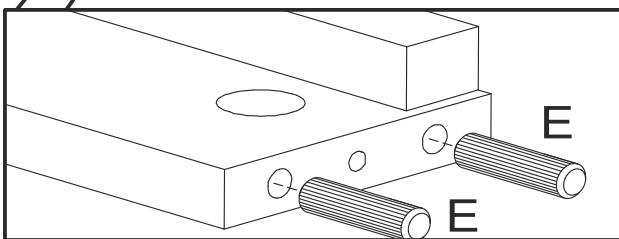
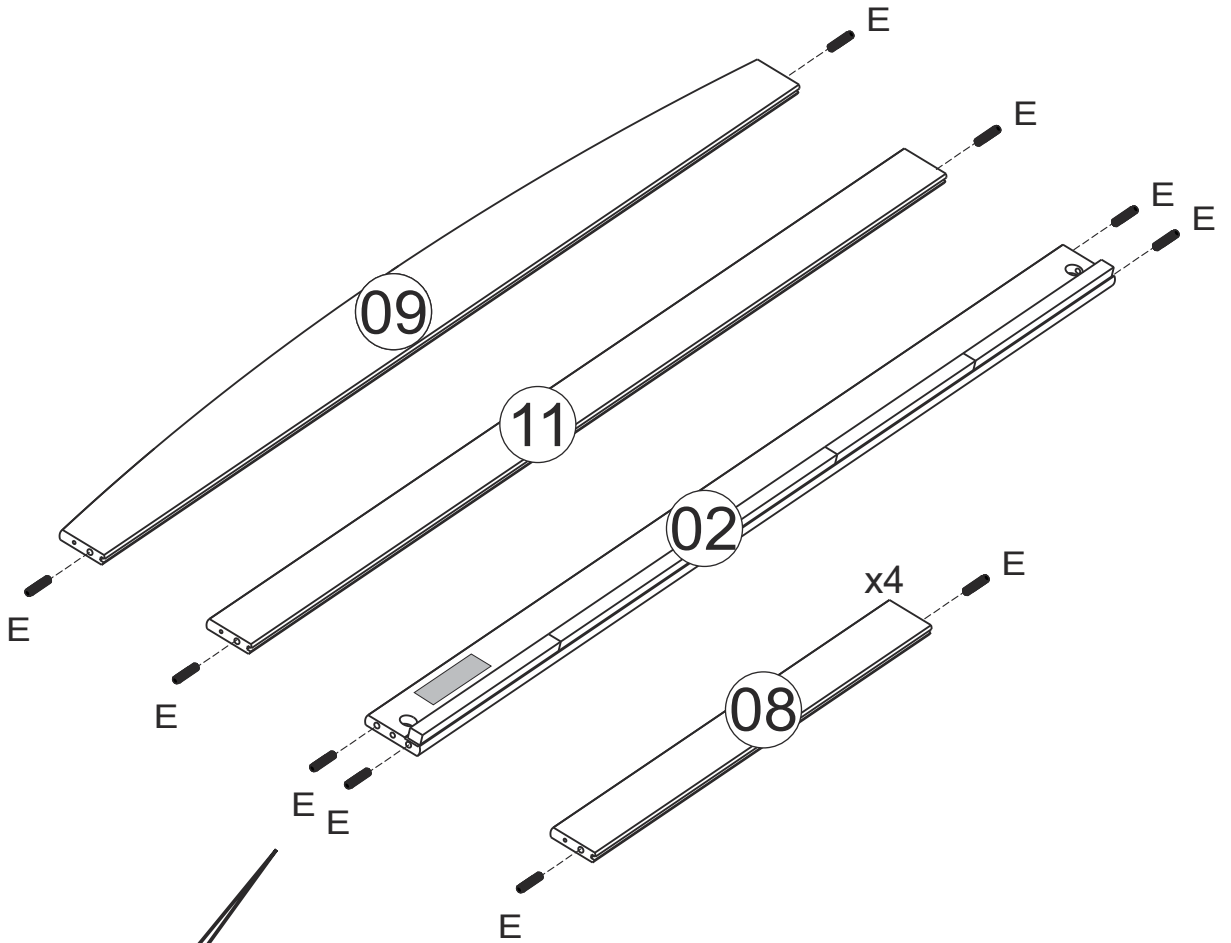
10X50

16

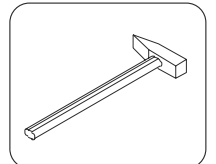
R




01

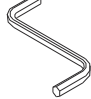


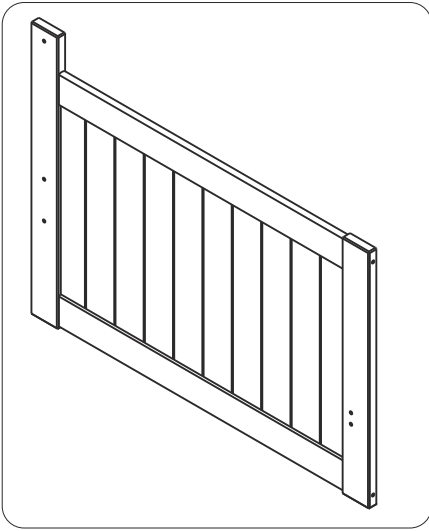
"irreversible operation"



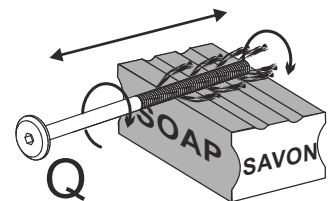
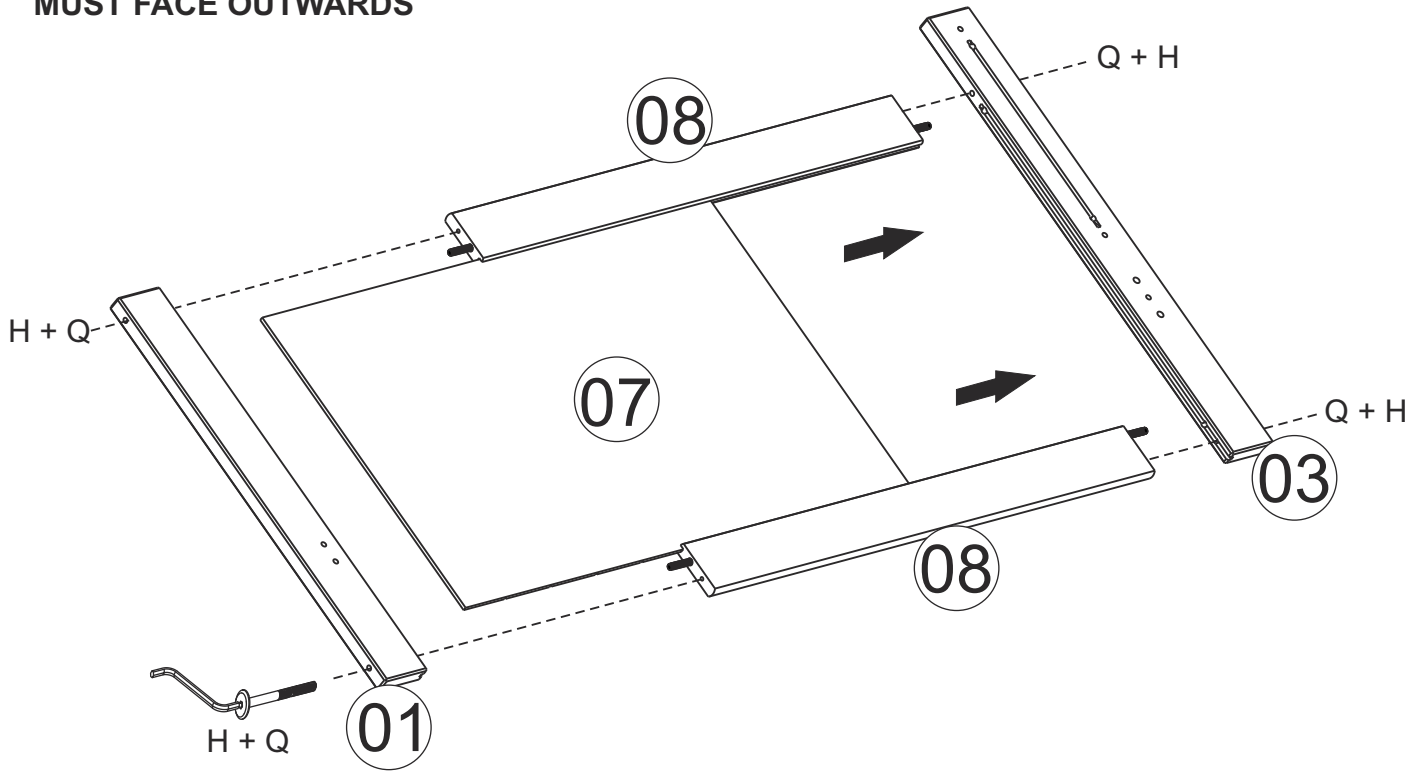
02

Q  04
7,0 x 120 X 17

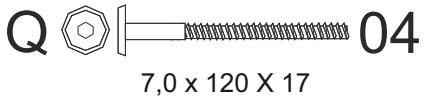
H  01



**GROOVED SIDE
MUST FACE OUTWARDS**

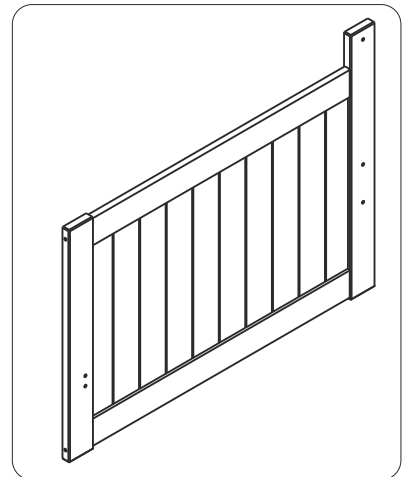


03

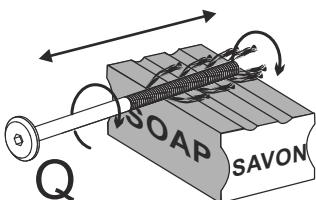
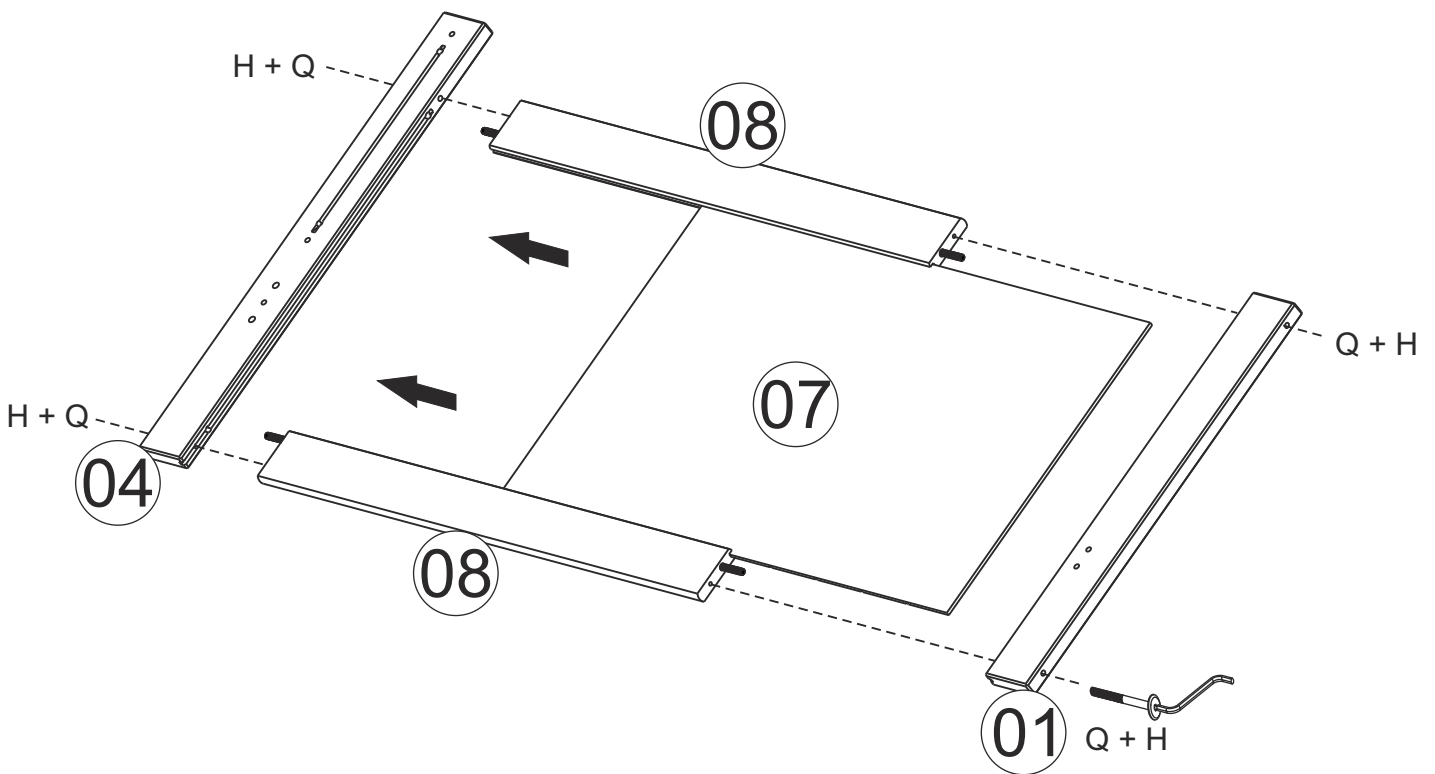


H 

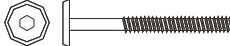
01



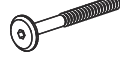
**GROOVED SIDE
MUST FACE OUTWARDS**

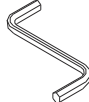


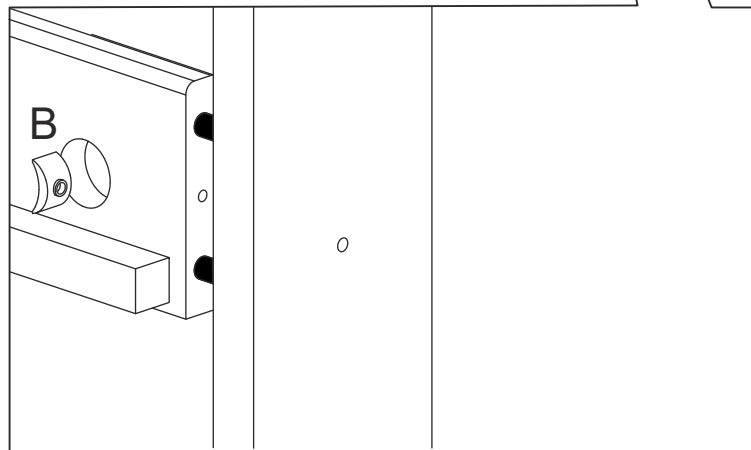
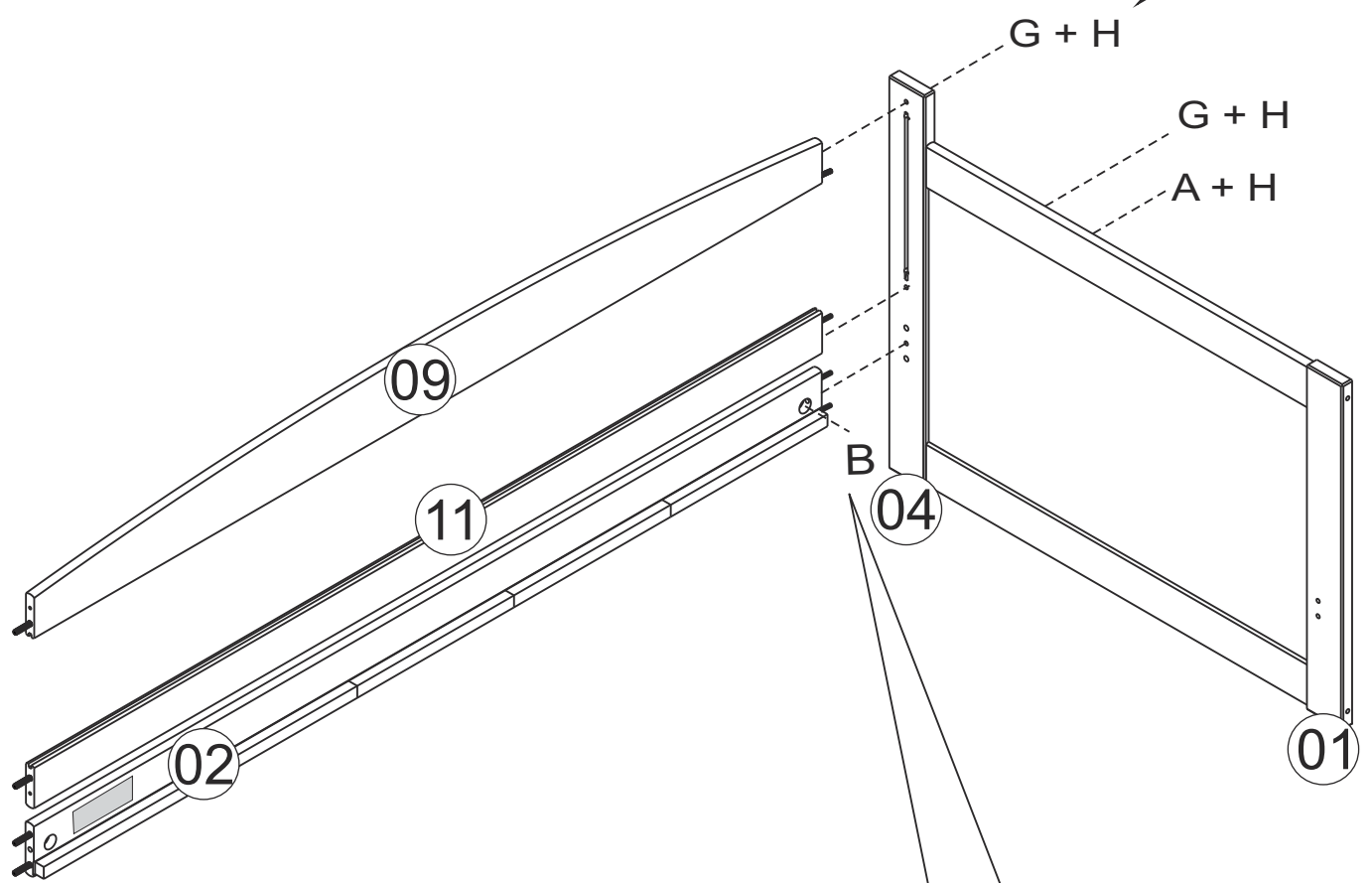
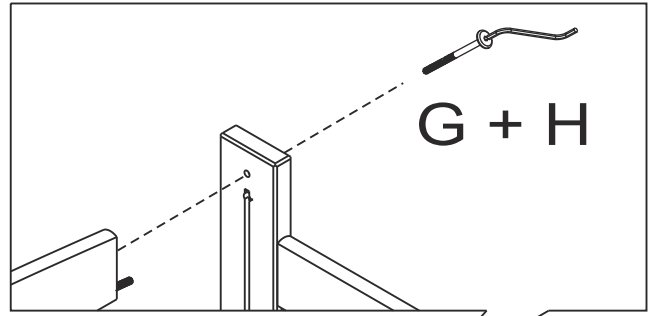
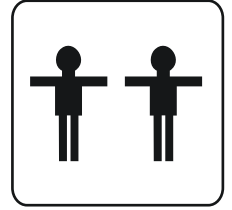
04

A  **01**
1/4 x 70 x 17mm

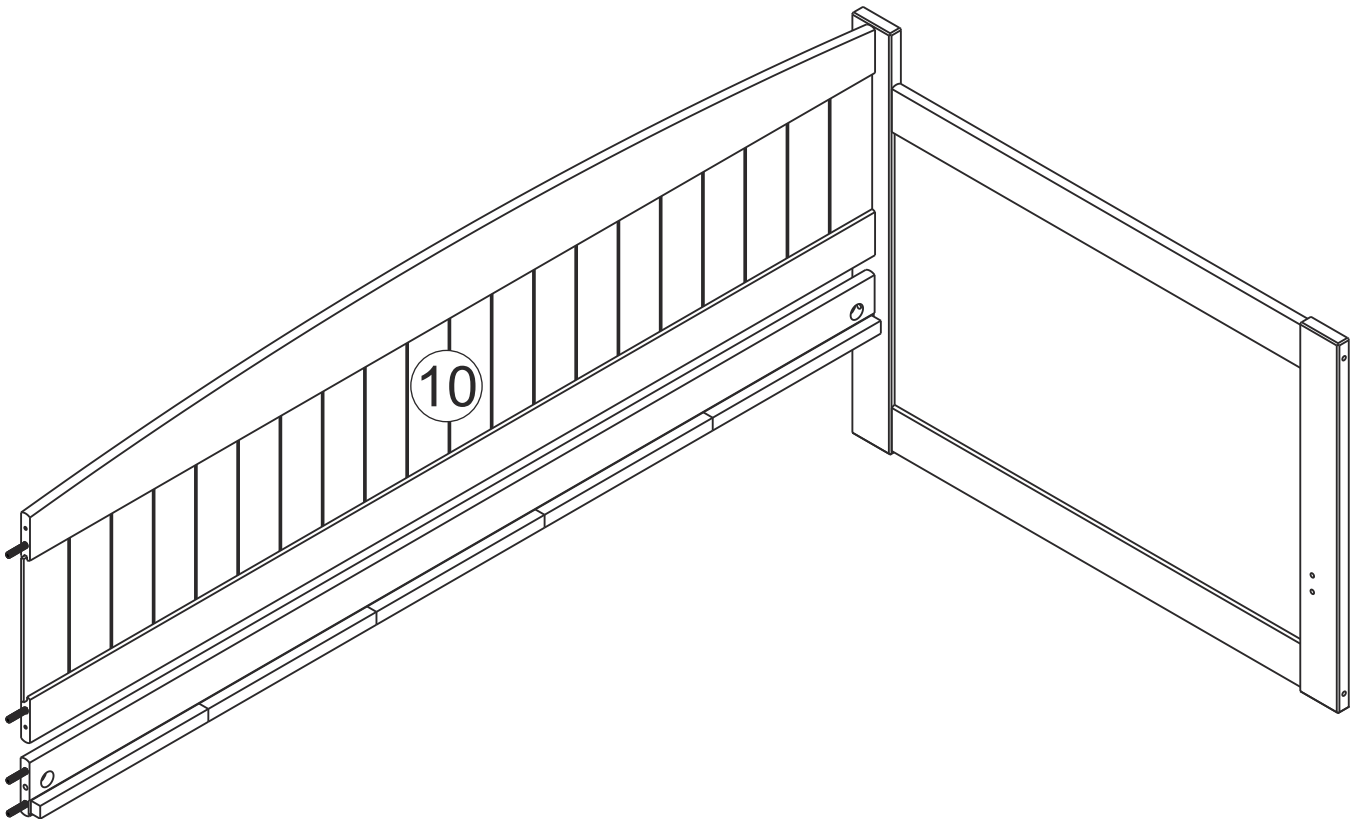
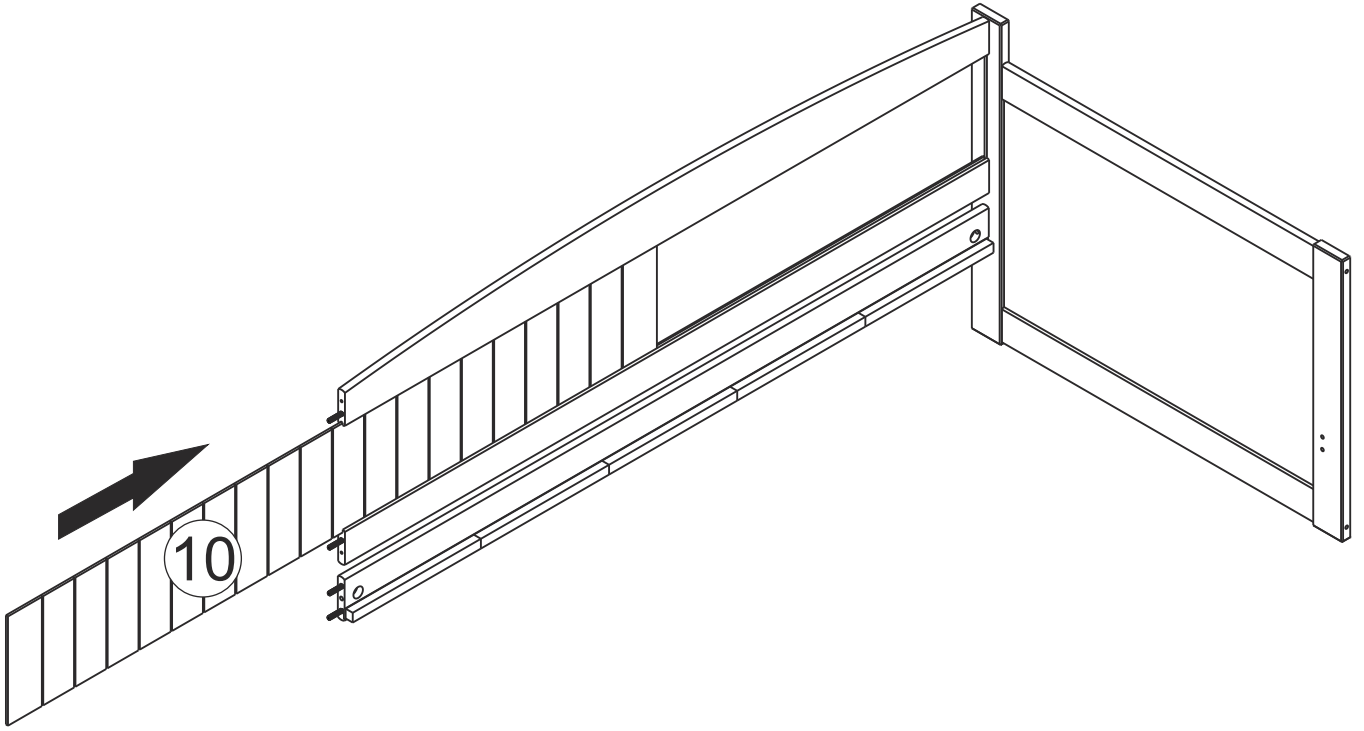
B  **01**

G  **02**
7 x 70 x 17mm

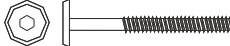
H  **01**




05

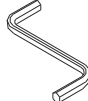


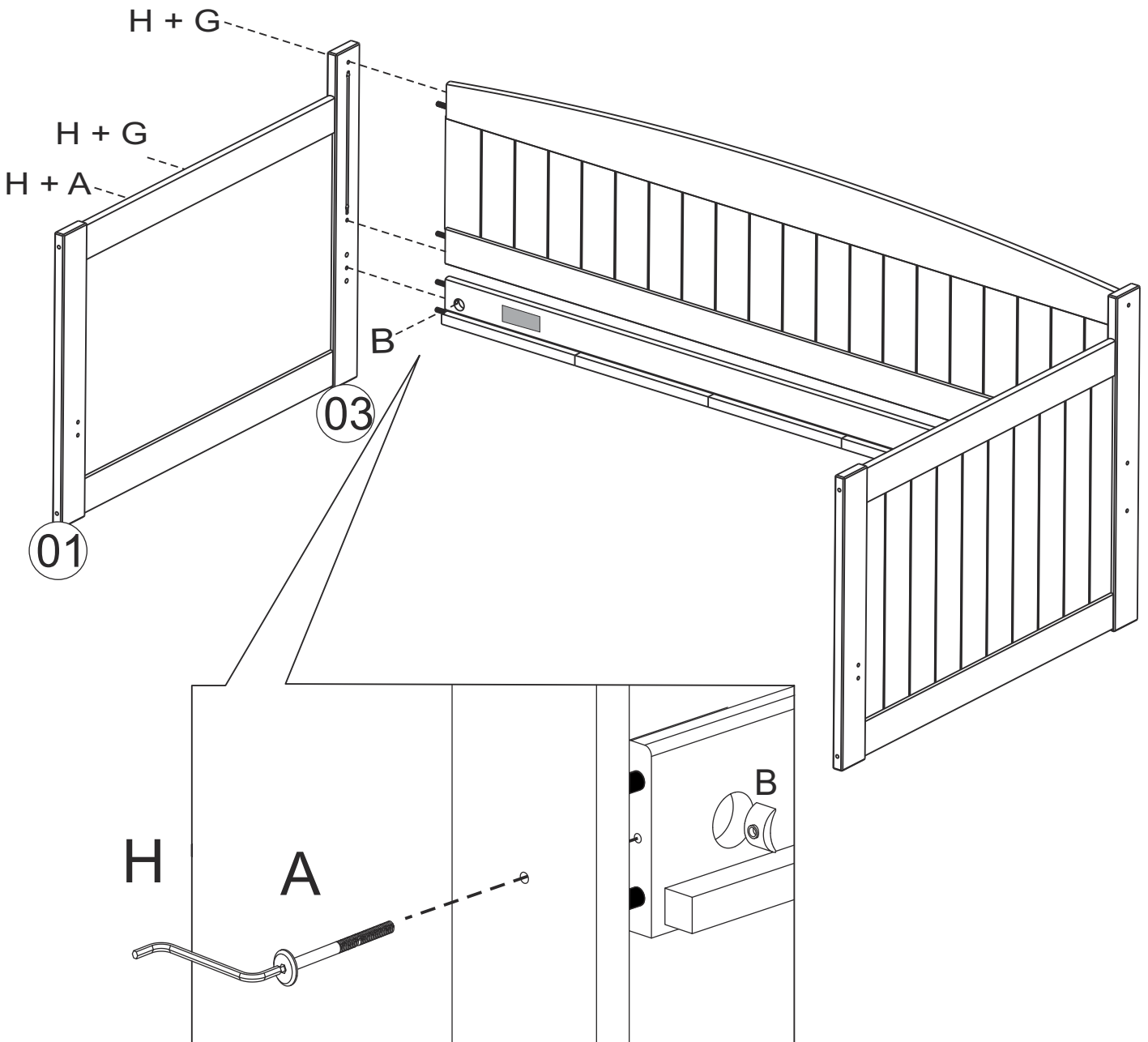
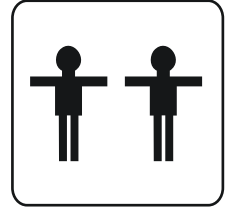
06

A  **01**
1/4 x 70 x 17mm

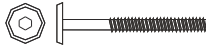
B  **01**

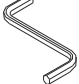
G  **02**
7 x 70 x 17mm

H  **01**

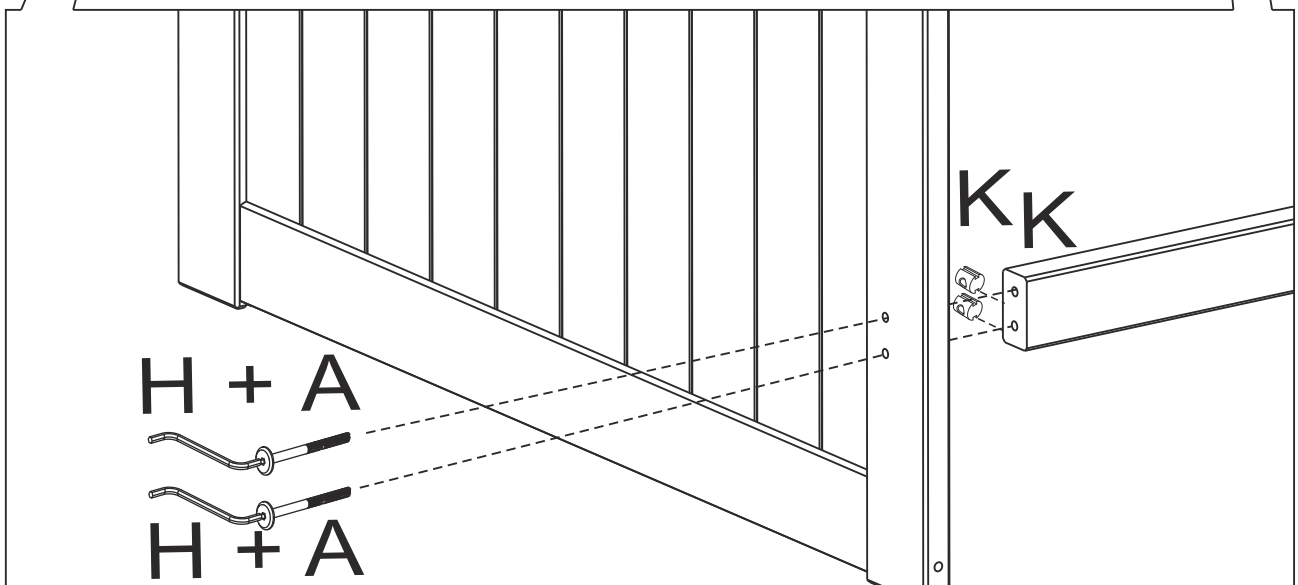
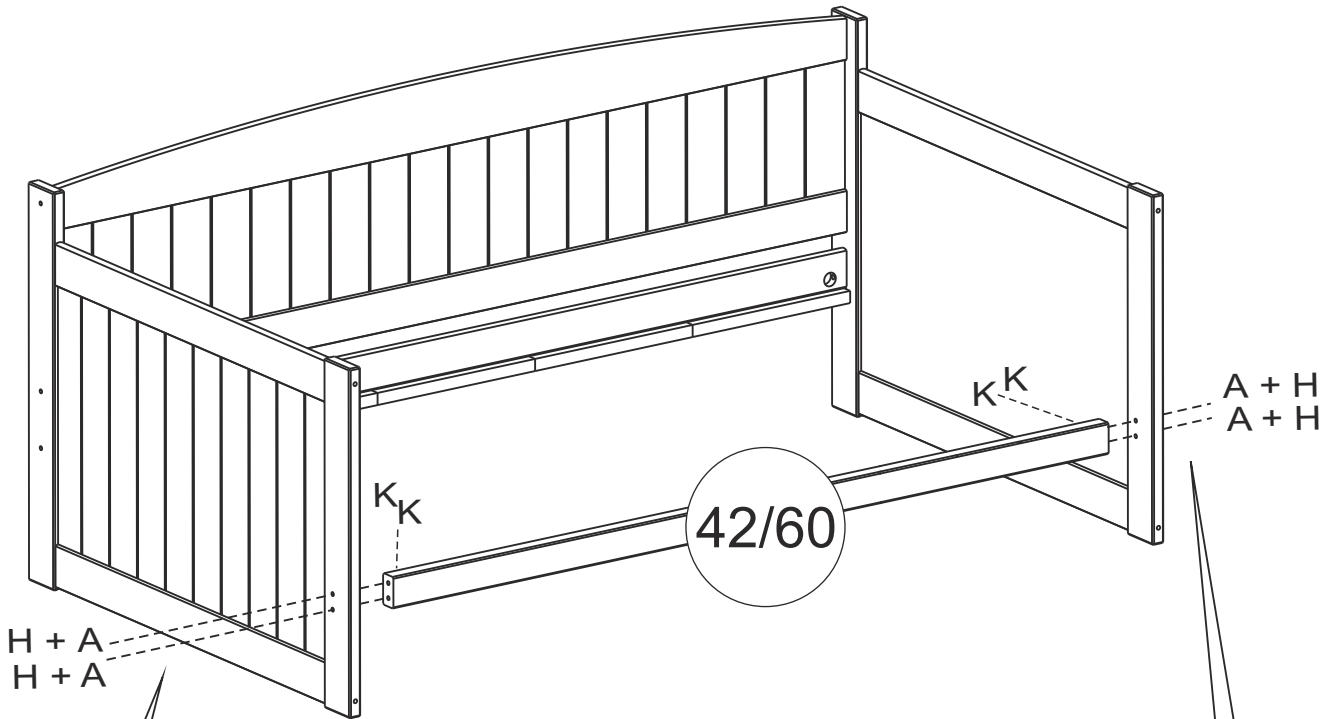


07

A  04
1/4 x 70 x 17mm

H  01

K  04
1/4



08

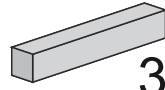
C



4,0 x 35

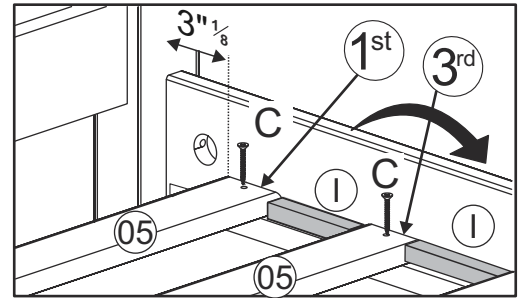
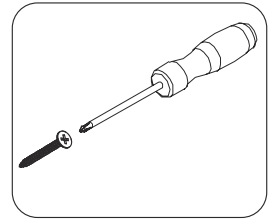
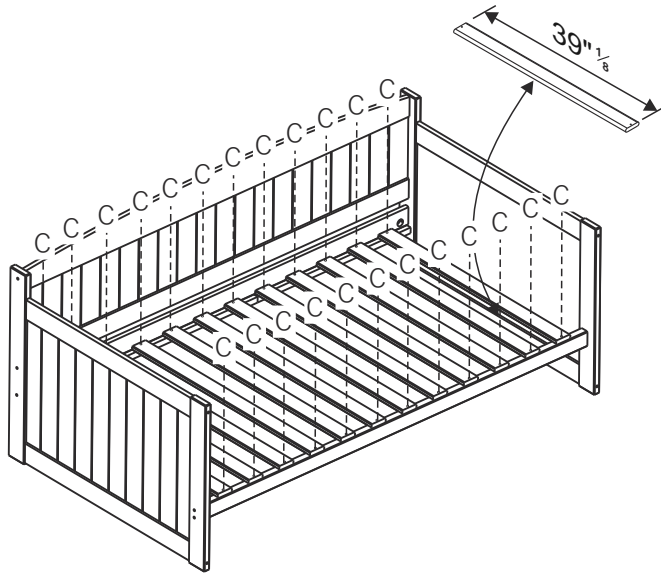
24

I

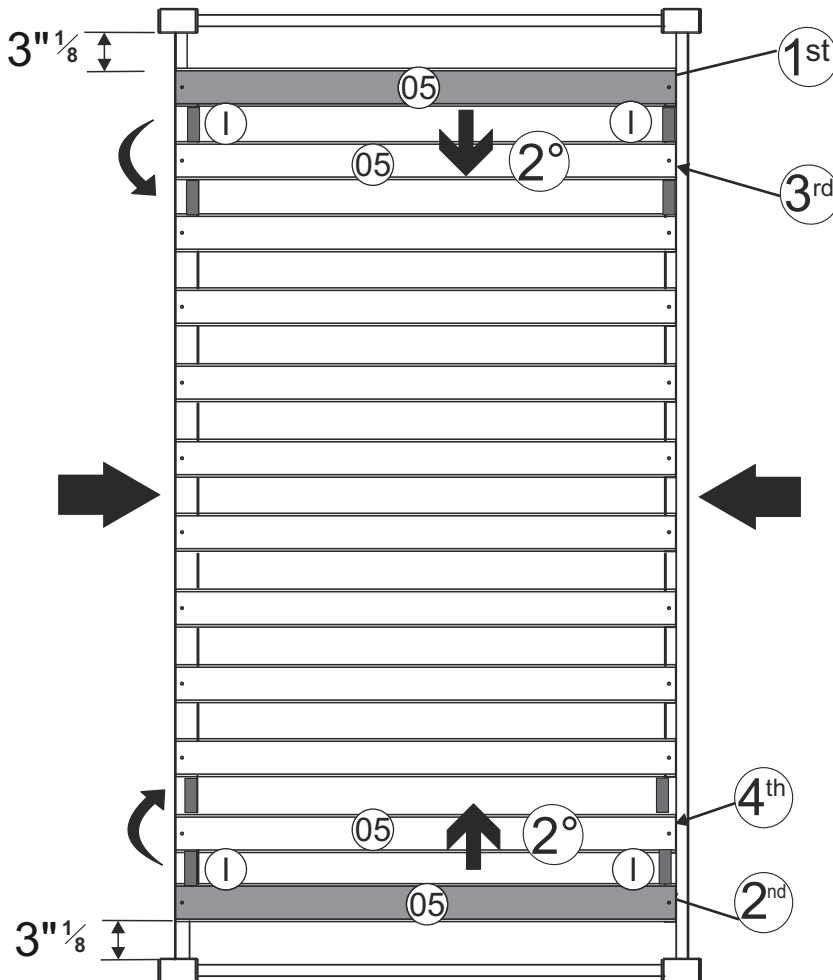


3" 1/4

02



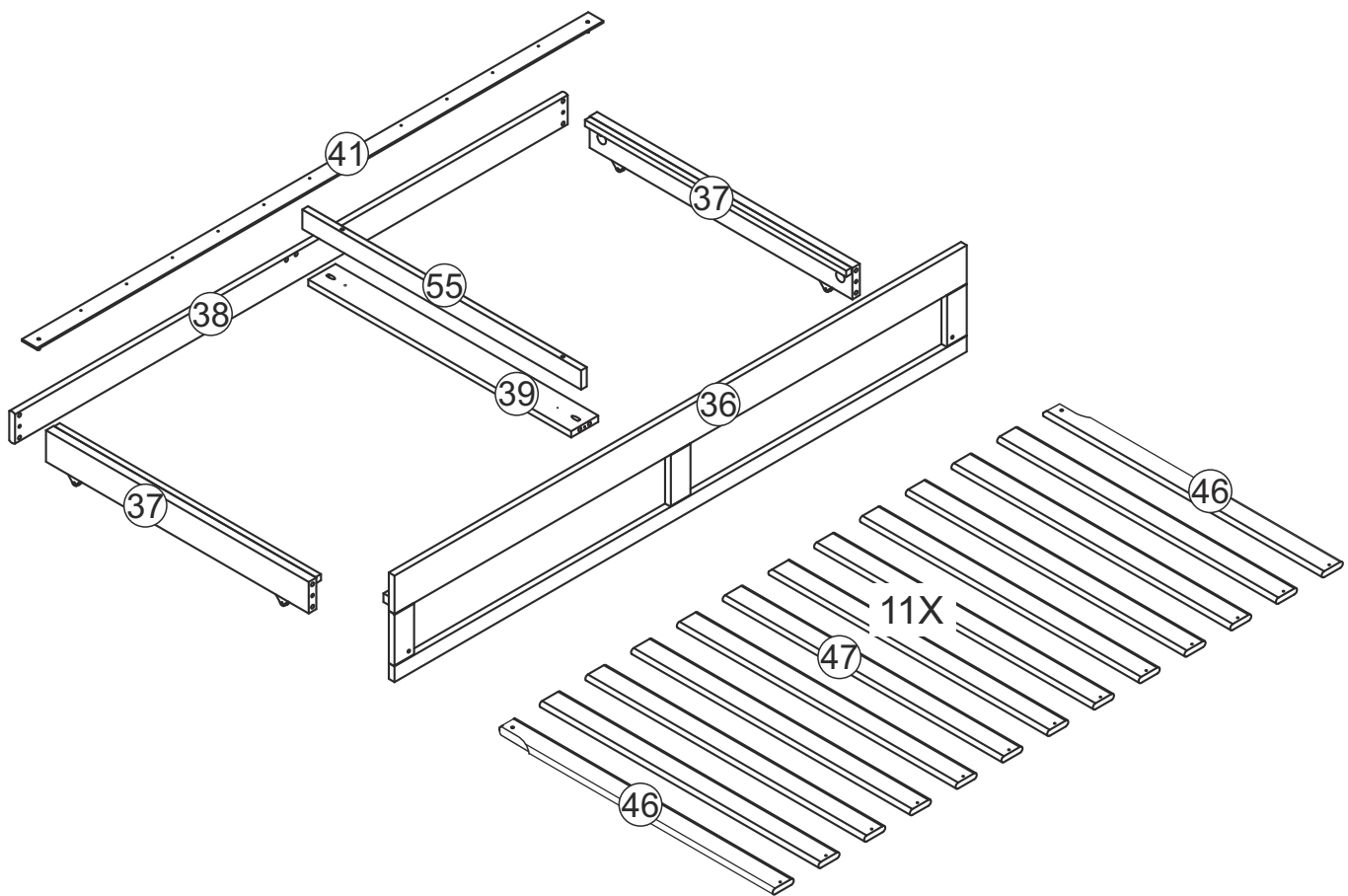
!
SPACING
BETWEEN
BED POST
AND SLATS
MUST BE
3" 1/8



!
SPACING
BETWEEN SLATS
MUST BE 3" 1/4.

**USE THE WOOD
SPACER I**

**FIX THE SLATS FROM
OUTSIDE IN.
ALTERNATING SIDES
1st, 2nd, 3rd,...**



09

D



RD 20

04

F



10X40

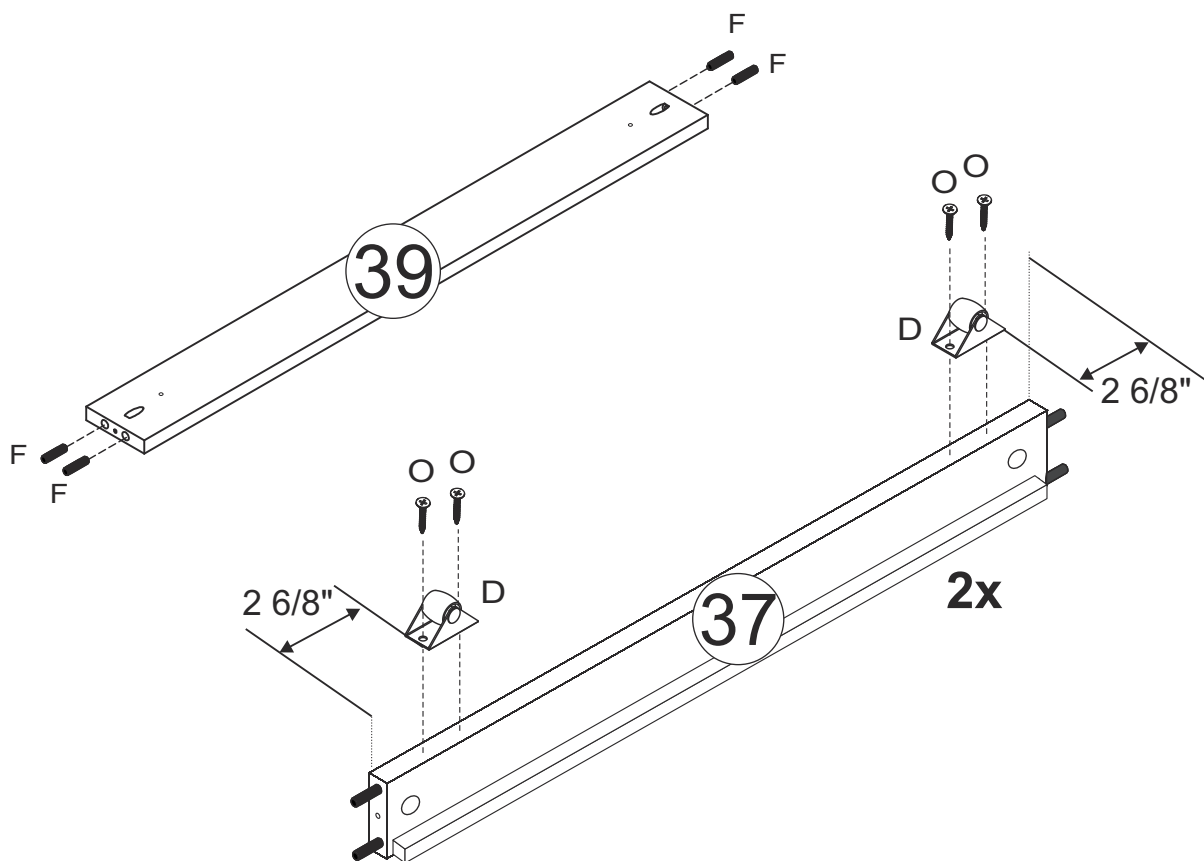
12

O

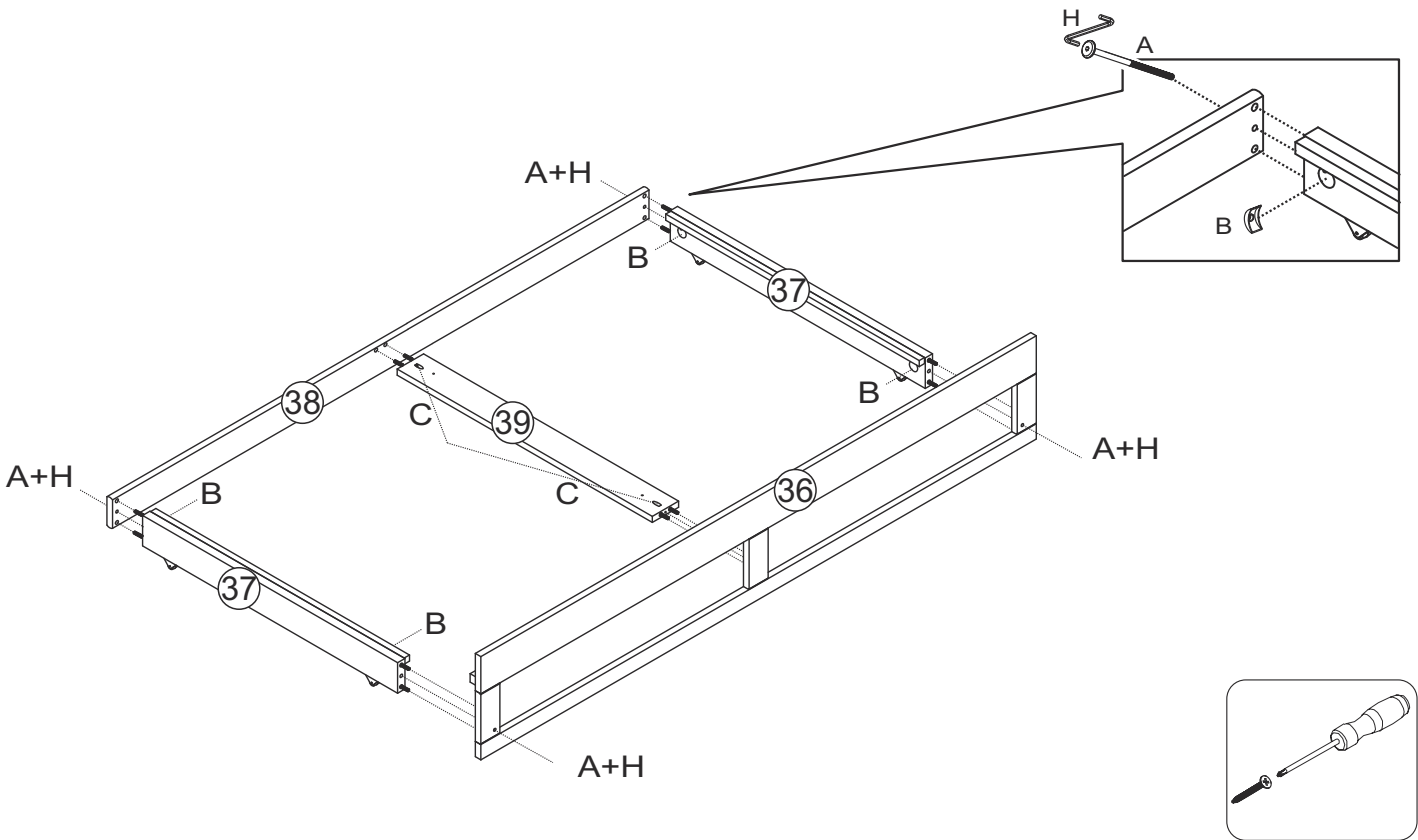
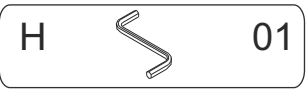
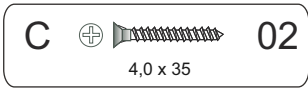
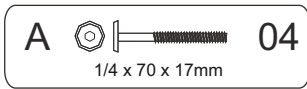


4,0 x 16

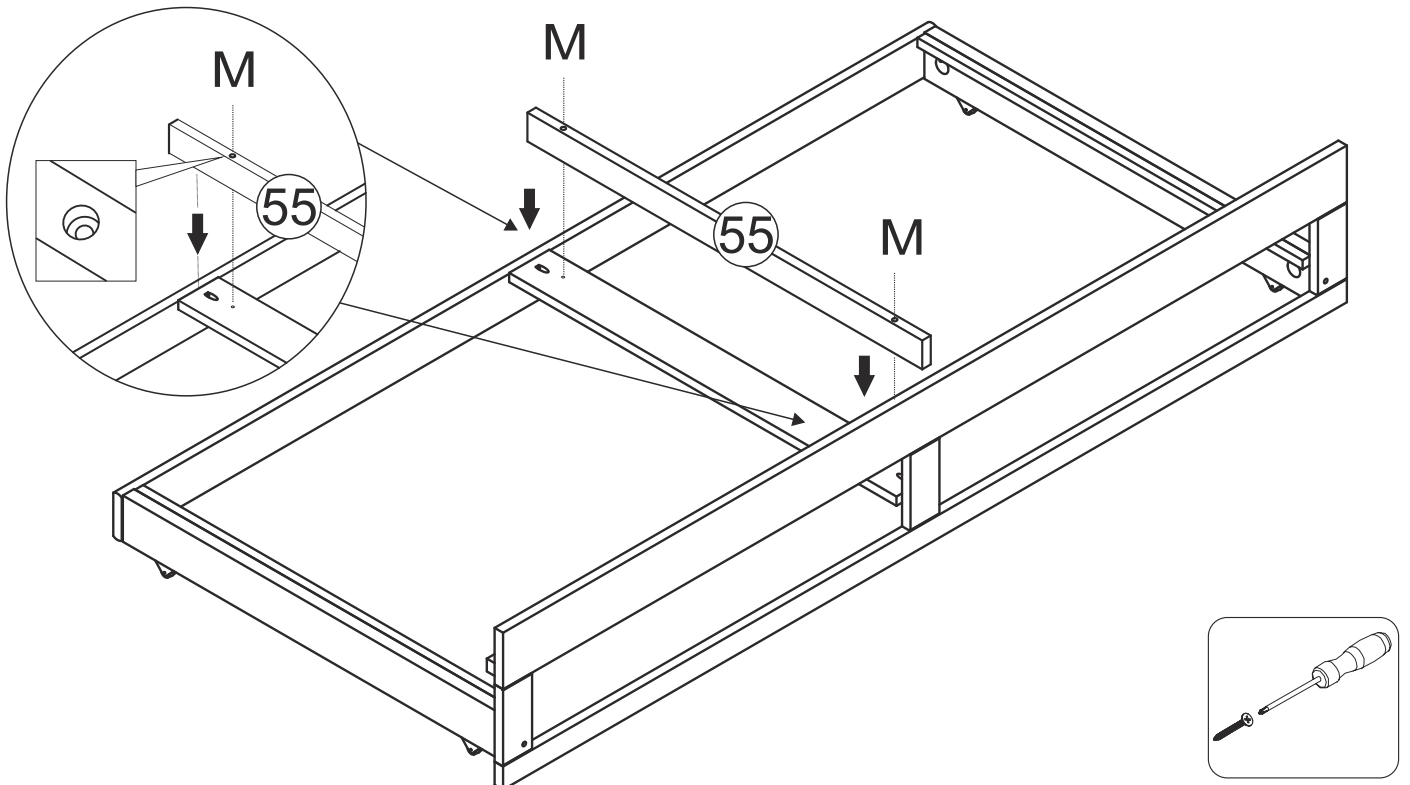
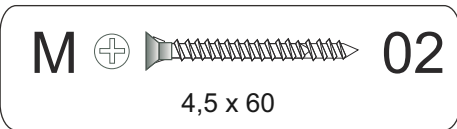
08



10



11



12

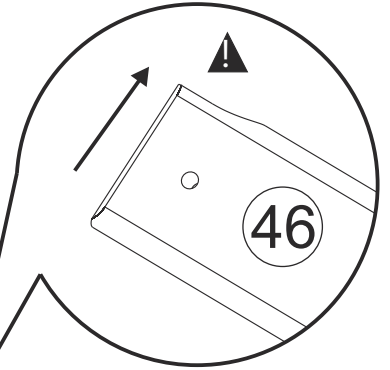
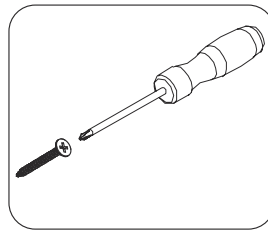
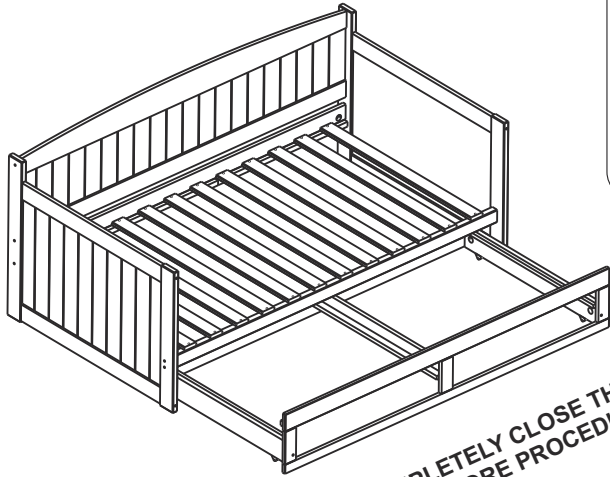
C



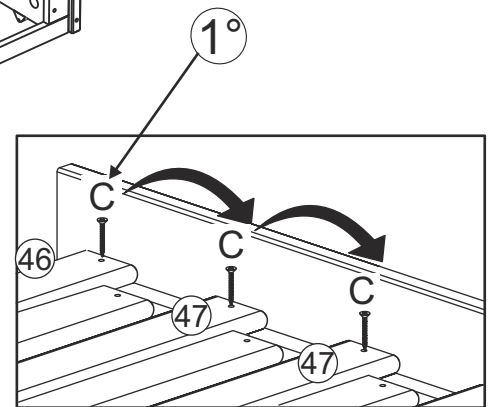
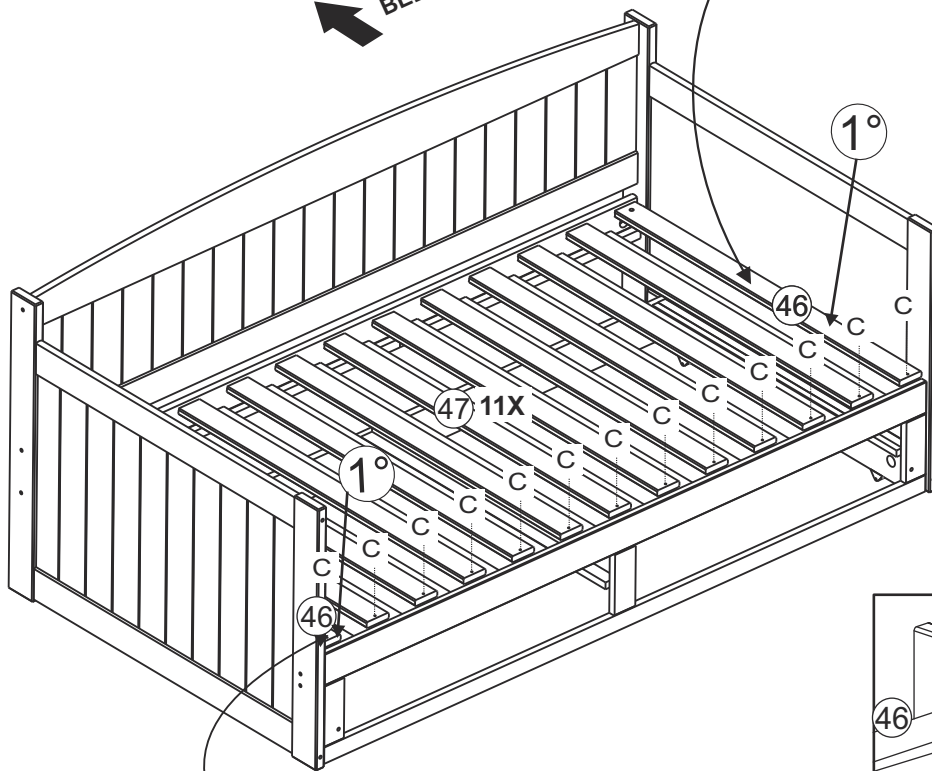
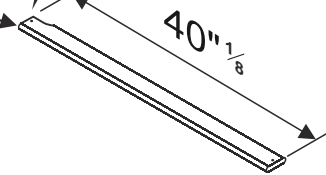
4,0 x 35

13

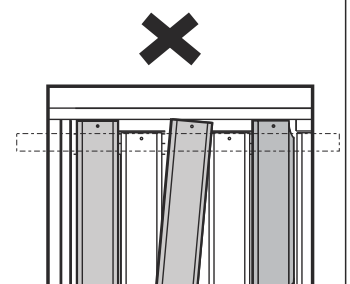
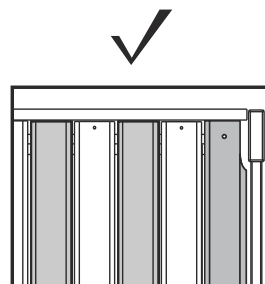
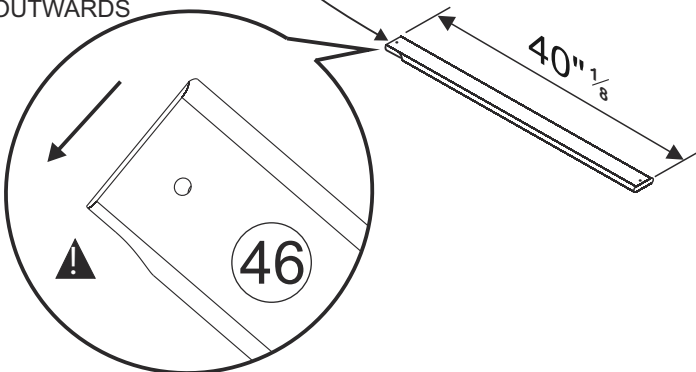
CHAMFERED
SIDE
FACING
OUTWARDS



COMPLETELY CLOSE THE
BED BEFORE PROCEEDING



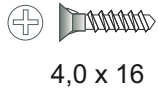
CHAMFERED
SIDE
FACING
OUTWARDS



MAKE SURE THE SLATS ARE ALIGNED
AND NOT TOUCHING EACH OTHER

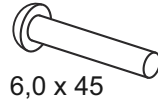
13

O

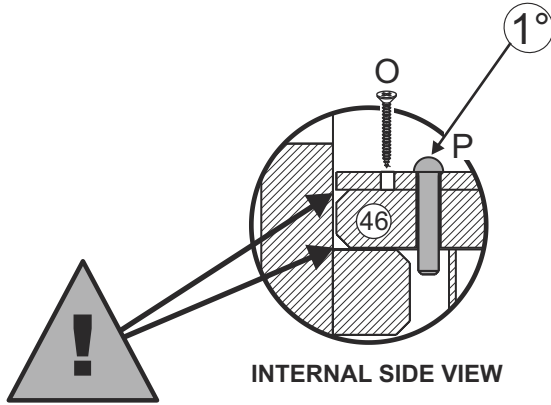


13

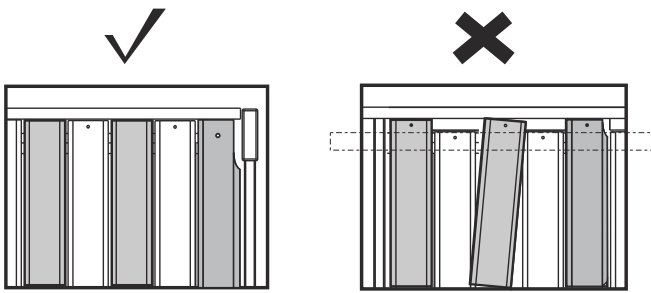
P



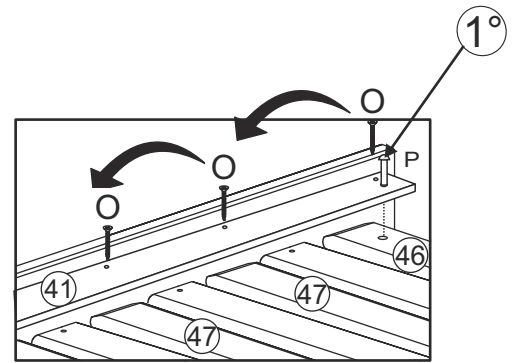
02



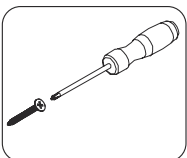
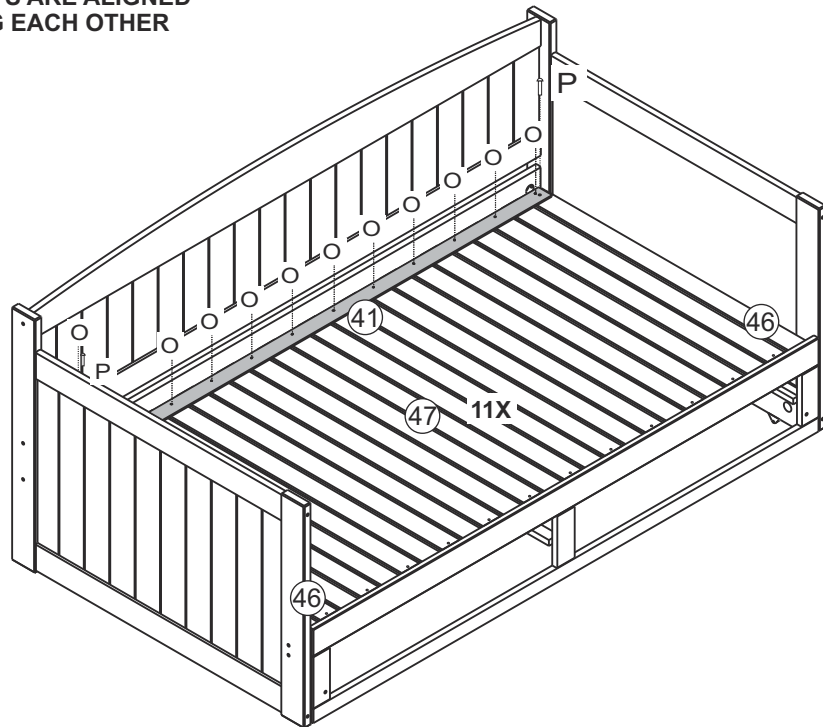
INTERNAL SIDE VIEW

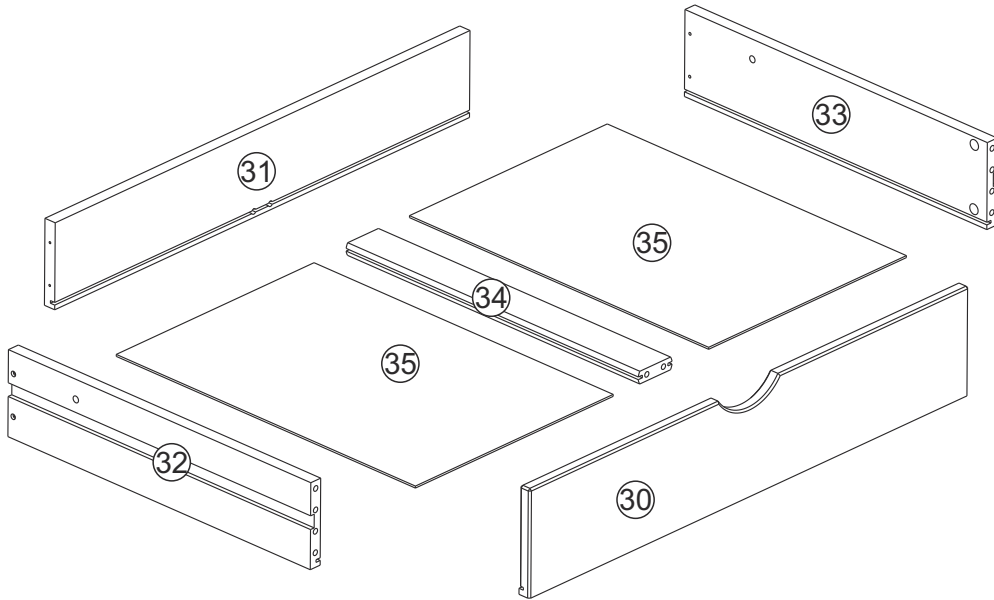


MAKE SURE THE SLATS ARE ALIGNED AND NOT TOUCHING EACH OTHER



SECURE THE STRIP O WITH THE METAL PIN P. THEN PROCEED WITH FIXING THE SLATS

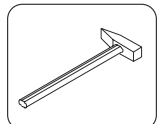
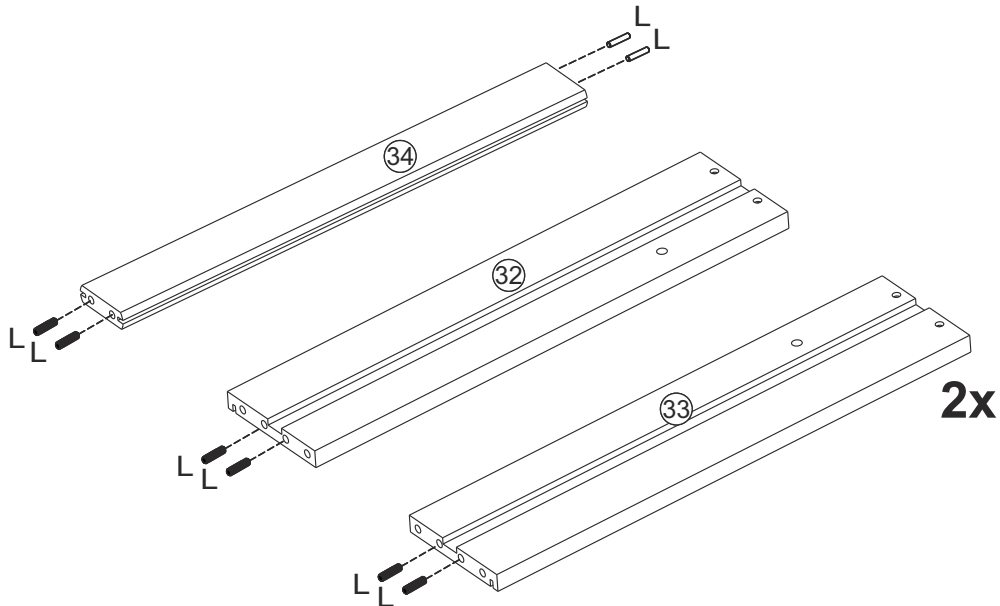




2x


14

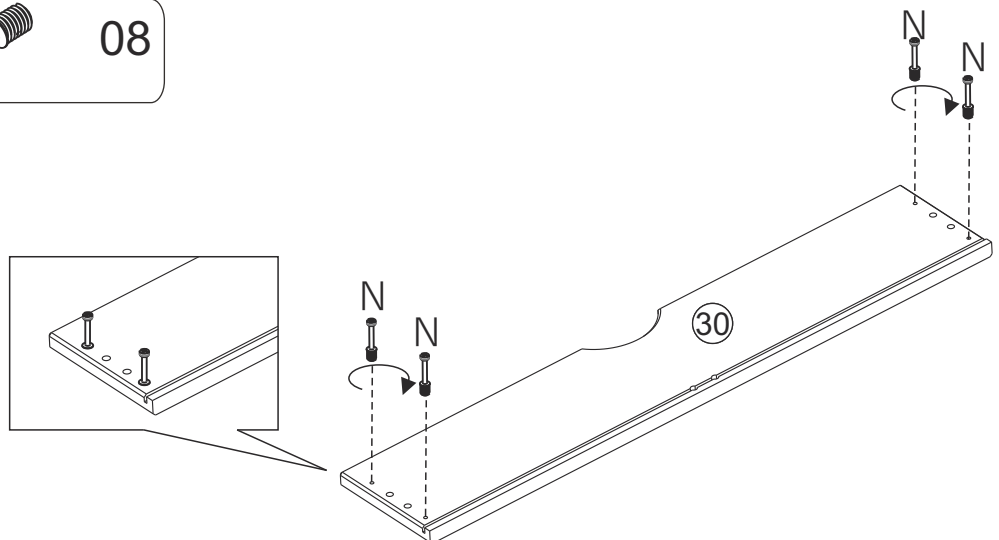
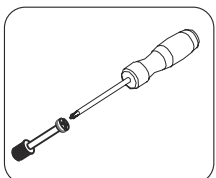
L		16	R		01
---	---	----	---	---	----



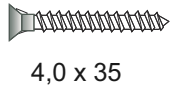
! "Irreversible operation"

15

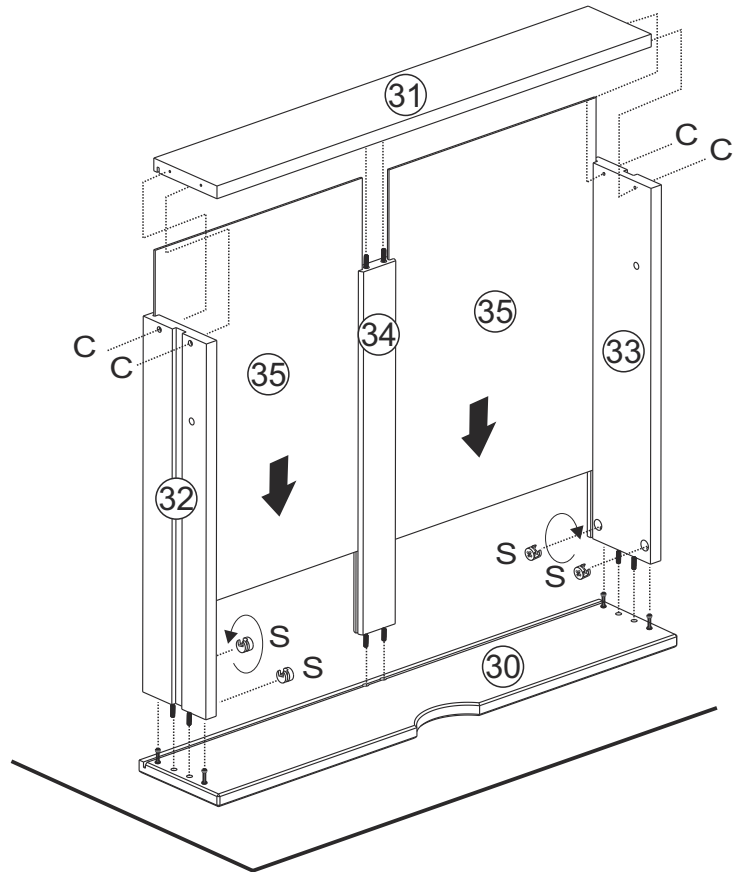
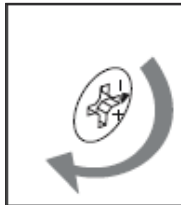
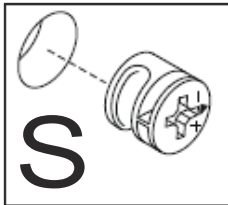
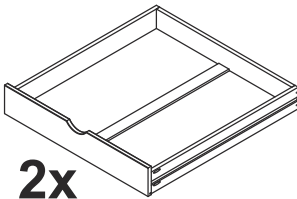
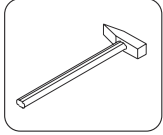
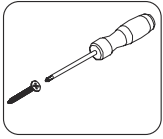
N		08
---	---	----



16

C

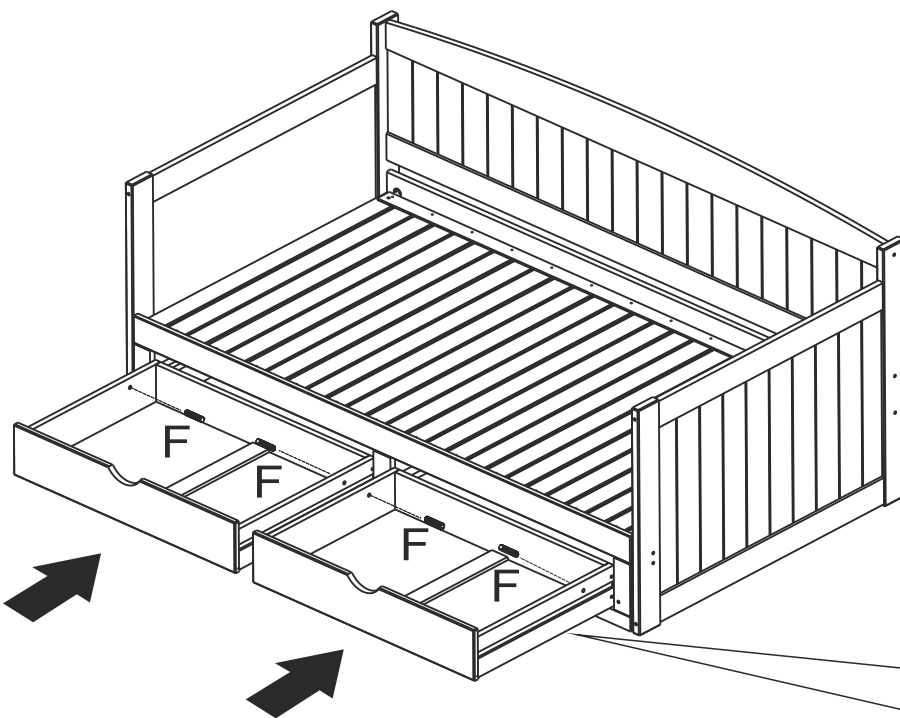
4,0 x 35

08**S****08**

17

F

10X40

04

**CLOSE THE DRAWER
PARTIALLY SO THAT THE
WOODEN LOCK CAN BE
INSERTED**

