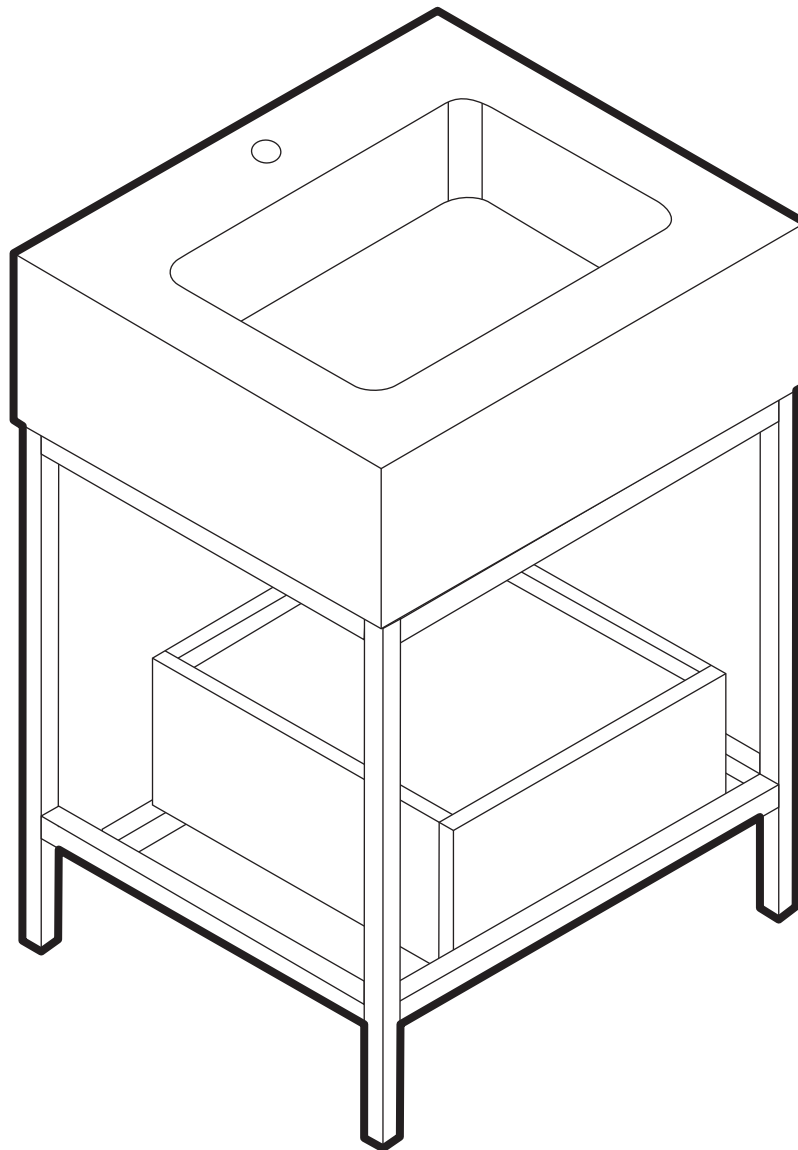


Freestanding Vanity

INSTALLATION INSTRUCTIONS





PRIOR TO INSTALLATION:

- Inspect product to ensure no damages have occurred while in shipping.
- Observe all plumbing and building codes in accordance with your state and local requirements.
- Floor must be level prior to installation of vanity.
- All dimensions are nominal! Be sure to measure your vanity prior to installation.
- The step-by-step guidelines in the installation instructions are a general reference. Should there be any discrepancies, Swiss Madison cannot be held liable. It is recommended to install all Swiss Madison products by hiring a licensed professional.
- Read installation and maintenance instructions thoroughly before installing. Be sure to use proper tools and always wear proper personal safety accessories for your protection.

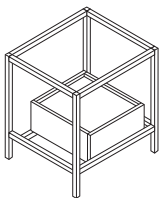
QUESTIONS OR CONCERNS?

Please contact us:

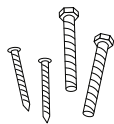
1-434-623-4766

info@swissmadison.com

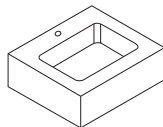
INCLUDED PARTS:



Vanity Base



Hardware



Vanity Sink

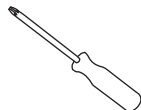
SUGGESTED TOOLS & MATERIALS:



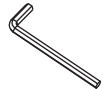
Safety Glasses



Gloves



Screwdrivers



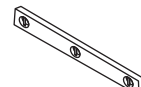
Allen Wrench



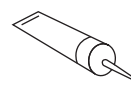
Silicone



Drop Cloth



Level



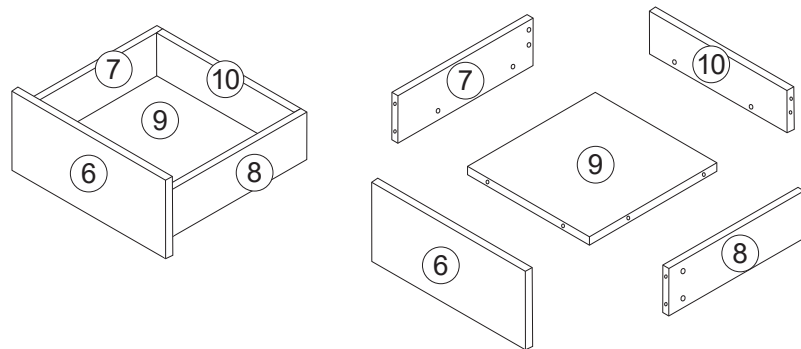
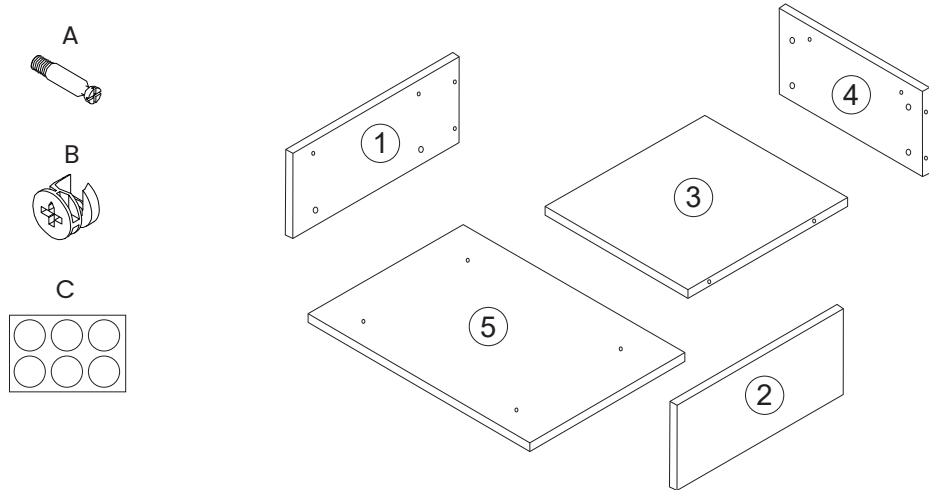
Adhesive



Drill

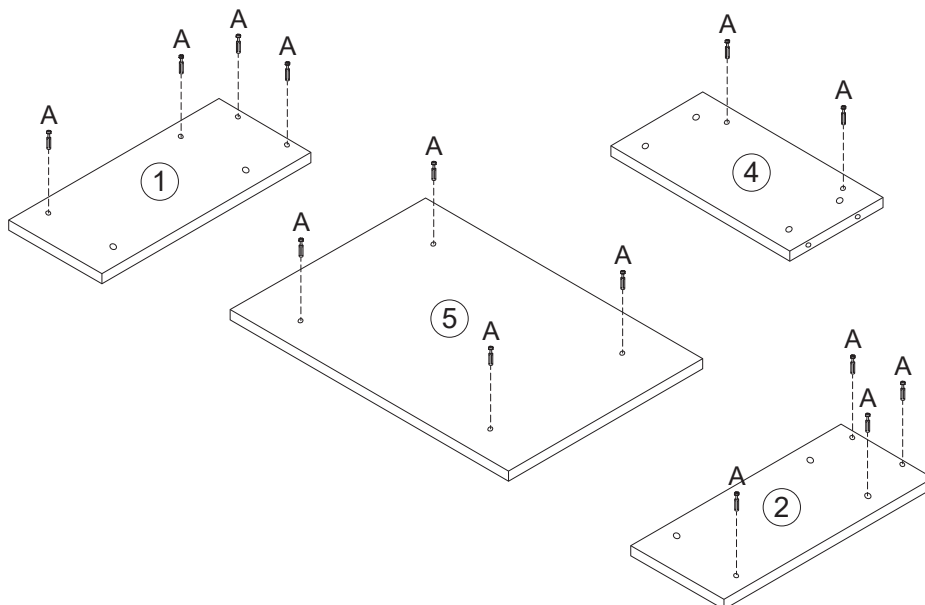
Parts for Reference:

- 1. Left side panel
- 2. Right side panel
- 3. Top panel
- 4. Back panel
- 5. Bottom panel
- 6. Drawer front panel
- 7. Drawer left panel
- 8. Drawer right panel
- 9. Drawer bottom panel
- 10. Drawer back panel
- A. Cam bolt
- B. Cam lock
- C. Cam patch



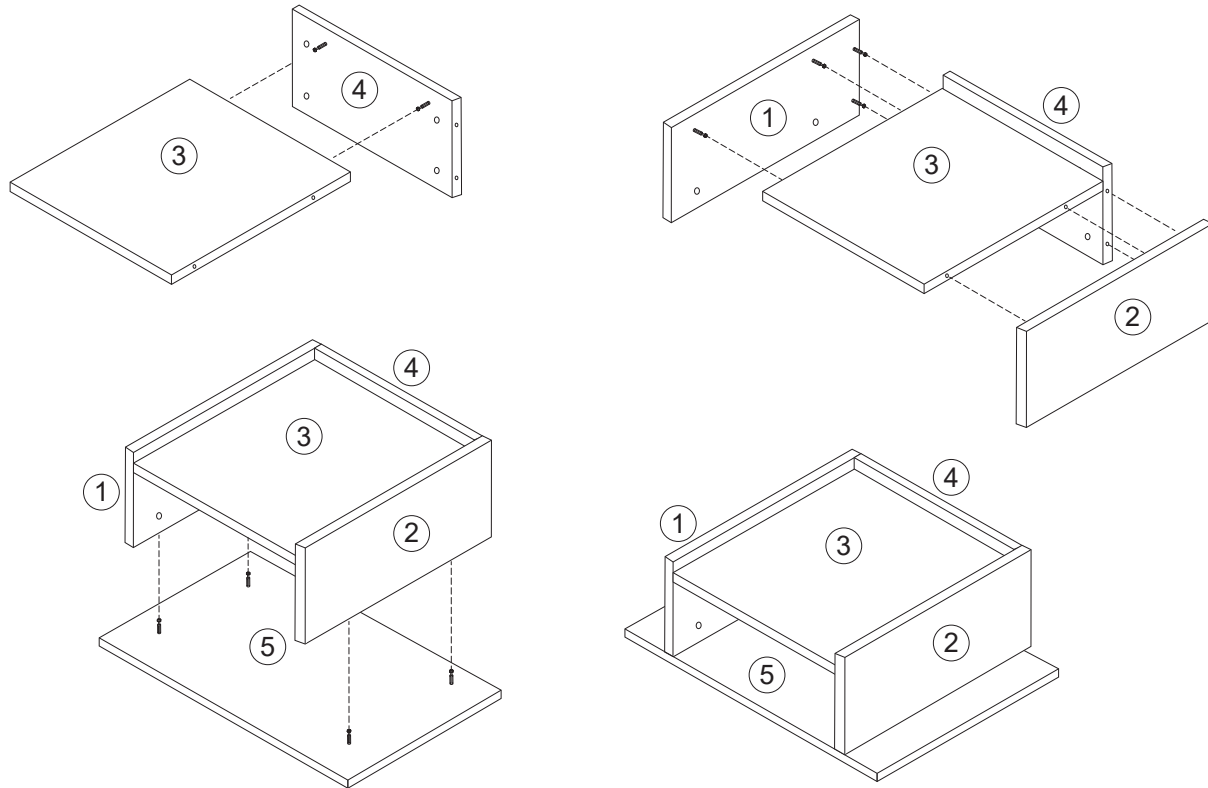
1 Install Side Panel

- Screw 4 cam bolts (A) into the Left side panel (1). Repeat for the Right side panel (2)
- Screw 4 cam bolts (A) into the Bottom panel (5)
- Screw 2 cam bolts (A) into the Back panel (4)



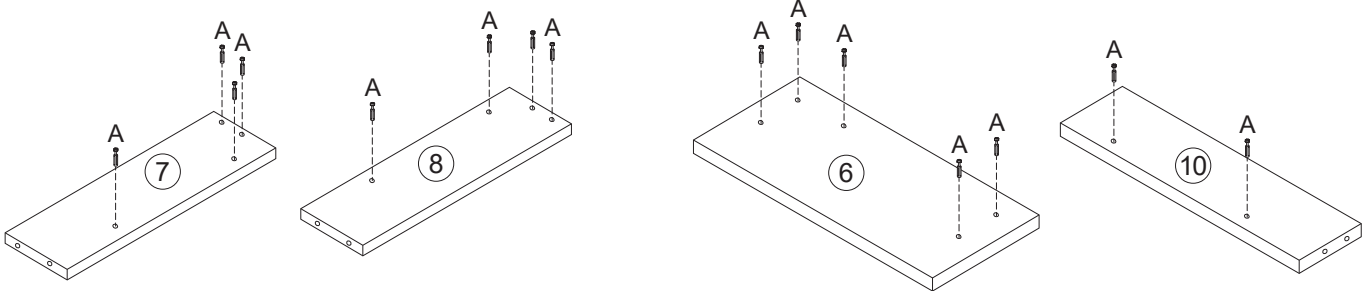
2 Assemble Cabinet Body

- Connect the Back panel (4) to the Top panel (3) Use 2 cam locks (B) to secure in the place.
- Attach the Top panel and Back panel to the Left side panel (1) and secure using 4 cam locks (B).
- Attach the Top panel and Back panel to the Right side panel (2) and secure using 4 cam locks (B).
- Connect the bottom panel (5) to the Left/Right side panel. Use 4 cam locks (B) to secure in place.



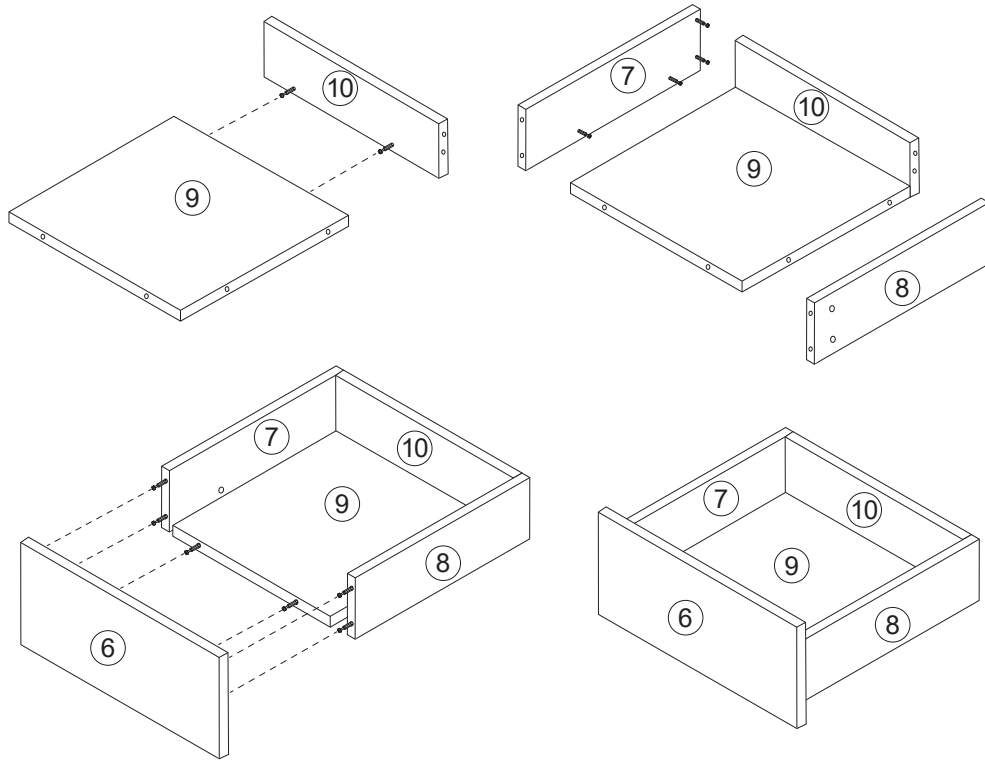
3 Install Drawer Panel

- Screw 4 cam bolts (A) into the Drawer left side panel (7). Repeat for the Right side panel (8)
- Screw 5 cam bolts (A) into the Drawer front panel (6)
- Screw 2 cam bolts (A) into the Drawer back panel (10)

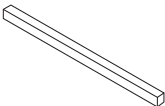
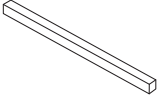
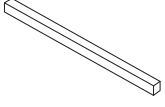
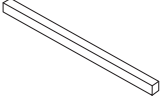


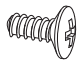
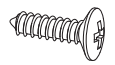
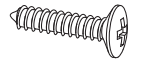
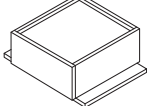
4 Assemble Drawer Panel

- Connect the Drawer back panel (10) to the Drawer bottom panel (9). Use 2 cam locks (B) to secure in place.
- Attach the Drawer back panel (10) and the Drawer bottom panel (9) to the Drawer left side panel (7) and secure using 4 cam locks (B).
- Repeat for the Drawer right side panel (8).
- Connect the Drawer front panel (6) to the Left/Right drawer side panel. Use 6 cam locks (B) to secure in place.



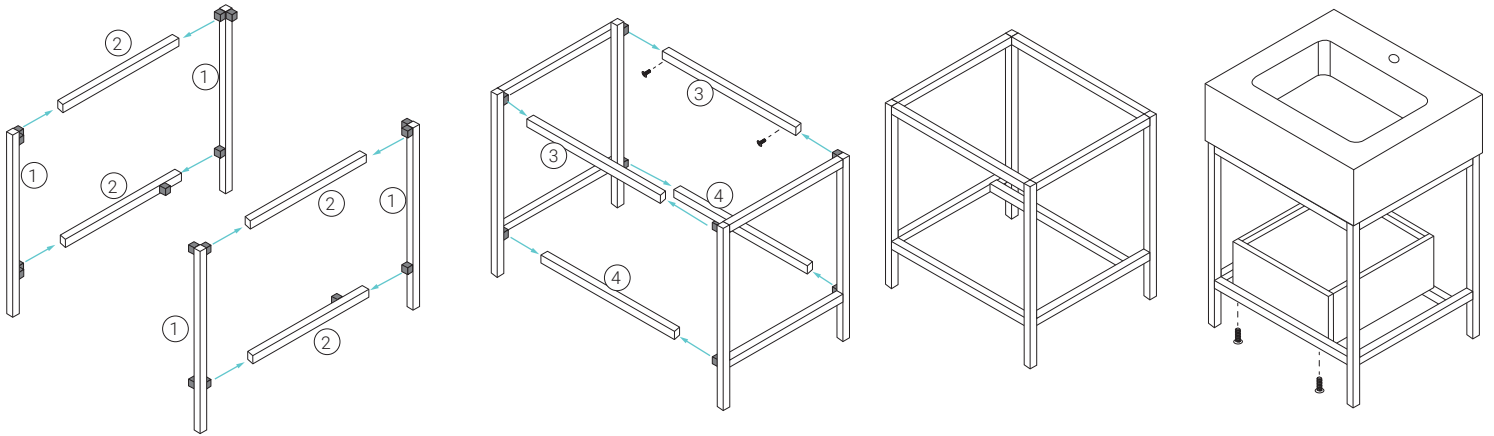
5 Frame Parts for Reference

No	Parts	Description	Qty
①		25 x 25 x 640 Aluminum Bar	4
②		25 x 25 x 465 Aluminum Bar	4
③		25 x 25 x 540 Aluminum Bar	2
④		25 x 25 x 540 Aluminum Bar with holes	2

No	Parts	Description	Qty
⑤		M4x10 screw	16
⑥		M4x14 screw	4
⑦		M4x20 screw	2
⑧		Cabinet body	1

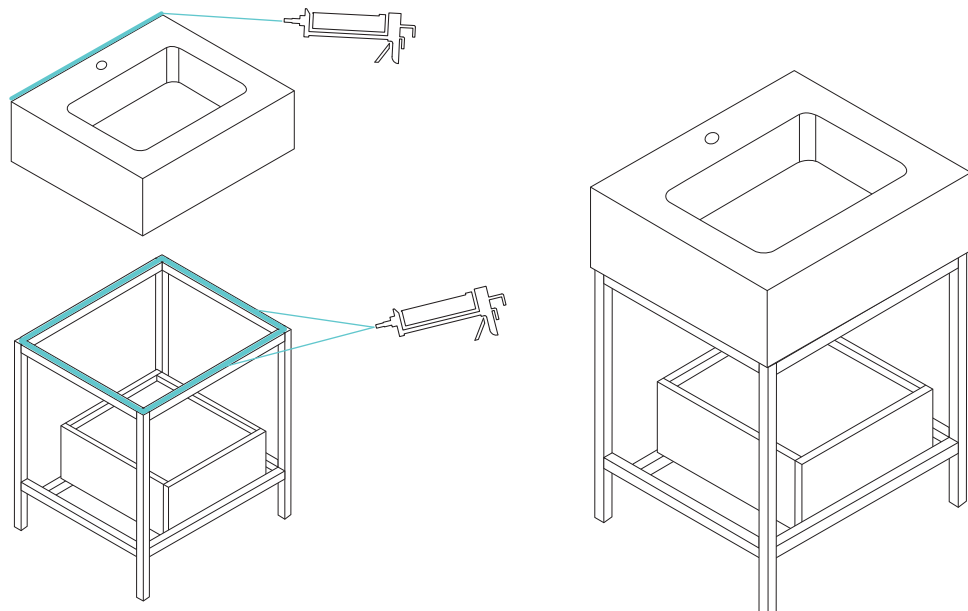
6 Assemble Aluminum Frame

- Connect the 25 x 25 x 640 aluminum bar (1) to the 25 x 25 x 465 aluminum bar (2) use 4 M4x10 screw. Repeat step for the other side.
- Connect the 25 x 25 x 540 aluminum bar (3/4) to the 25 x 25 x 640 aluminum bar (1). Note that the aluminum bar with hole (4) is installed at the bottom.
- Attach the cabinet body to the aluminum frame and secure using 4 M4x20 screw.



7 Vanity Top Installation

- Install faucet and drain according to manufacturer's installation instructions. Do not overtighten, this may cause the sink to crack.
- Set the vanity top on top of the vanity base, checking the location of the p-trap and drain.
- Remove vanity top from vanity base. Apply a thin bead of silicone around the vanity base and set the vanity top carefully in place.
- Remove excess silicone with a wet cloth.



Wait 24 hours
before use.



ONE-YEAR LIMITED WARRANTY

Swiss Madison® products are made with quality materials and excellent craftsmanship to provide our customers with beautiful, durable, long-lasting products. Should there be any defects in materials or craftsmanship under regular use that are discovered within the first year after delivery, Swiss Madison® will provide replacement parts at no charge, or at its discretion, replace any product or part of the product that is deemed defective, under normal installation, use, service or maintenance. This warranty applies only to the original purchaser. Proof of purchase must be submitted with any warranty claim.

Swiss Madison® recommends that all installations of Swiss Madison® products to be conducted by a licensed plumber or contractor. Swiss Madison® will not be held responsible for any damage or product failure due to improper installation, misuse, or failure to utilize a licensed plumber or contractor for installation. Swiss Madison® is not responsible for any installation or removal costs.

THIS ONE-YEAR LIMITED WARRANTY WILL BE VOIDED IF:

- The installation instructions were not followed by the installer
- The product has been moved from its initial place of installation
- The product has in any way been modified from its original condition
- The product has been subjected to improper maintenance, abuse, misuse, excessive use of chemicals, accidents, or other damages

Swiss Madison® makes no warranty that its products comply with any local building or plumbing codes. It is the consumer's responsibility and obligation to determine local code compliance prior to and during installation.

Swiss Madison® is not responsible for any special, incidental or consequential damages associated with the installation, replacement, return or use of the original purchaser's product. This includes, but is not limited to: freight costs, labor, travel time, lost profit, home damages and other contingent liabilities and costs (including, without limitation, costs associated with 'professionals' or 'experts', investigations, audits, analyses, attorneys and any other professional/hired services). Some states do not allow the exclusion or limitation of incidental or consequential damages, so the above limitation or exclusion may not apply to you.

The Swiss Madison® warranty is a comprehensive and explicit limit of liability. All other warranties are hereby disclaimed and waived.

QUESTIONS OR CONCERNS? Please contact us directly at: 1-434-MADISON (623-4766)



WARNING:

Contents of your order may contain sharp and possibly other harmful pieces and may cause hazard to children and adults. Swiss Madison® is not responsible in any way for personal injuries or damages.