

ELURA

COMMERCIAL

**GREEN LABEL SERIES
WEATHER-RESISTANT SURFACE
MOUNT SPEAKER
OWNER'S MANUAL &
INSTALLATION GUIDE**



**ELURA G8SURF70-BK
70V/8Ω SURFACE MOUNT SPEAKER**



CAUTION
RISK OF ELECTRIC SHOCK
DO NOT OPEN

ATTENTION
RISQUE DE CHOC ELECTRIQUE
NE PAS OUVRIR



WARNING:

To reduce the risk of fire or electric shock, do not expose this apparatus to rain or moisture.

AVIS:

Pour réduire le risque d'incendie ou de choc électrique, ne pas exposer cet appareil sous la pluie et l'humidité.

The apparatus shall not be exposed to dripping or splashing and that no objects filled with liquids, such as vases, shall be placed on apparatus.

L'appareil ne doit pas être exposé aux écoulements ou aux éclaboussures et aucun objet ne contenant de liquide, tel qu'un vase, ne doit être placé sur l'objet.



The lightning flash with arrowhead symbol, within an equilateral triangle, is intended to alert the user to the presence of uninsulated "dangerous voltage" within the product's enclosure that may be of sufficient magnitude to constitute a risk of electric shock to persons.

Le symbole de l'éclair fléché dans un triangle équilatéral, est destiné à alerter l'utilisateur de la présence d'une "tension dangereuse" dans le boîtier du produit qui peuvent être des ampleur suffisante pour constituer un risq e d'électrocution aux personnes.



This symbol is intended to alert the user to the presence of important operation and maintenance (servicing) instructions in the literature accompanying the appliance.

Ce symbole est destiné à alerter l'utilisateur de la présence d'opération et de maintenance (entretien) dans la documentation accompagnant l'appareil.

Important Safety Instructions

1. Read these Instructions.
Lisez ces instructions.
2. Keep these Instructions.
Conservez ces instructions.
3. Heed all Warnings.
Respectez tous les avertissements.
4. Follow all instructions.
Suivez toutes les instructions.
5. Do not use this apparatus near water.
Ne pas utiliser cet appareil près de l'eau.
6. Clean only with a dry cloth.
Nettoyer uniquement avec un chiffon sec.
7. Do not block any ventilation openings. Install in accordance with the manufacturer's instructions.
Ne pas bloquer les ouvertures de ventilation. Installer conformément aux instructions du fabricant.
8. Do not install near any heat sources such as radiators, heat registers, stoves, or other apparatus (including amplifiers) that produce heat.
Ne pas installer près de sources de chaleur telles que radiateurs, registres de chaleur, poêles ou autres appareils (y compris les amplificateurs) produisant de la chaleur.
9. Do not defeat the safety purpose of the polarized or grounding - type plug. polarized plug has two blades with one

wider than the other. When the provided plug does not fit into your outlet, consult an electrician for replacement of the obsolete outlet.

Ne détruisez pas la sécurité de la terre ou polarisées - fiche. Une fich polarisée possède deux lames dont une est plus large que l'autre. Si la fiche fournie ne rentre pas dans votre prise, consultez un électricien pour remplacer la prise obsolète.

10. Protect the power cord from being walked on or pinched particularly at plugs, convenience receptacles, and the point where they exit from the apparatus.

Protégez le cordon d'alimentation d'être piétiné ou pincé, particulièrement au niveau des fiches, des prises, et le point où ils sortent de l'appareil.

11. Only use attachments/accessories specified by the manufacture .
N'utilisez que des accessoires spécifiés par le fabricant.

12. Use only with a cart, stand, tripod, bracket, or table specified by the manufacturer, or sold with the apparatus. When a cart or rack is used, use caution when moving the cart/apparatus, combination to avoid injury from tip-over.



Utilisez uniquement un chariot, stand, trépied, support ou table spécifiés par le fabricant ou vendu avec l'appareil. Quand un panier ou rack est utilisé, faites attention lorsque vous déplacez l'ensemble chariot / appareil, pour éviter d'éventuelles blessures en cas de chute.

13. Unplug this apparatus during lightning storms or when unused for long periods of time.

Débranchez cet appareil pendant les orages ou lorsqu'il n'est pas utilisé pendant de longues périodes de temps.

14. Refer all servicing to qualified service personnel. Servicing is required when the apparatus has been damaged in any way, such as power-supply cord or plug is damaged, liquid has been spilled or objects have fallen into the apparatus, the apparatus has been exposed to rain or moisture, does not operate normally, or has been dropped.

Confiez toute réparation à un personnel qualifié. Une réparation est nécessaire lorsque l'appareil a été endommagé de quelque façon que ce cordon d'alimentation ou la fiche est endommagé, liquide a été renversé ou des objets sont tombés dans l'appareil, l'appareil a été exposé à la pluie ou à l'humidité, ne fonctionne pas normalement, ou s'il est tombé.

15. **WARNING:** The mains plug (appliance coupler) is used as disconnect device, the disconnect device shall remain readily operable.

AVERTISSEMENT: La fiche d'alimentation (appareil coupleur) est utilisé comme dispositif de déconnexion, le dispositif de déconnexion doit rester facilement accessible.

16. No naked flame sources, such as lighted candles, should be placed on the apparatus.

Aucune source de flamme nue, telle que des bougies allumées, ne doit être placé sur l'appareil

17. Protective earthing terminal. The apparatus should be connected to a mains socket outlet with a protective earthing connection.



Borne de terre de protection. L'appareil doit être connecté à une prise secteur avec une prise de terre.

Overview

The Elura G8SURF70-BK weather-resistant outdoor speaker is best suited for a wide variety of outdoor applications such as restaurants, decks, amusement parks, sports facilities, retail, concourses, transportation terminals, etc. This speaker is designed to work with 8 ohm or 70/100 volt amplifiers with a wide variety of transformer settings for the desired sound level requirement.

Unpacking

Carefully remove your new Elura speaker from the box. Inspect the speaker for transit damage. If you discover damage, contact your dealer immediately. Save your carton - it is the best possible protection for your speaker should you ever have a need to move it.

Positioning and Mounting

Note: the distance between yourself and the point directly between the speakers should be (roughly 20%) greater than the distance between the two speakers. Outside placement may be different, due to variances in available mounting areas.

All Elura weather-resistant speakers are equipped with powder-coated aluminum mounting brackets that allow for vertical or horizontal mounting. Be certain the type of anchor you choose, and the material you are mounting the anchor into, are capable of holding the weight of the speaker. (Many mounting anchor systems are available from your local hardware store). After mounting the bracket, connect the wire as shown in the illustration below, and loosely secure the speaker to the bracket using the supplied knobs. Adjust the speaker's angle for optimum listening area coverage and firmly hand-tighten the knobs.

Hooking Up Your Speakers

STOP! – Make sure that you consult your amplifier's owner's manual regarding speaker hook-up. Your amplifier should be turned off throughout this procedure.

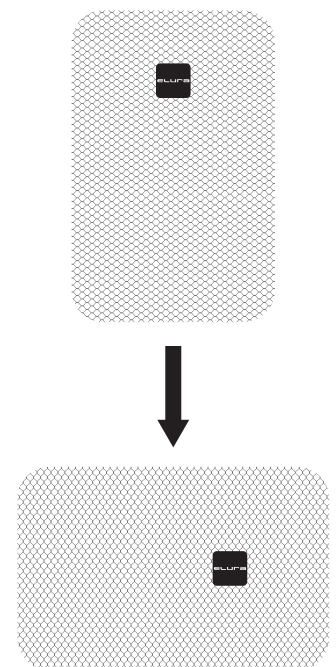
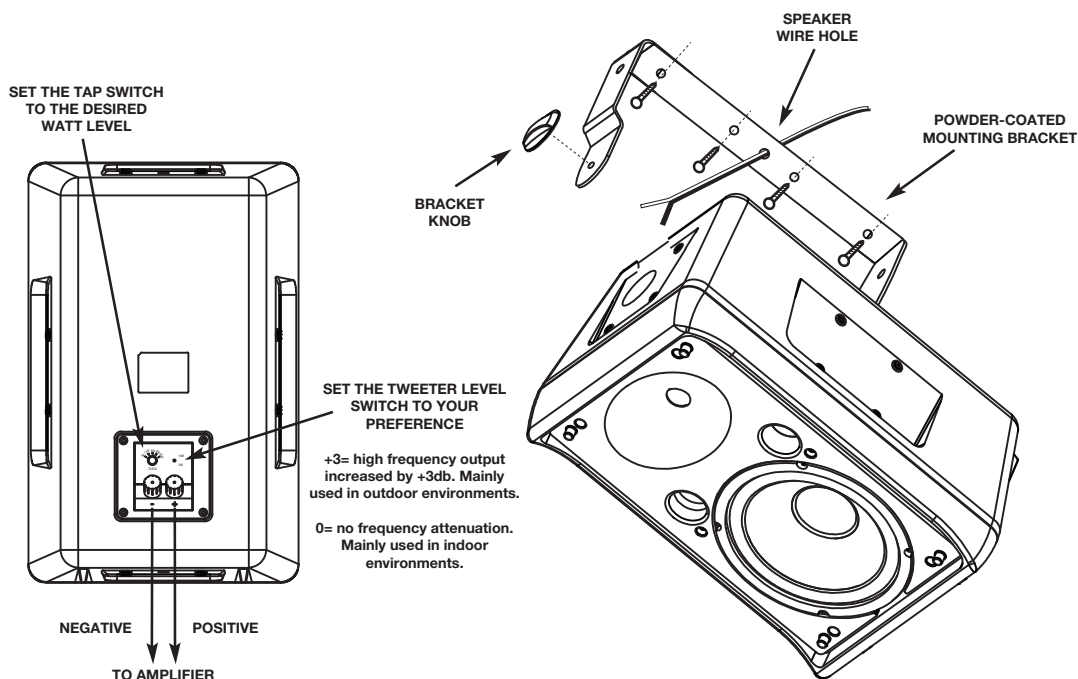
Most speaker wire is polarity coded. This means that each conductor is labeled either (+) positive or (-) negative. The (+) positive side may be a different color or texture than the (-) negative

side. On the back of your amplifier, each channel should be labeled (+) and (-) as well as color coded red for (+) positive and black for (-) negative. Elura speaker terminals are color coded red for (+) positive and black for (-) negative. Be sure to hook (+) to (+), (red to red), and (-) to (-), (black to black). (See illustration below). All connections should be tight. Inspect connections for frays and stray strands of wire touching both (+) and (-) terminals.

If you are connecting your Elura speakers to a conventional low-impedance amplifier, set the tap setting to 8Ω. If you are connecting the speakers to a 70 or 100 Volt amplifier, set the tap setting to the desired watt level, and avoid overloading the amplifier with too many speakers tapped at more than the amplifier's power rating. (This will cause a short and, perhaps, damage your equipment). Set the tweeter switch inside the input cup to the desired high-frequency output (0 or +3dB).

Logo Badge

When mounting the G8SURF70-BK horizontally, you can lift the spring-loaded logo badge and rotate it to the desired orientation.



Specifications

	G8SURF70-BK
Description of the product	8" 2-way, Surface Mount Speaker
Cabinet/Enclosure material	Plastic Injection
Tweeter size	1"
Tweeter material	PEI
Tweeter magnet material	FERRITE
Tweeter Ferro-Fluid	Yes
Woofers size	8inch
Woofers cone material	Fiberglass
Woofers surround material	Rubber
Woofers voice-coil size	38.5mm
Woofers magnet weight	565.4g
Frequency response	45Hz-20KHz
Crossover frequency	2.7KHz
Speaker dispersion angle (-6dB)	120° horiz. x 120° vert. (500Hz – 5kHz average)
Recommended amplifier power	50-350 watts max
Sensitivity level (efficiency, 2.83V@1M)	89dB
Input terminals	Dual Binding Posts
Transformer taps & thru setting	7.5/15/30/60W 70V taps & 8Ω bypass
Grille	Push-On, Steel Grille with Electro Corrosion Preventative Paint
Mounting bracket style	On Wall
Dimensions	10.63" x 9.41" x 16.54"
Net Weight	18.3 lb (8.3 kg)
Gross Weight	23.8 lb (10.8 kg)

Caring for Your Speakers

In outdoor applications, we recommend angling the speakers downward to reduce exposure to precipitation and hot sun. If added protection is desired, mount speakers under eaves or other shelter. DO NOT immerse the speakers in water or subject them to direct water pressure. During winter months, we recommend storing the speakers indoors if you are not using them.

TO CLEAN: All Elura weather-resistant enclosures can be cleaned with a damp soft cloth and a mild detergent. The aluminum grille can also be cleaned with the same cloth.

Troubleshooting and Service

If you should have a problem, first try to determine if it is indeed a speaker problem. Determine whether the problem exists in both speakers. If it does, the problem most likely originates in some other components in the system. If the problem is in one speaker only, reverse your speaker leads (left to right, right to left). If the problem moves to the other speaker, your problem is not in the speakers.

If you have tried all the above and still can't get the Elura speaker to operate properly, consult your dealer or contact MSTR Brand.

Product Warranty

The seller warrants the G8SURF70-BK free from defects in the material and workmanship for 5 years from the date of purchase from the seller or authorized dealer. Should this product fail to be in good working order within the warranty period, the seller, at its option repair or replace the unit, provided that the unit has not been subjected to accident, disaster, abuse, or any unauthorized modification. This warranty is offered by the seller for its buyer with direct transaction only. This warranty does not apply to products that have been abused, incorrectly installed, modified, disassembled and/or repaired by anyone other than Elura or our appointed repair facility.

A unit that fails under conditions other than those covered will be repaired at the current price of parts and labor in effect at the time of repair. Such repairs are warranted for 90 days from the day of reshipment to the buyer. If the unit is delivered by mail, customers agree to insure the unit or assume the risk of loss or damage in transit. Under no circumstances will a unit be accepted without a return authorization number. The warranty is in lieu of all other warranties expressed or implied, including without limitations, any other implied warranty, all of which are expressly disclaimed. Proof of sale may be required in order to claim warranty. The content of this manual has been carefully checked and is believed to be accurate. However, the seller assumes no responsibility for any inaccuracies that may be contained in this manual. Also, the technical information contained herein regarding the G8SURF70-BK features and specifications are subject to change without further notice.

www.elura.com

MSTR