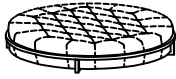


ASSEMBLY INSTRUCTION

ROUND COCKTAIL OTTOMAN

A Cushion



1 PC

B Bottom Frame



1 PC

C Support Rod



4 PCS

D Short Bolt

1/4"*5/8"



8 PCS

E Bolt

1/4"*1-1/4"



4 PCS

F Flat Washer

1/4"



4 PCS

G Allen Key

M4



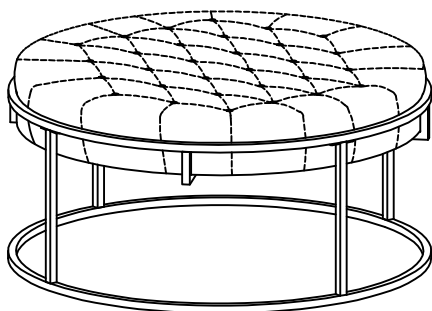
1 PC

H Hardware Support

1/4"

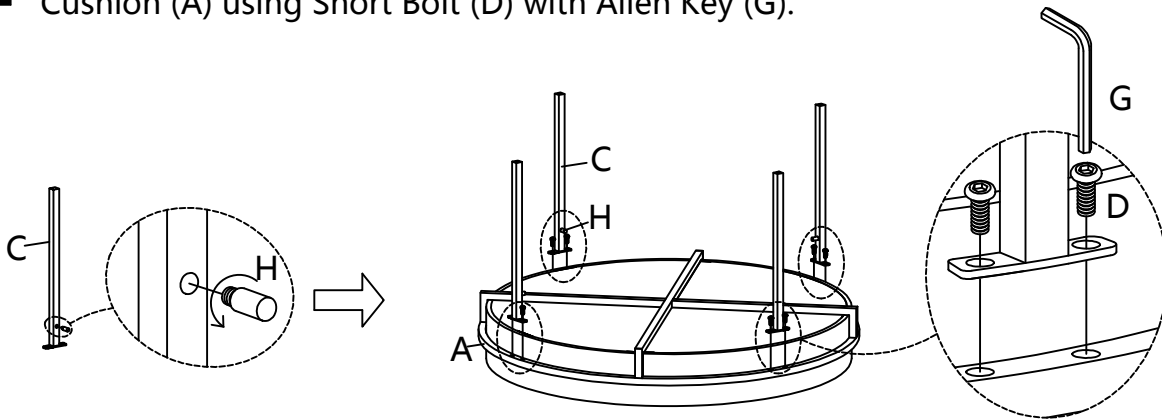


4 PCS

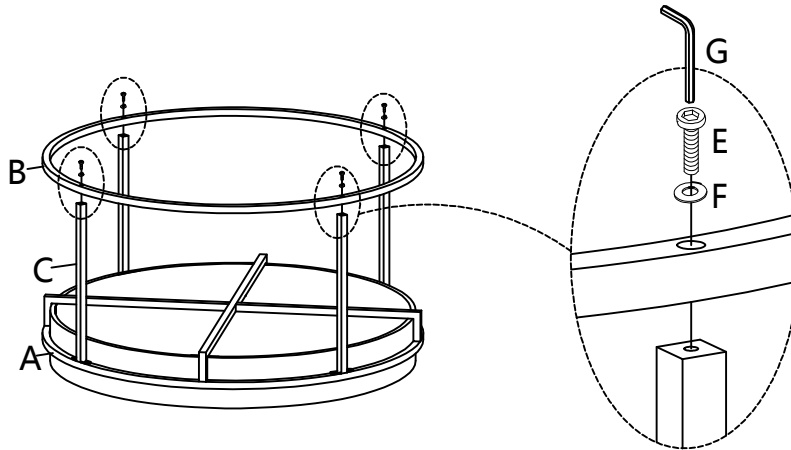


This page lists all the contents included in the box. Please take the time to identify the hardware as well as the individual components to this product. As you unpack and prepare for assembly, place the contents on a carpeted or padded area to protect them from damage.

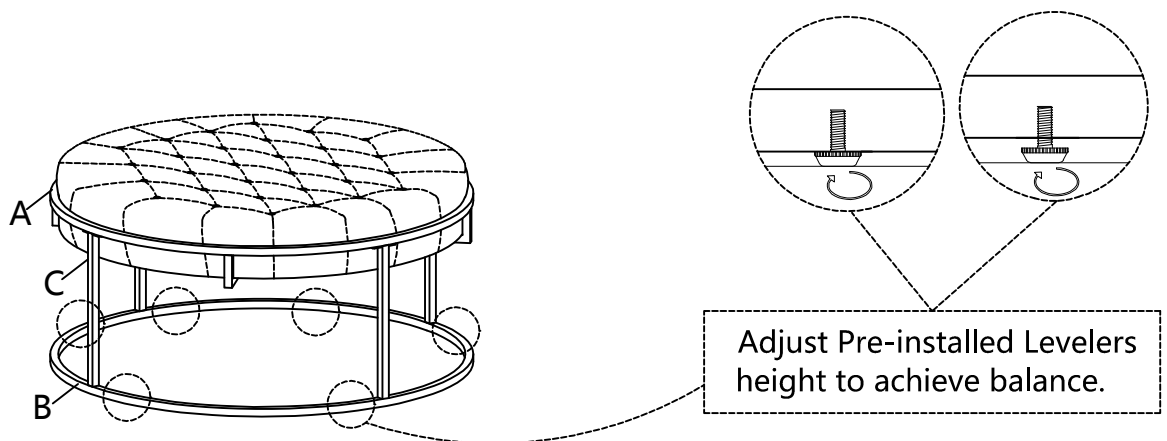
- 1** Attach Hardware Support (H) to Support Rod (C), then attach Support Rod (C) to Cushion (A) using Short Bolt (D) with Allen Key (G).



- 2** Attach Bottom Frame (B) to Support Rod (C) using Bolt (E), Flat Washer (F) with Allen Key (G).



- 3** Adjust the Pre-installed Levelers at the Bottom Frame (B) until the Ottoman is level with the ground.



Cleaning & Care

Treat surface with care. Surface is resistant to scratches but is not scratch resistant. Clean surfaces with a dry or damp soft cloth. Do not use abrasive cleaners. Hardware may loosen over time. Periodically check that all connections are tight.