

**CAUTION:** Read instructions carefully and turn electricity off at main circuit breaker panel before beginning installation.

## 350120

\*\*\*\*\*

**WARNING -** If any Special Control Devices are used with this Fixture, Follow the Instructions Carefully to assure full compliance with N.E.C. requirements. If there are any questions, contact a Qualified Electrical Contractor.


**CAUTION -** All glass is fragile, use care when handling Glass component(s) and or Lamp(s).

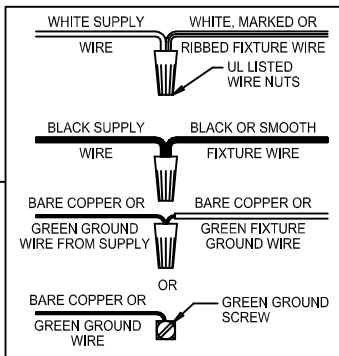
\*\*\*\*\*

**ASSEMBLY STEPS:**

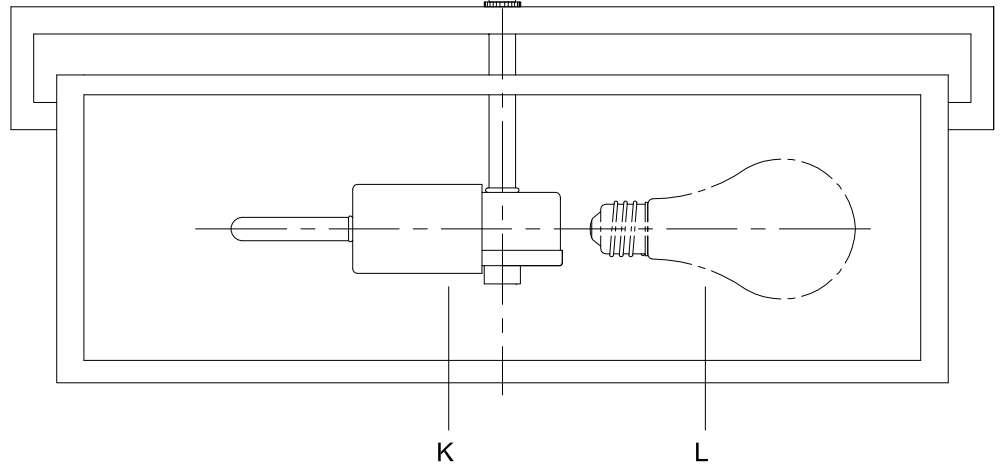
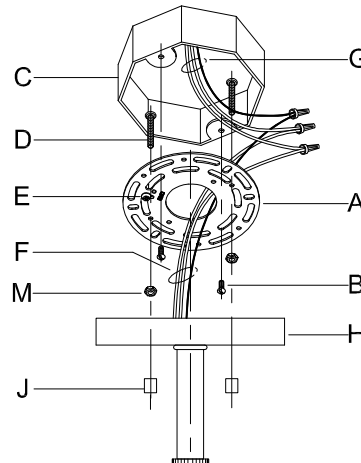
**PASOS PARA ENSAMBLAR:**

**MODE D'ASSEMBLAGE:**

- 1. D,E → A
- 2. M → D
- 3. B,A → C
- 4. F → G 
- 5. H,J → D
- 6. L → K



**B, C, G & L  
(NOT FURNISHED)  
(NON FOURNIE)  
(NO INCLUIDA)**



**CAUTION:** Read instructions carefully and turn electricity off at main circuit breaker panel before beginning installation.

## 350120

\*\*\*\*\*

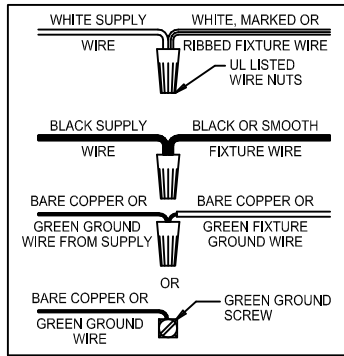
**WARNING -** If any Special Control Devices are used with this Fixture, Follow the Instructions Carefully to assure full compliance with N.E.C. requirements. If there are any questions, contact a Qualified Electrical Contractor.

**CAUTION -** All glass is fragile, use care when handling Glass component(s) and or Lamp(s).

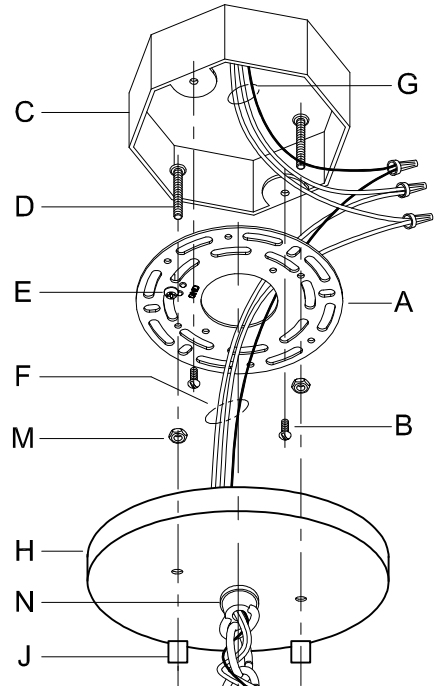
\*\*\*\*\*

### CANOPY MOUNTING & WIRE CONNECTION ASSEMBLY STEPS:

Attach (R), (S) to achieve overall desired length.  
 Joignez (R), (S) pour obtenir la longueur voulue.  
 Una (R), (S) para lograr la longitud deseada.



1. D,E → A
2. B,A → C
3. M → D
4. F → T,R,S,Q
5. R → T
6. Q → R
7. P → Q,N
8. F → P,N,H
9. F → G
10. H,J → D



### FIXTURE ASSEMBLY STEPS:

1. T → U
2. L → K

B, C, G & L  
 (NOT FURNISHED)  
 (NO INCLUIDA)  
 (NON FOURNIE)

