

HPW CATALOG NO.				CONDUCTOR		BOLT SIZE	FIG. NO.	DIMENSIONS								INSTALLATION TOOLING (# CRIMPS)									
CAT NO.	QTY	CAT NO.	QTY	CODE (AWG)	NAVY			B	C	E	H	K DIA.	L	N	O.D.	T REF.	Y MIN.	DIE INDEX	COLOR CODE	MECHANICAL RATCHET		HYDRAULIC		DIELESS (# CRIMPS)	WIRE STRIP LENGTH
						$\pm .03$	$+ .04$ $- .02$	$\pm .02$	REF.	$\pm .02$	$\pm .06$	$\pm .04$	$\pm .01$					HMRC840	HOUR840	HPAT600	HY750, HPAT750				
HGBL06D	50	HGBL06D1	1	#6 AWG	30	1/4 [M6]	1	----		2.65 [67]	.27 [7]	.31 [8]	.29 [7]	.08 [2]	.96 [24]	7 OR 374	BLUE	7 (2)	HX5CRT (2)	HW5CVT (2)	HU5CRT (2) HU5CRTW (1)	HMY2911 (1)	1-3/16		
HGBL06D45	50	HGBL06DF1	1				2	1.12 [28]	.45 [11]	.62 [16]														1.19 [30]	2.45 [62]
HGBL06D90	50	HGBL06DN1	1				3	1.50 [38]																1.50 [38]	

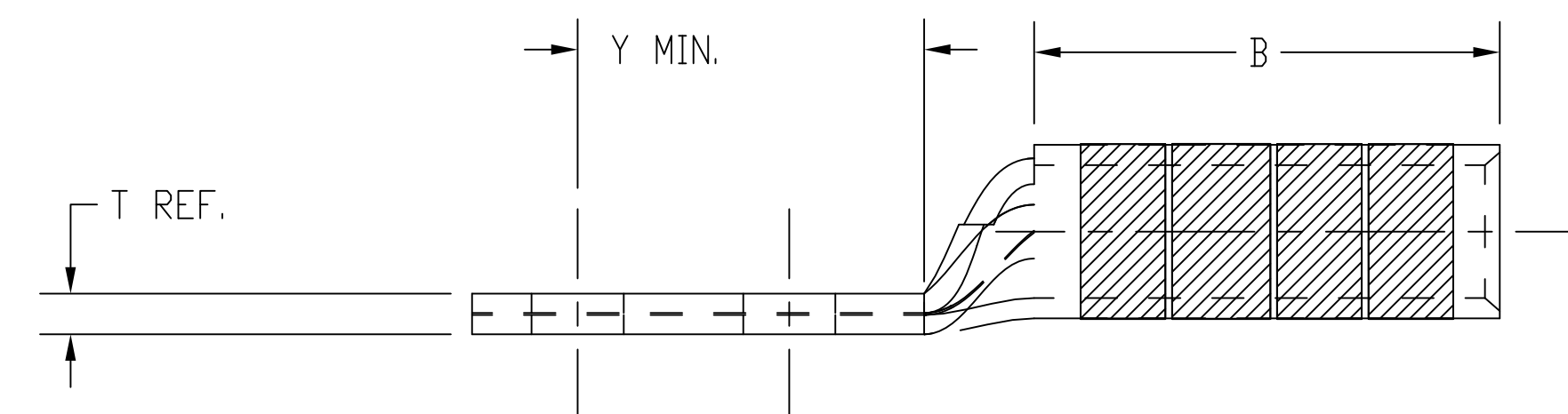
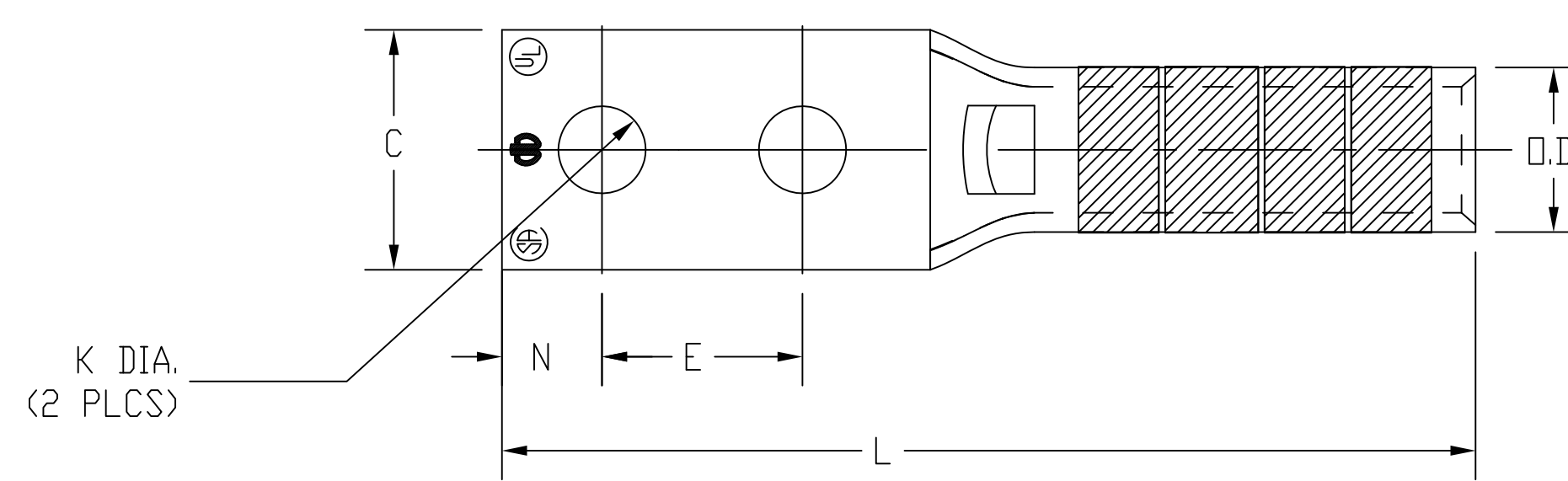


FIG 1

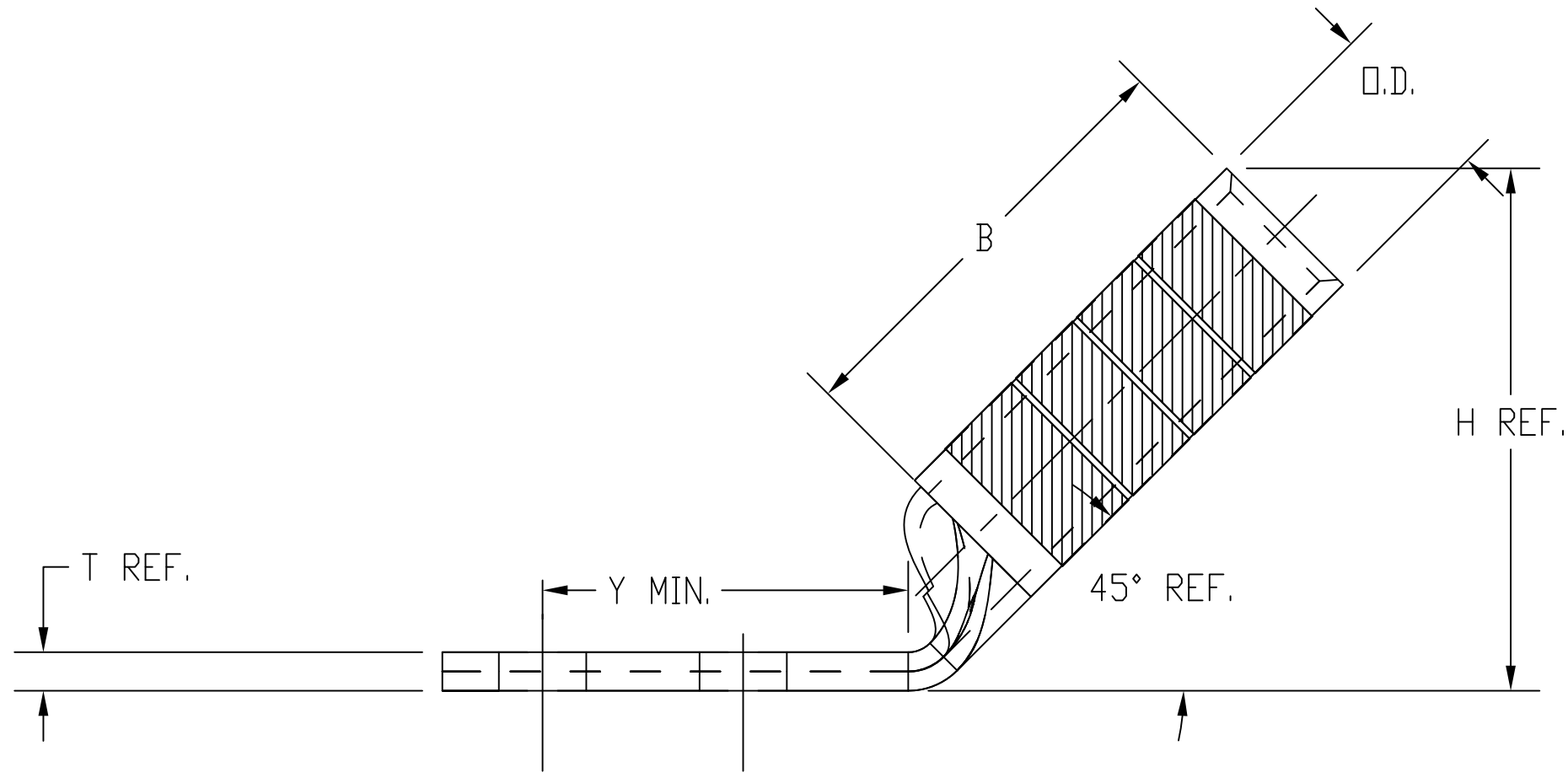
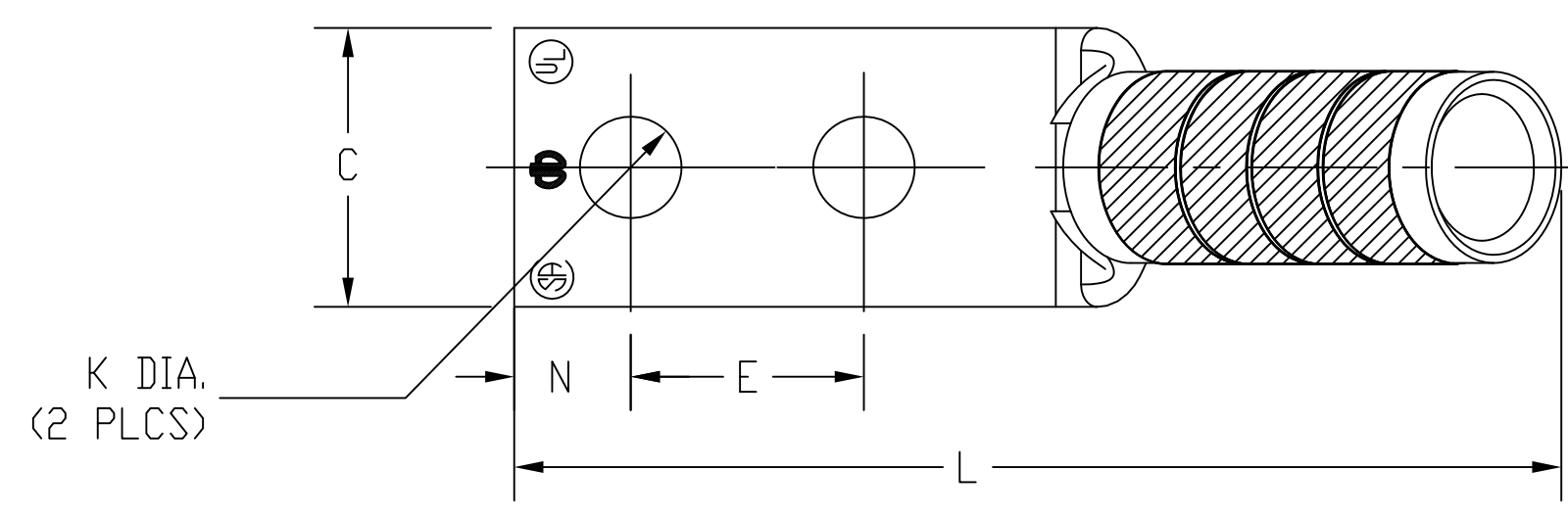


FIG 2

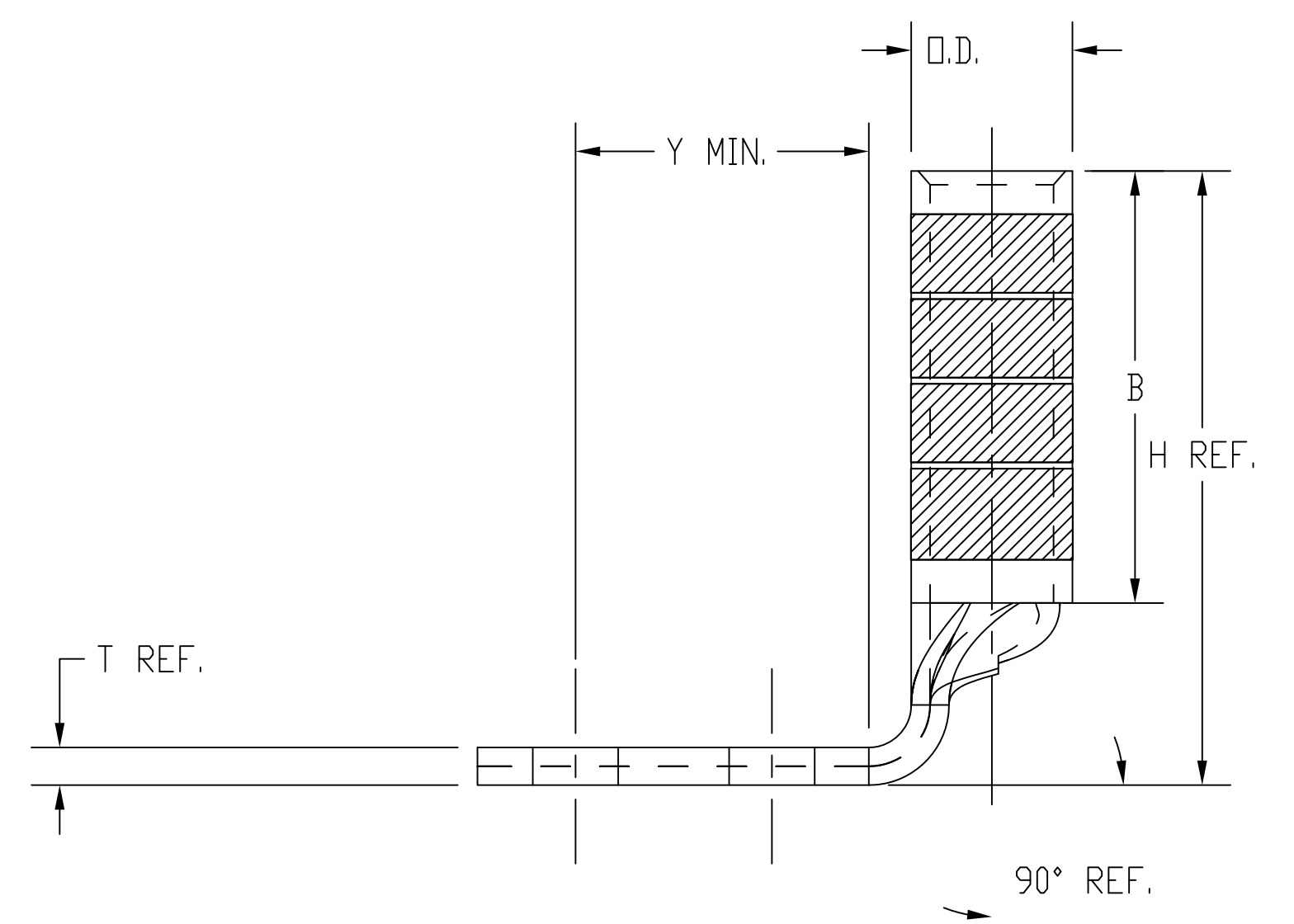
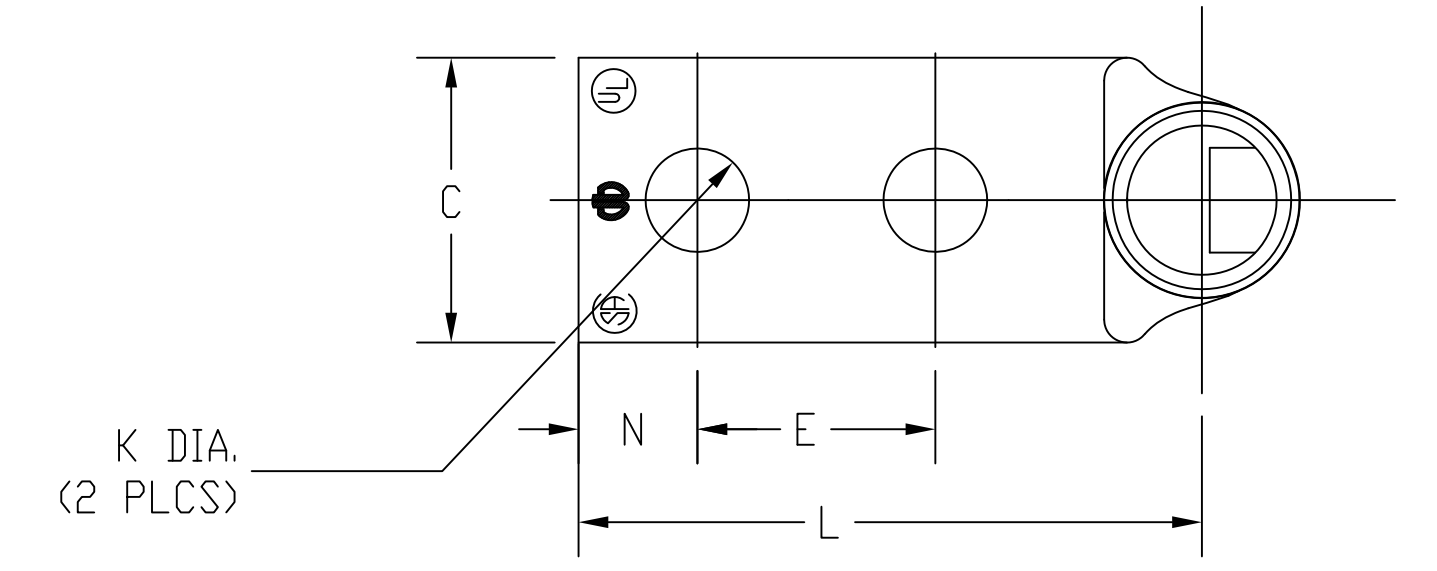


FIG 3

NOTES:  
 1. NAVY CABLE SIZE MAY BE OMITTED ON SOME SIZES BECAUSE OF SPACE LIMITATIONS.  
 2. SPECIFICATIONS SUBJECT TO CHANGE WITHOUT NOTICE.

REV.	ECN	DATE	DESCRIPTION	CHG BY	APPD BY
2	22436	2/28/17	ADDED HGBL06D1, HGBL06DF1, HGBL06DN1	AK	MMA

Created on AUTOCAD	DIMENSIONING AND TOLERANCE PER ANSI Y14.5M-1982 UNLESS OTHERWISE SPECIFIED, DIMENSIONS ARE IN INCHES (MM). TOLERANCES: .XX = ±.01 (.25) .XXX = ±.005 (.127) .XXXX = ±.0025 (.0635) ANGLE TOL ±1°		PROJECT REFERENCE: 2011-041	<b>Hubbell Premise Wiring</b> HUBBELL INCORPORATED (Delaware) 14 Lord's Hill Road, Stonington, Connecticut 06378 TITLE #6 AWG COPPER COMPRESSION LUG, LONG BARRELL DOUBLE HOLE
	IN ACCEPTING OUR DRAWINGS, BLUEPRINTS, OR SUPPORTING DOCUMENTATION FOR QUOTATION OR OTHER PURPOSES, YOU AGREE NOT TO DISCLOSE TO OTHERS THE IDEAS, INFORMATION, OR DESIGNS SHOWN HEREIN, AND THAT YOU WILL MAKE NO USE OF SAME WITHOUT PERMISSION		MATERIAL: TIN PLATED COPPER	
			DRAWN BY: C. GRIBBLE 4/18/12	
			CHECKED BY:	
		APPROVED BY:	SIZE: D	DRAWING NO.: HWS777055C
			SCALE: 1/1	SHEET 1 OF 1