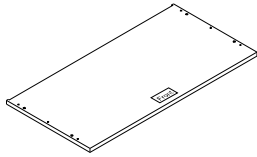
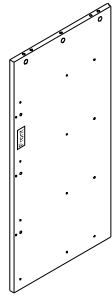


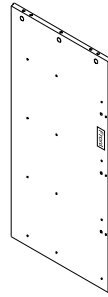
PARTS LIST



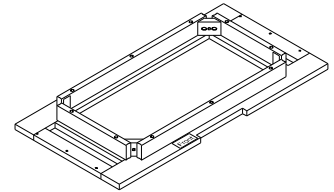
NAME: TOP PANEL
CODE: 1
QTY: 1Pc



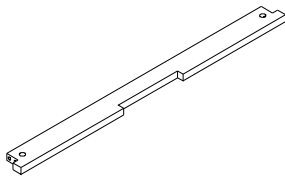
NAME: SIDE PANEL(LEFT)
CODE: 2
QTY: 1Pc



NAME: SIDE PANEL(RIGHT)
CODE: 3
QTY: 1Pc



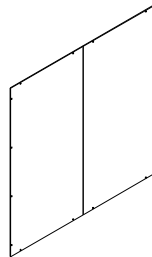
NAME: BOTTOM FRAME
CODE: 4
QTY: 1Pc



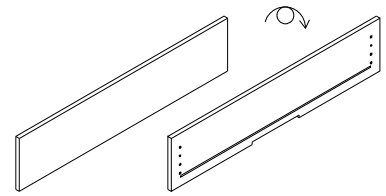
NAME: CENTER BAR
CODE: 5
QTY: 3Pcs



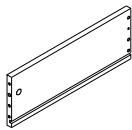
NAME: LEG
CODE: 6
QTY: 4Pcs



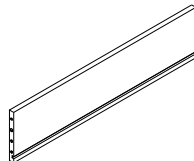
NAME: BACK PLY
CODE: 7
QTY: 1Pc



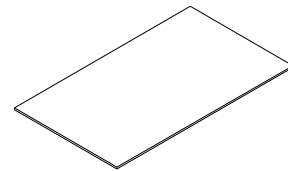
NAME: TOP&BOTTOM DRAWER FRONT
CODE: 101
QTY: 3Pcs



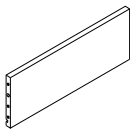
NAME: DRAWER SIDE(LEFT)
CODE: 102
QTY: 4Pcs



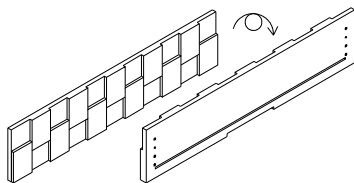
NAME: DRAWER BACK
CODE: 103
QTY: 4Pcs



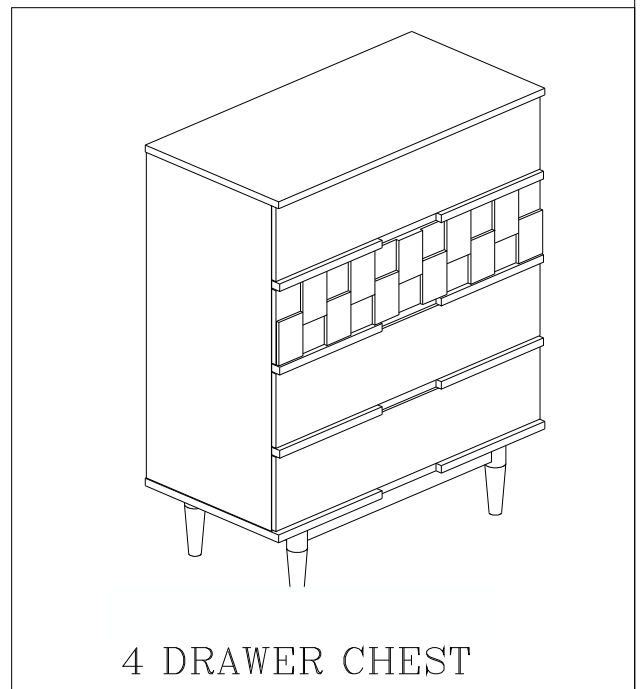
NAME: DRAWER BASE
CODE: 104
QTY: 4Pcs



NAME: DRAWER SIDE(RIGHT)
CODE: 105
QTY: 4Pcs



NAME: CENTER DRAWER FRONT
CODE: 106
QTY: 1Pc



4 DRAWER CHEST

-THE UNIT SHOULD BE ASSEMBLED BY 2 OR MORE PEOPLE
-EXTRA HARDWARE INCLUDED

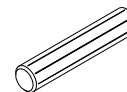
HARDWARE LIST



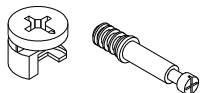
NAME: CHIPBOARD SCREW M3X16mm
 CODE: A
 QTY: 48Pcs



NAME: CHIPBOARD SCREW M4X38mm
 CODE: B
 QTY: 6Pcs



NAME: WOOD DOWEL M8X35mm
 CODE: C
 QTY: 14Pcs



NAME: CAM LOCK & CAM BOLT
 CODE: D
 QTY: 28Sets



NAME: WOOD DOWEL M6X30mm
 CODE: E
 QTY: 48Pcs



NAME: RUNNER 400mm
 CODE: F
 QTY: 4Sets



NAME: CAM LOCK COVER
 CODE: G
 QTY: 28Pcs



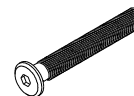
NAME: PANHEAD CHIPBOARD SCREW M4X16mm(BLACK)
 CODE: H
 QTY: 16Pcs



NAME: FLAT WASHER M6
 CODE: I
 QTY: 4Pcs



NAME: SPRING WASHER M6
 CODE: J
 QTY: 4Pcs



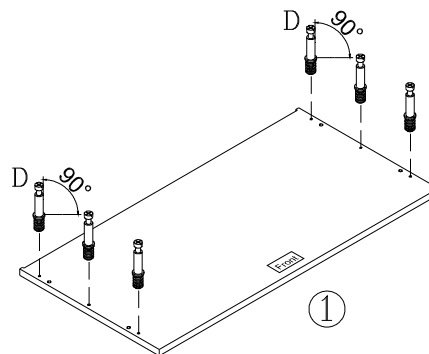
NAME: JCBC M6x45mm
 CODE: K
 QTY: 4Pcs



NAME: ALLEN KEY M4
 CODE: L
 QTY: 1Pc

STEP 1

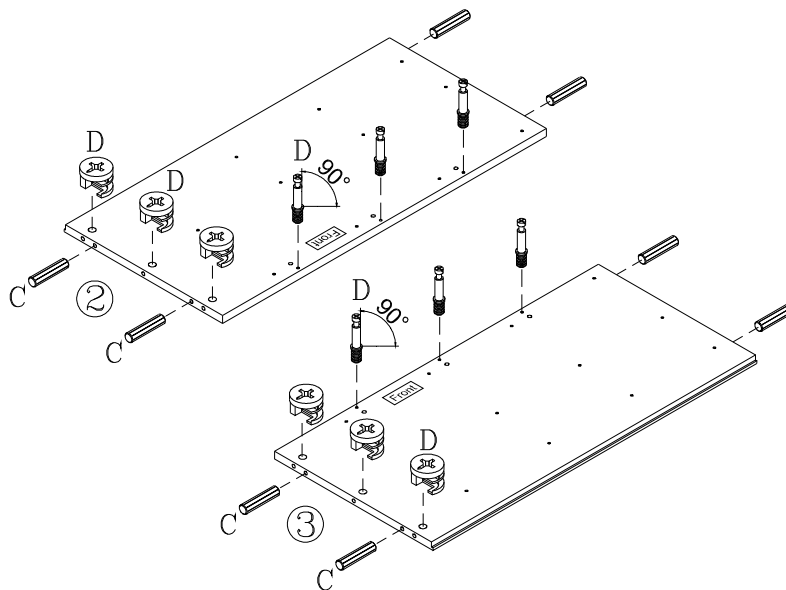
- A) Insert and secure Cam Bolt(D) to Top Panel(1)



STEP 2

- A) Insert Wood Dowel(C) to Left&Right Side Panel(2&3)
- B) Attach Cam Lock(D) to Left&Right Side Panel(2&3)
- C) Attach Cam Bolt(D) to Left&Right Side Panel(2&3)

NOTE : Make sure arrows on each Cam Lock point towards nearest edge with holes



STEP 3

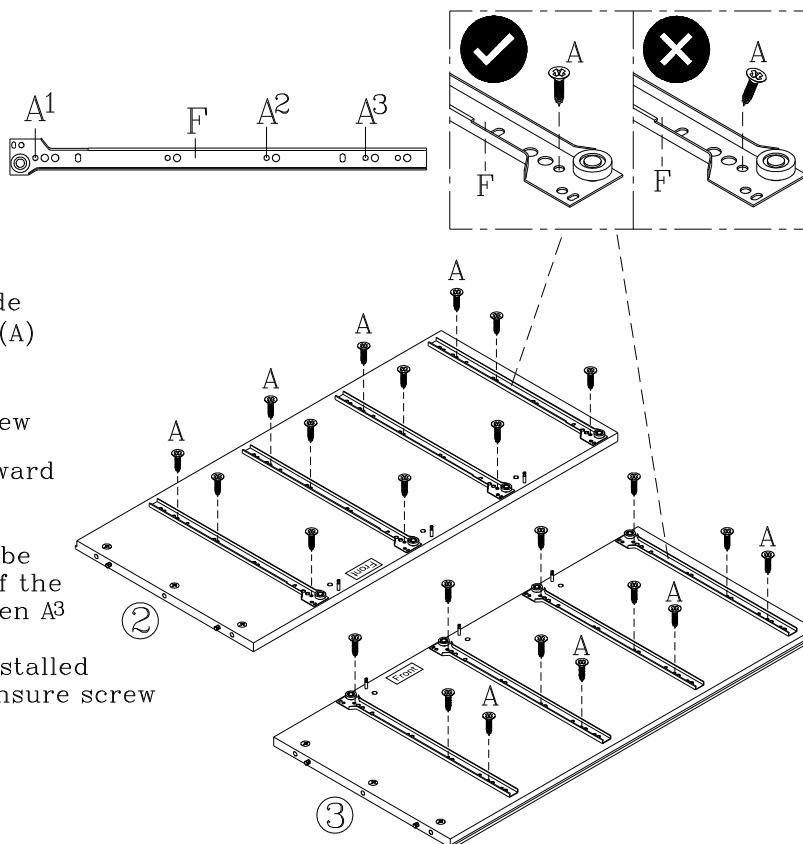
- A) Attach Runner(F) to Left&Right Side Panel(2&3) using Chipboard Screw(A) to secure

NOTE : Do not over tighten the screw

NOTE : Runner roller should be toward the front of the panel

NOTE : Chipboard Screw(A) should be assembled from the front of the runner. Start from A¹, A² then A³

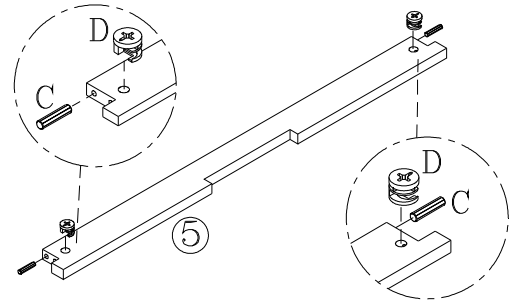
NOTE : Make sure the screws are installed vertically without slant to ensure screw sits properly in the hole



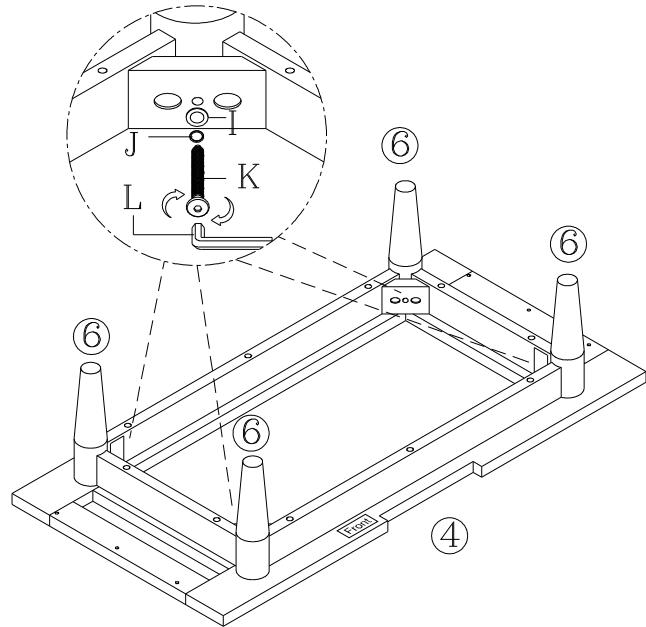
STEP 4

- A) Attach Wood Dowel(C) to three of Center Bar(5)
- B) Attach Cam Lock(D) to three of Center Bar(5)

NOTE : Make sure arrows on each Cam Lock point towards nearest edge with holes

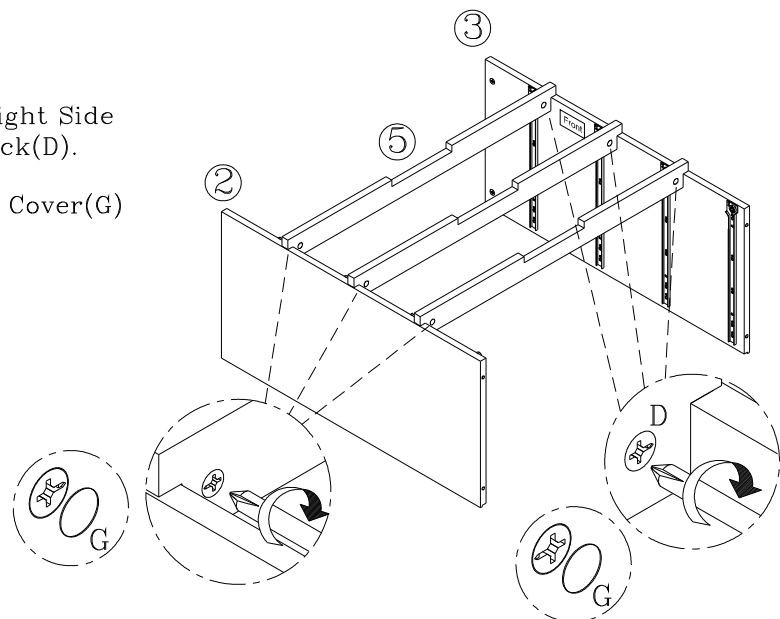
STEP 5

- A) Attach Leg(6) to Bottom Frame(4) and secure with JCBC Screw(K), Spring Washer(J) & Flat Washer(I) tighten with Allen Key(L) clockwise

STEP 6

- A) Attach Center Bar(5) to Left&Right Side Panel(2&3) secure with Cam Lock(D).
- B) Cover Cam Lock with Cam Lock Cover(G)

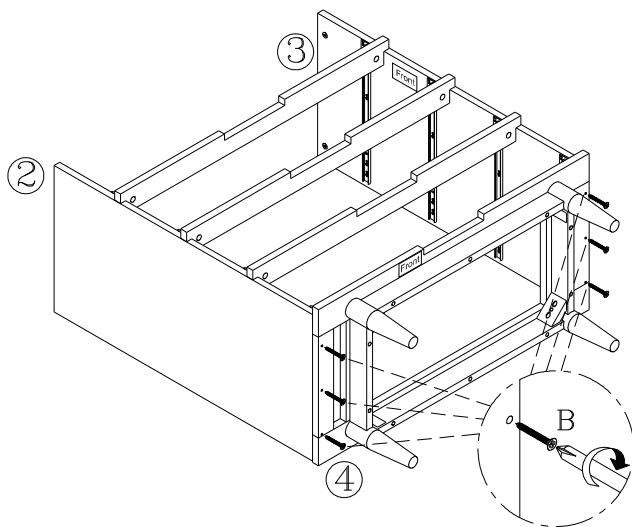
NOTE: Do not over tighten the Cam Lock



STEP 7

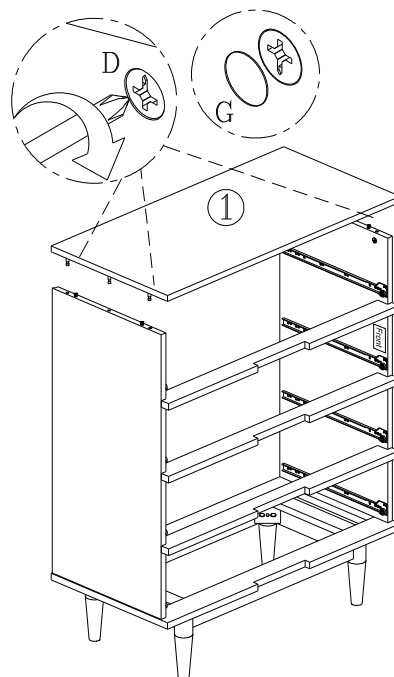
- A) Attach Bottom Frame(4) to underneath of Side Panel Left&Right(2&3) and secure with Chipboard Screw(B)

NOTE: Do not over tighten the Screw

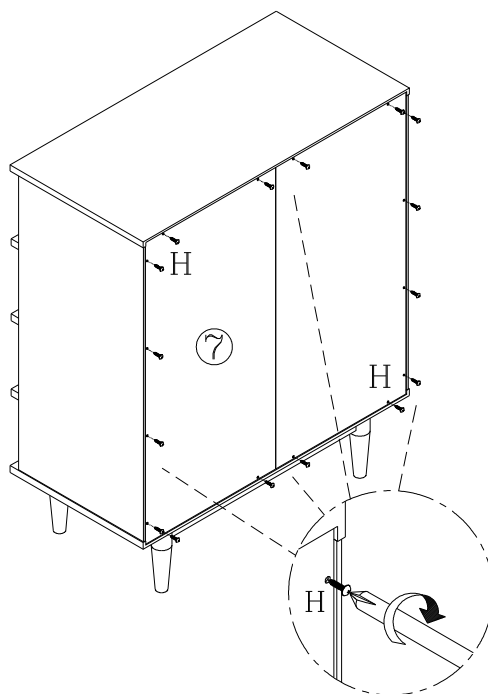
STEP 8

- A) Attach Top Panel(1) to Left&Right Side Panel(2&3) secure with Cam Lock(D).
- B) Cover Cam Lock with Cam Lock Cover(G)

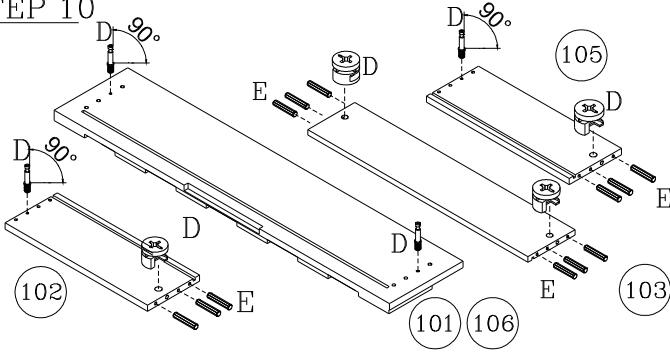
NOTE : Do not over tighten the Cam Lock

STEP 9

- A) Attach Back Plywood(7) to assembled unit using Panhead Chipboard Screw(Black)(H) to secure

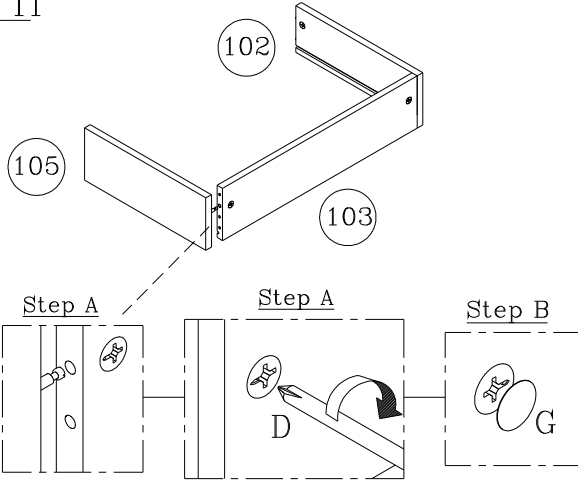


STEP 10



- A) Insert Wood Dowel(E) to Left&Right Drawer Side(102&105) & Drawer Back(103)
- B) Attach Cam Lock(D) to Left&Right Drawer Side(102&105) & Drawer Back(103)
- C) Attach Cam Bolt(D) to Drawer Front(101&106) & Left&Right Drawer Side(102&105)

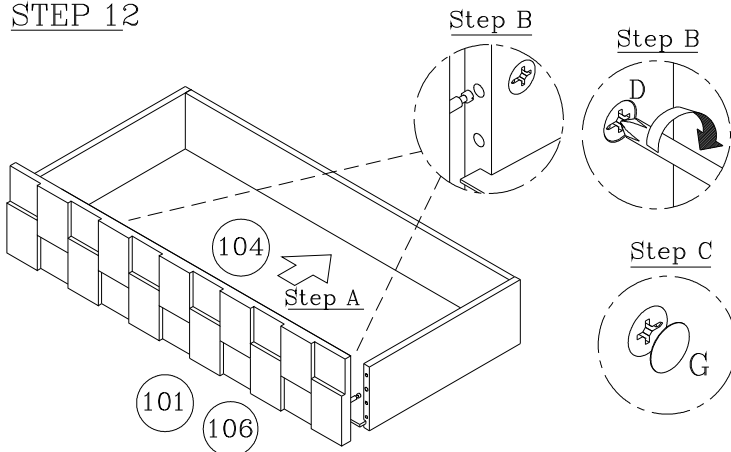
STEP 11



- A) Attach Left&Right Drawer Side(102&105) to Drawer Back(103) secure with Cam Lock(D)
- B) Using Cam Lock Cover(G) to cover Cam Lock(D)

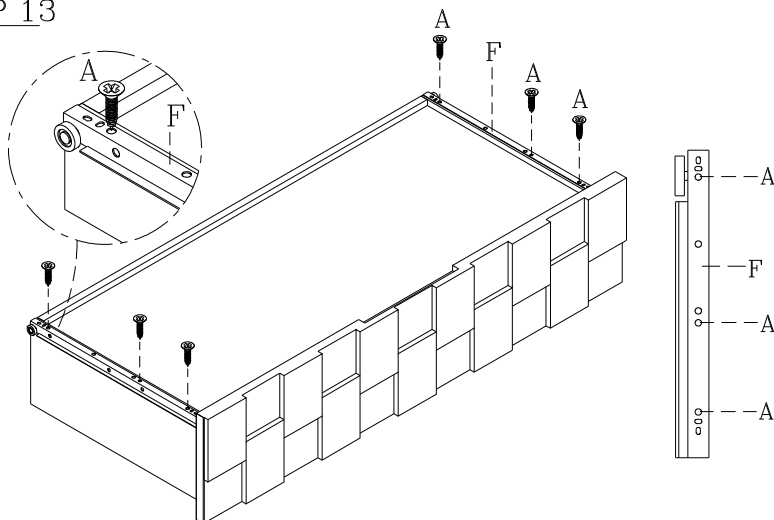
NOTE : Make sure arrows on each Cam Lock point towards nearest edge with holes

STEP 12



- A) Slot in Drawer Base(104) in corresponding grooves
- B) Attach Drawer Front(101&106) to Drawer Box secure with Cam Lock(D)
- C) Using Cam Lock Cover(G) to Cover Cam Lock(D)

STEP 13



- A) Turn over the Drawer box, Attach Runner(F) to Drawer Side(102&105) using Chipboard Screw(A) to secure

NOTE: Runner roller should be flush and toward the back of the Drawer Box