

# Installation and Care Guide

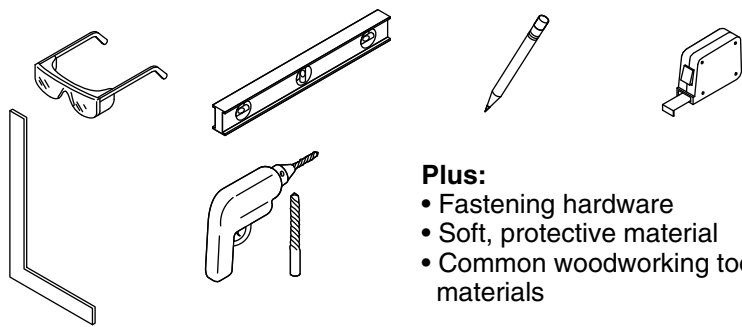
## Console Table Legs

Français, page "Français-1"  
Español, página "Español-1"

THE BOLD LOOK  
OF **KOHLER**®

1312546-2-B

## Tools and Materials



**Plus:**

- Fastening hardware
- Soft, protective material
- Common woodworking tools and materials

## Before You Begin

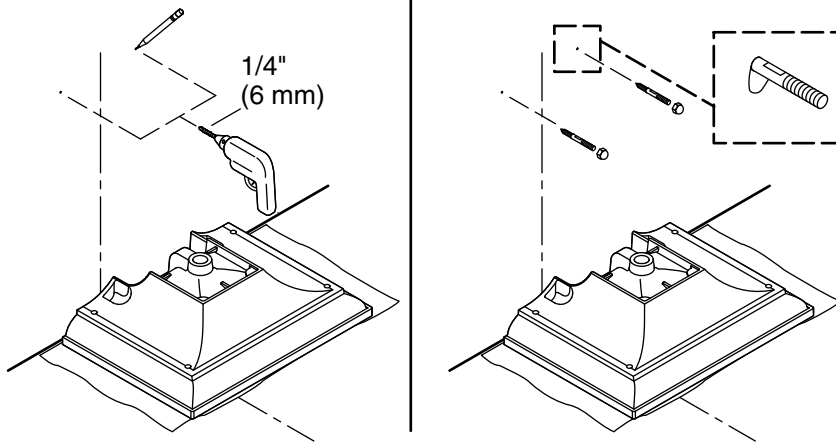
**NOTICE: Bathroom Sink Installer:** When directed, follow any sink installation steps in this installation guide instead of the instructions included with the sink.

**NOTE:** The side rails and front towel bar are designed to slide in and out for easy length adjustment.

- Observe all local building codes.
- Remove the legs from their carton, and inspect for damage.
- Use drill bits appropriate for your finished wall and floor materials.
- Use fastening hardware (not provided) appropriate for your wall material.

**NOTE:** The side rails and front towel bar are designed to slide in and out for easy length adjustment.

- Do not install this product alone!** This installation should be performed by at least two people.
- Install this product to a finished wall and finished floor that are plumb, level, and square. Make appropriate adjustments for other conditions.

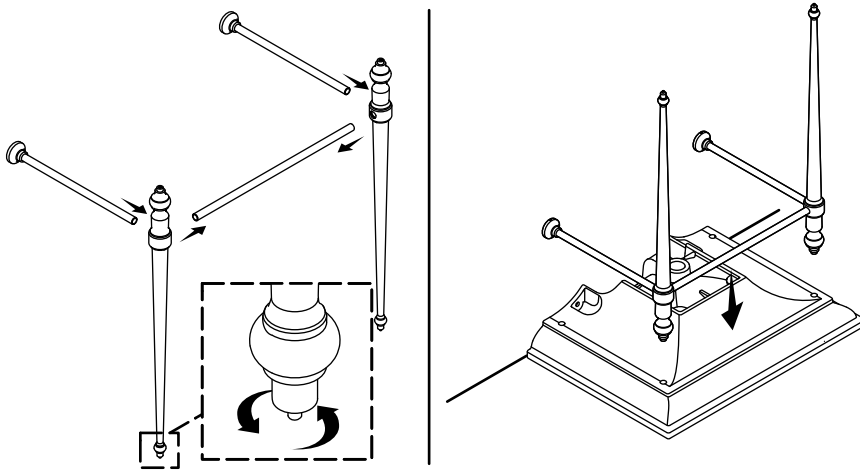


## 1. Prepare the Site

- Install adequate backing material to the wall according to the sink installation instructions.
- Complete the finished wall.
- Refer to the leg Specification Sheet, and mark the hanger bolt locations on the finished wall.
- Use a drill bit appropriate for your finished wall material, and drill 1/4" (6 mm) pilot holes at the marked locations.
- Identify your sink model in the list below to determine the distance the hanger bolts must extend beyond the finished wall.
  - **K-2239** - 1-1/4" (32 mm)
  - **K-2259** - 1-1/4" (32 mm)
  - **K-2269** - 7/8" (22 mm)
  - **K-29999** - 1-1/4" (32 mm)
- Install the hanger bolts with cap nuts (provided) so the hanger bolts extend the required distance from the finished wall.
- Remove and retain the cap nuts from the hanger bolts. You may need to carefully grip the hanger bolts with pliers to loosen the cap nuts.
- Position the sink upside down on the floor on a clean, soft surface.

**Prepare the Site (cont.)**

- Carefully slide the sink against the finished wall at the installation location.



## 2. Assemble the Legs

**NOTE:** The side rails and towel bar are designed to slide in and out for easy length adjustment.

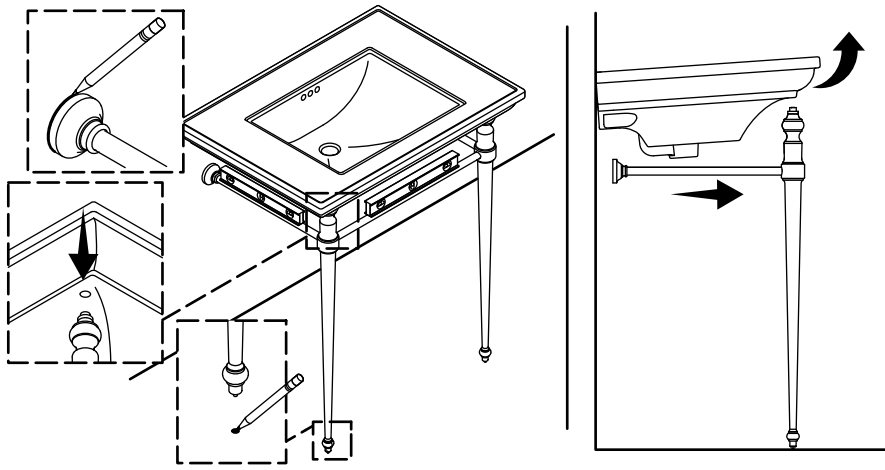
**IMPORTANT!** Make sure that the O-rings in the legs firmly engage the side rails and towel bar.

- Disassemble the wall brackets from the escutcheons. Set the wall brackets aside until needed.
- Insert the towel bar into the side holes in the legs until it engages the leg O-rings.
- Insert the side rails into the back holes in the legs until they engage the leg O-rings.
- Start the setscrews into the escutcheons.
- Insert the escutcheons onto the side rails until the O-rings engage the side rails.
- Turn the levelers into the legs as far as they will go.
- Turn the leg assembly upside down, and fit the leg bushings into the sink corner holes. Adjust the length of the towel bar as needed.
- Adjust the length of the side rails so the escutcheons are flat against the finished wall.

**NOTE:** The leg assembly will feel loose at this point. This is normal, and the leg assembly will be secured when completely installed.

**Assemble the Legs (cont.)**

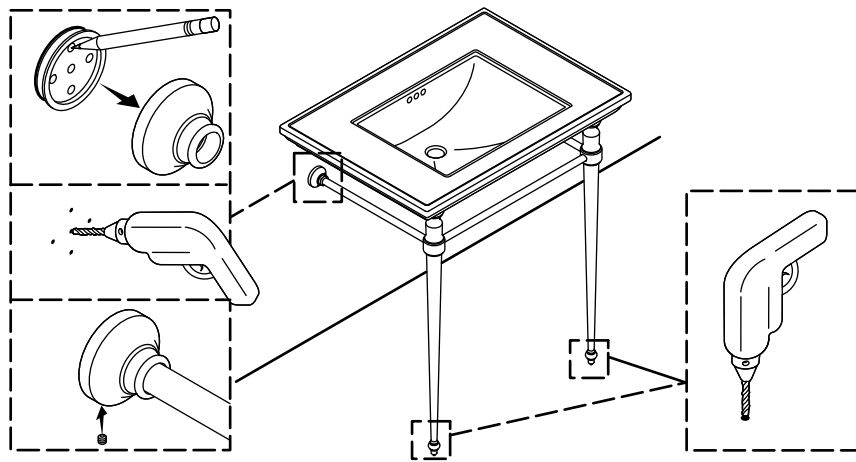
- Lift the leg assembly off the sink, and set it aside on a clean, soft surface.



### 3. Position the Legs

**IMPORTANT!** Perform the following steps with another person.

- With help, carefully hang and support the sink on the hanger bolts, and partially thread the cap nuts and washers.
- Verify that the sink is level.
- Carefully tilt the front of the sink upward, and move the leg assembly into place under the sink.
- Slowly lower the front of the sink, and insert the leg bushings into the sink corner holes.
- Level the side rails, and visually plumb the legs front to back and side to side.
- Use a pencil to trace around the escutcheons.
- Mark the leg locations on the finished floor.
- Move the leg assembly to a protected location.



#### 4. Install the Legs

**NOTE:** Use a drill bit and fastening hardware appropriate for your wall material.

- Position a wall bracket inside each traced escutcheon line, and mark the mounting hardware hole locations.
- Based upon the fastening hardware required for your wall material, drill pilot holes at the marked wall bracket locations.
- Install the wall brackets to the wall at the drilled hole locations. Tighten securely.

**NOTE:** Use a drill bit appropriate for your finished floor material.

- Drill two 5/16" holes 1/2" (13 mm) deep at the marked locations in the finished floor material.
- Lift the front of the sink, and move the leg assembly back into position.
- Fit the escutcheons over the wall brackets with the setscrews at the bottom.
- Use the hex wrench provided to securely tighten the setscrews.
- Level the leg assembly as needed by turning the levelers up or down.
- Use a wrench to securely tighten the cap nuts.
- Complete the sink installation by following the sink installation instructions.

## Care and Cleaning

For best results, keep the following in mind when caring for your KOHLER product:

- Use a mild detergent such as liquid dishwashing soap and warm water for cleaning. Do not use abrasive cleaners that may scratch or dull the surface.
- Carefully read the cleaner product label to ensure the cleaner is safe for use on the material.
- Always test your cleaning solution on an inconspicuous area before applying to the entire surface.
- Do not allow cleaners to sit or soak on the surface.
- Wipe surfaces clean and rinse completely with water immediately after cleaner application. Rinse and dry any overspray that lands on nearby surfaces.
- Use a soft, dampened sponge or cloth. Never use an abrasive material such as a brush or scouring pad to clean surfaces.

For detailed cleaning information and products to consider, visit [www.kohler.com/clean](http://www.kohler.com/clean). To order Care & Cleaning information, call 1-800-456-4537.

## Warranty

### ONE-YEAR LIMITED WARRANTY

KOHLER plumbing products are warranted to be free of defects in material and workmanship for one year from date of installation.

Kohler Co. will, at its election, repair, replace or make appropriate adjustment where Kohler Co. inspection discloses any such defects occurring in normal usage within one (1) year after installation. Kohler Co. is not responsible for removal or installation costs. **Use of in-tank toilet cleaners will void the warranty.**

To obtain warranty service contact Kohler Co. either through your Dealer, Plumbing Contractor, Home Center or E-tailer, or by writing Kohler Co., Attn.: Customer Care Center, 444 Highland Drive, Kohler, WI 53044, USA, or by calling 1-800-4-KOHLER (1-800-456-4537) from within the USA and Canada, and 001-800-456-4537 from within Mexico, or visit [www.kohler.com](http://www.kohler.com) within the USA, [www.ca.kohler.com](http://www.ca.kohler.com) from within Canada, or [www.mx.kohler.com](http://www.mx.kohler.com) in Mexico.

**IMPLIED WARRANTIES INCLUDING THAT OF MERCHANTABILITY AND FITNESS FOR A PARTICULAR**

**Warranty (cont.)**

**PURPOSE ARE EXPRESSLY LIMITED IN DURATION TO THE DURATION OF THIS WARRANTY. KOHLER CO. AND/OR SELLER DISCLAIM ANY LIABILITY FOR SPECIAL, INCIDENTAL OR CONSEQUENTIAL DAMAGES.** Some states/provinces do not allow limitations on how long an implied warranty lasts, or the exclusion or limitation of special, incidental or consequential damages, so these limitations and exclusions may not apply to you. This warranty gives you specific legal rights. You may also have other rights which vary from state/province to state/province.

**This is Kohler Co.'s exclusive written warranty.**