

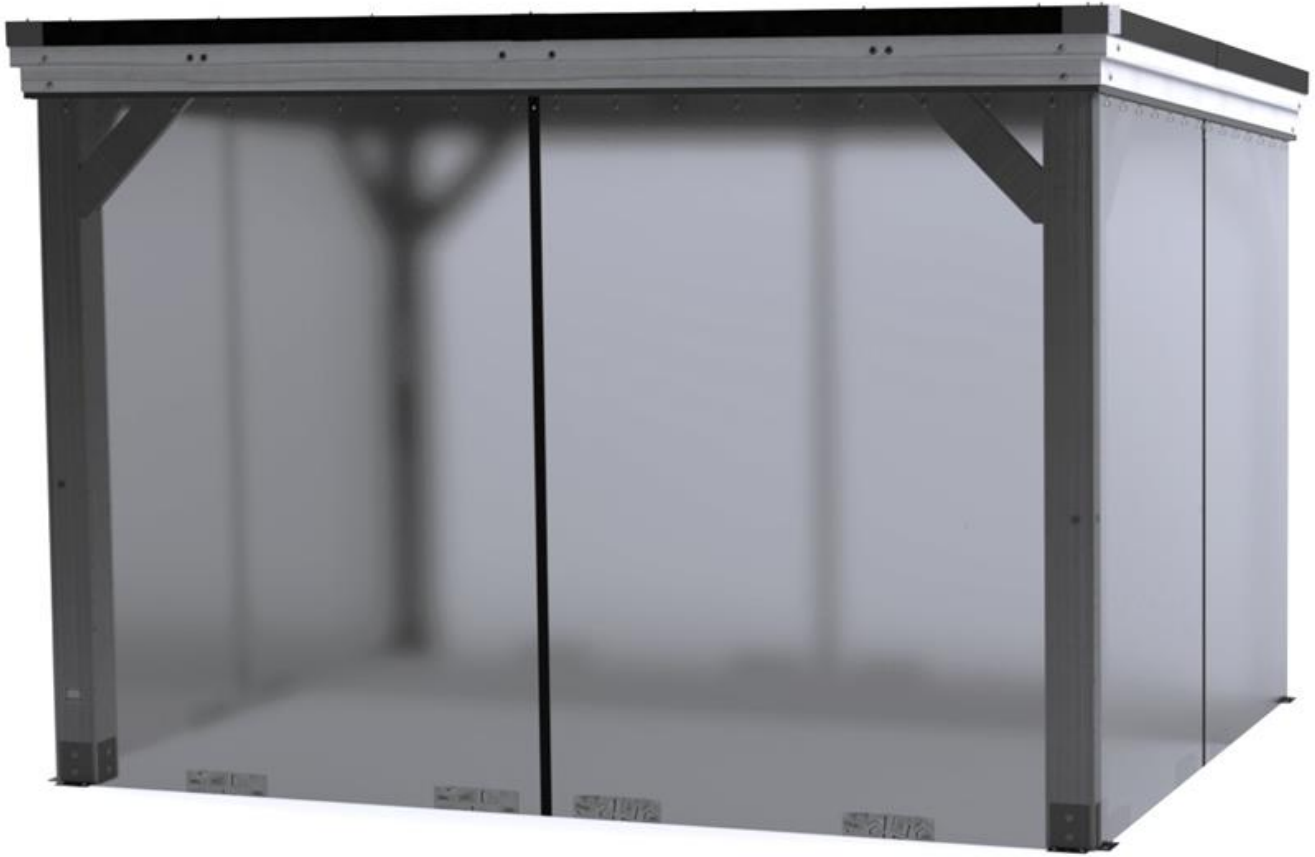


Manufactured by:
Backyard Discovery
3305 Airport Drive, Pittsburg, KS 66762
800-856-4445

Basepoint Business Centre: Rivermead Drive, Westlea, Swindon SN5 7EX Phone: 0800-118-2476 J.P. Coenstraat 7, The Bridge, The Hague, 2595 WP, Netherlands Phone: 08005678990

12x9.5 ARCADIA MOSQUITO MESH KIT

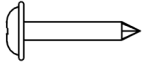
MODEL # : 9230286



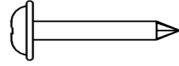
Please visit www.backyarddiscovery.com
For the most up to date assembly manual, to register your product, or to order
replacement parts *Para obtener instrucciones en español, visite*
www.backyarddiscovery.com

OWNER'S MANUAL - PARTS IDENTIFICATION

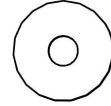
HARDWARE COMPONENTS (NOT TO SCALE)



H100392 SCREW PWH BLK
(x72) #8x3/4

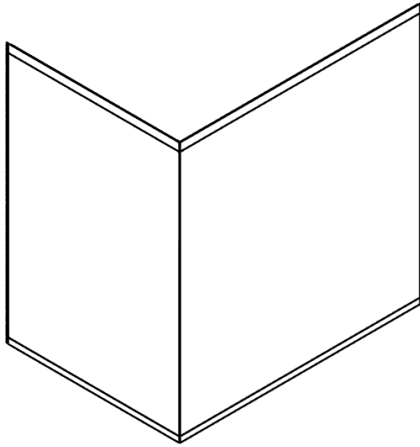


H100797 SCREW PWH BLK
(x8) #8x1



H100478 WASHER BLK
(x8) 8x27

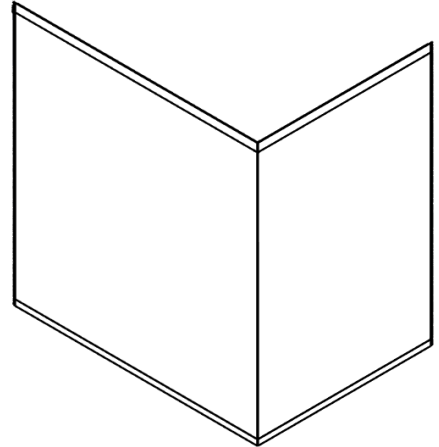
ACCESSORY COMPONENTS (NOT TO SIZE)



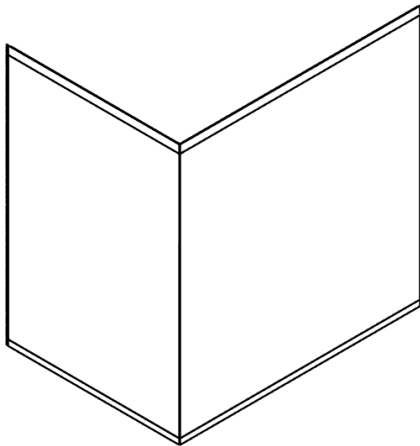
A6P00960 MESH PANEL
(x1)



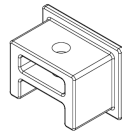
A6P00752 MESH PANEL TIE
(x4)



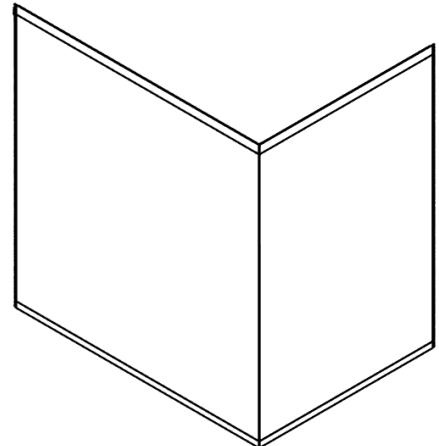
A6P00962 MESH PANEL
(x1)



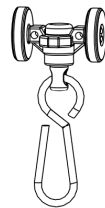
A6P00961 MESH PANEL
(x1)



A6P00958 TRACK END CAP
(x8)



A6P00963 MESH PANEL
(x1)



A6P00535 MESH PANEL HOOK
(x64)



A6P0950 MESH PANEL TRACK
(x4)



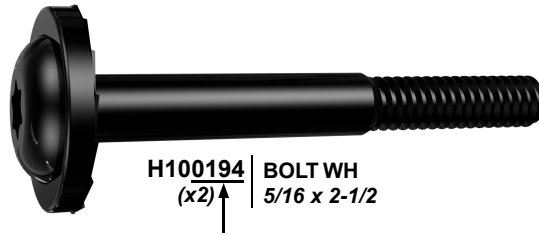
A6P00959 MESH PANEL TRACK
(x4)

PRE-ASSEMBLY STEP 1 - SORTING PARTS

It is critical for ease of assembly that you take the time to sort and organize the parts and hardware.

HARDWARE PARTS:

- We recommend that you have a separate table to organize the hardware.
- Hardware bags are printed with a seven-digit, alpha-numeric part number.
- You can organize your hardware by part number or group by hardware type (i.e. bolts, nuts, etc.).
- During assembly you only need to reference the last four digits of the number.



TOOLS REQUIRED:



Cordless Drill or
Electric Drill



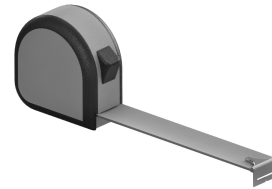
Drill Attachments:
Phillips Head



1/8" & 3/8" Drill
Bits



Phillips Screw Driver



Tape Measure

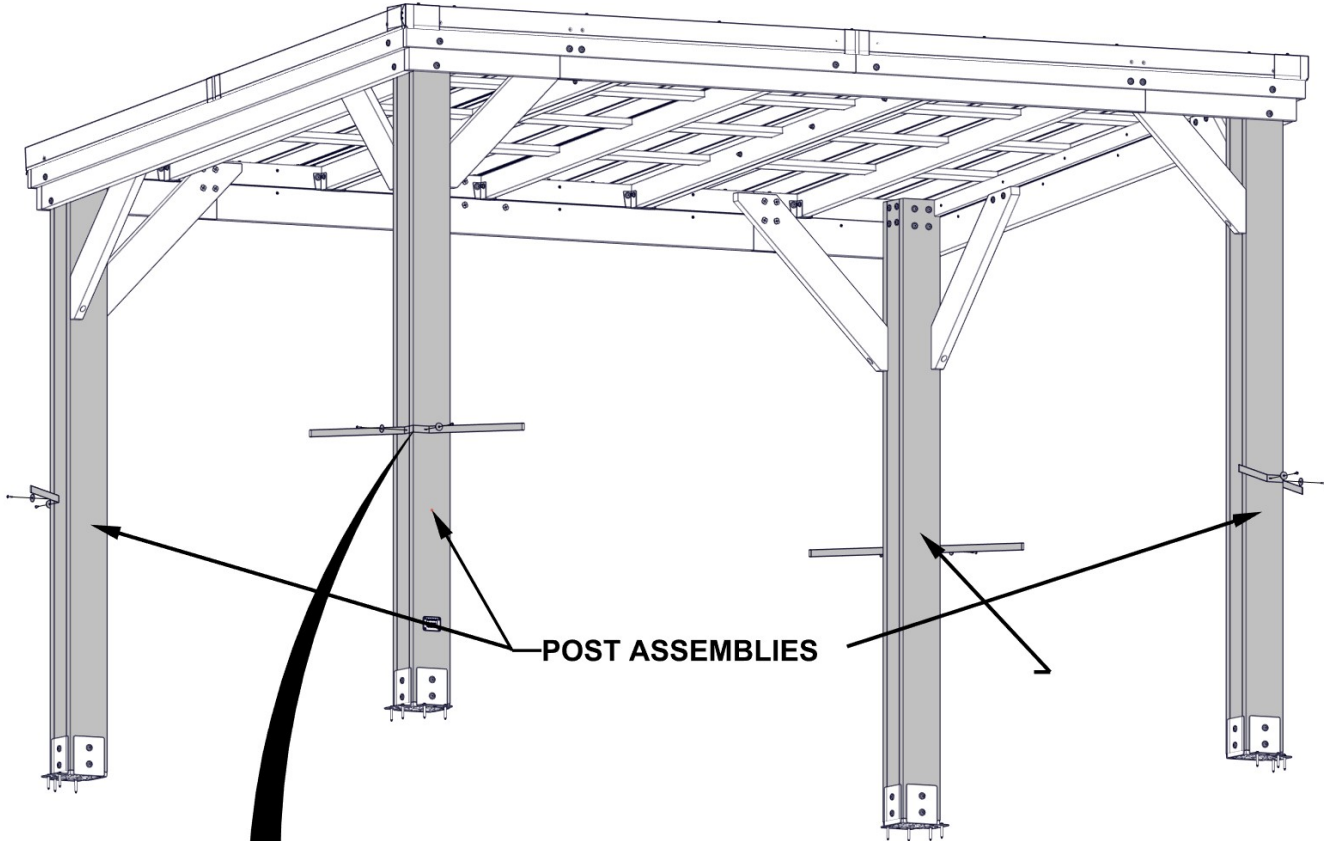
STEP 1 - TIES

Qty	PART NUMBER	DESCRIPTION
8	H100478	WASHER FLAT 8x27 BLK
8	H100392	SCREW PWH 8x3/4 BLK

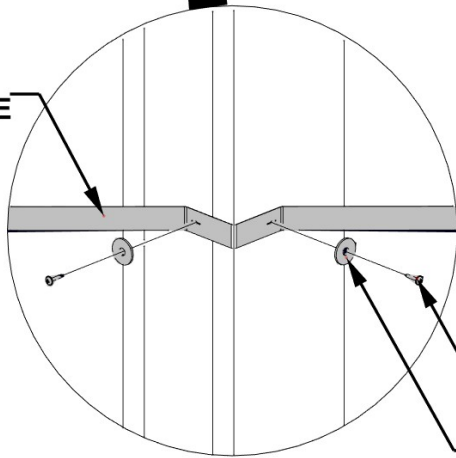


A6P00752 MESH PANEL TIE
(x4)

- ATTACH EACH MESH PANEL TIE TO THE POST ASSEMBLY AS SHOWN BELOW.

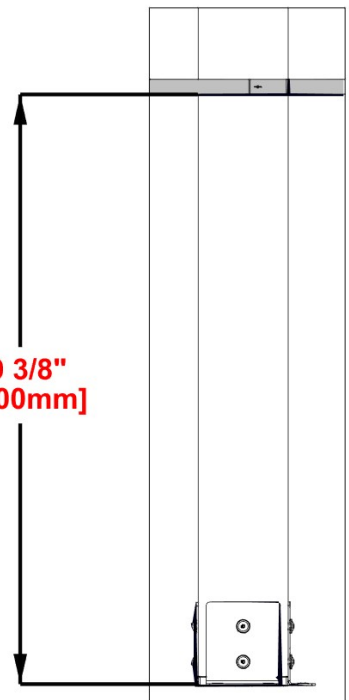


0752 (x4)
MESH PANEL TIE



392 (x8)
SCREW - 3/4"
478 (x8)
WASHER - 8x27

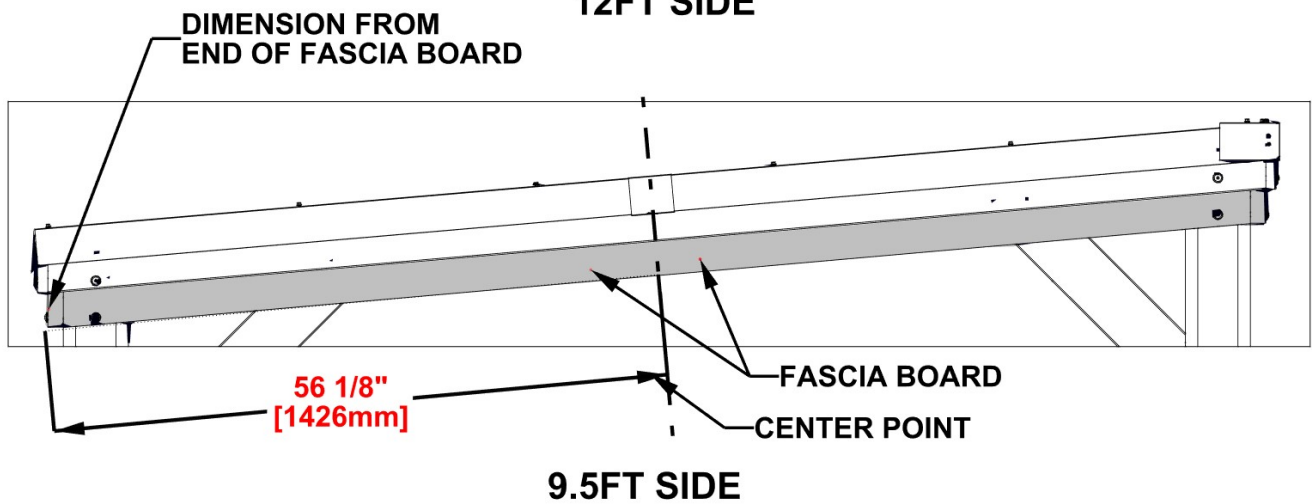
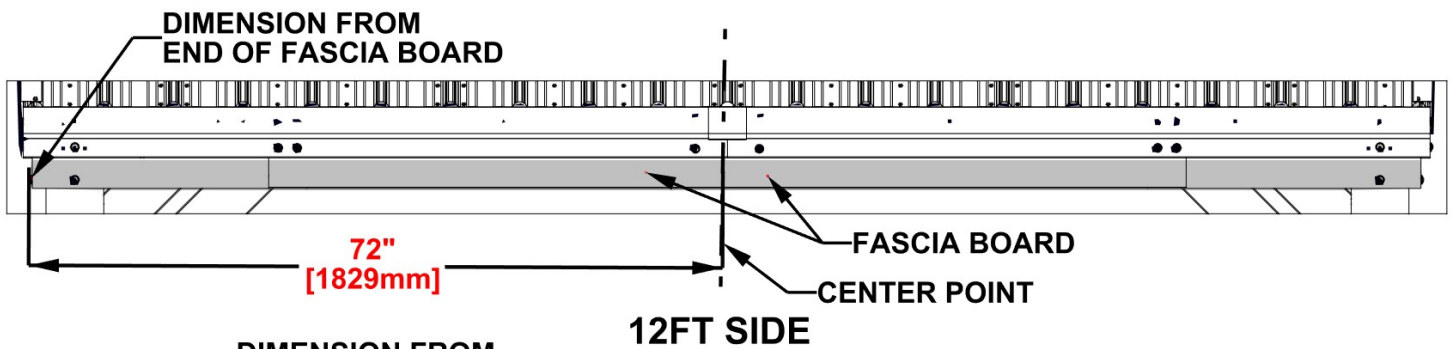
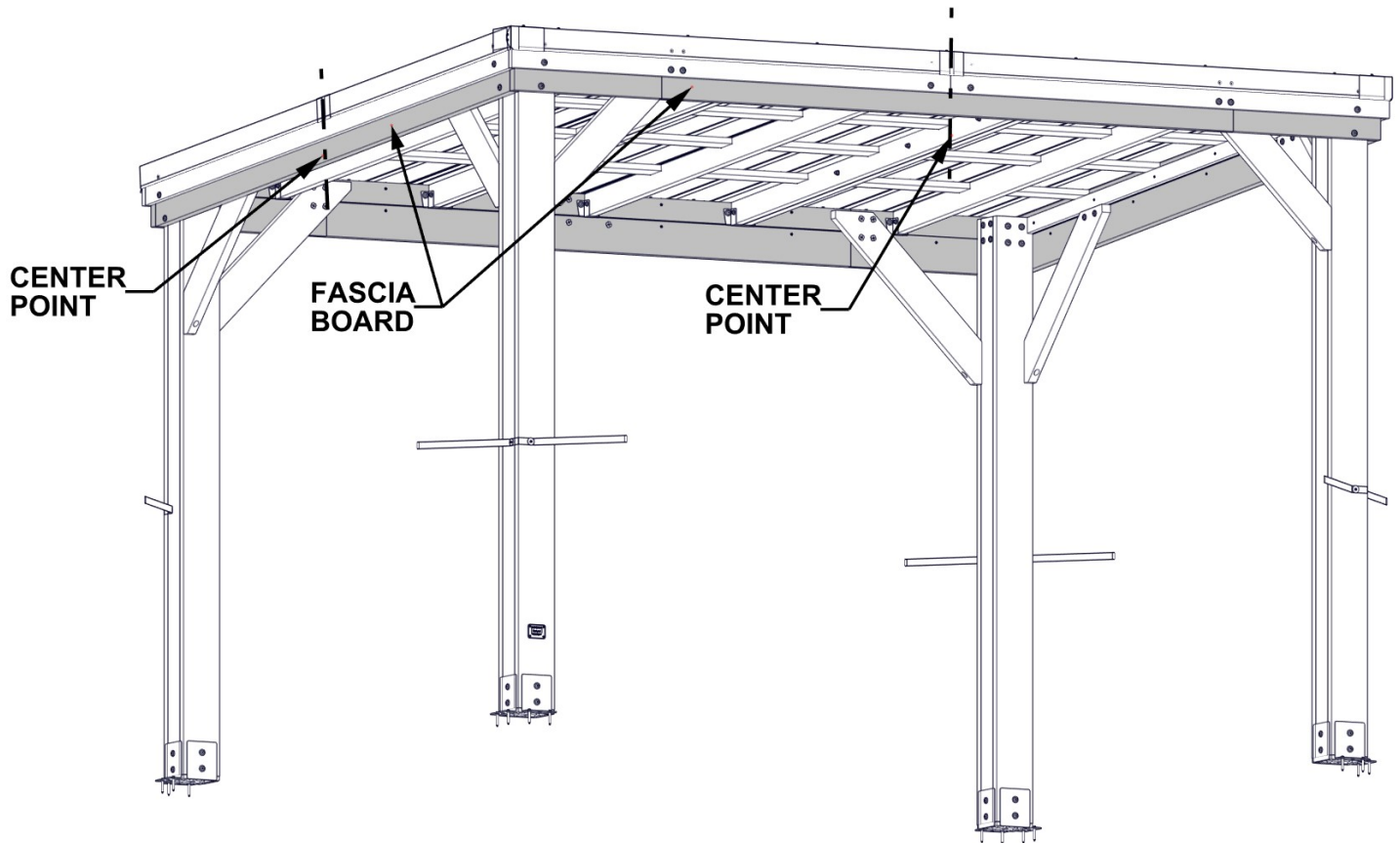
39 3/8"
[1000mm]



STEP 2 - MEASURE

EXTRA PEOPLE ARE HELPFUL FOR THIS STEP.

- MEASURE & MARK CENTER ON ALL FOUR SIDES OF FASCIA BOARD.



STEP 3A - TRACKS 9.5FT SIDE

Qty	PART NUMBER	DESCRIPTION
28	H100392	SCREW PWH 8x3/4 BLK

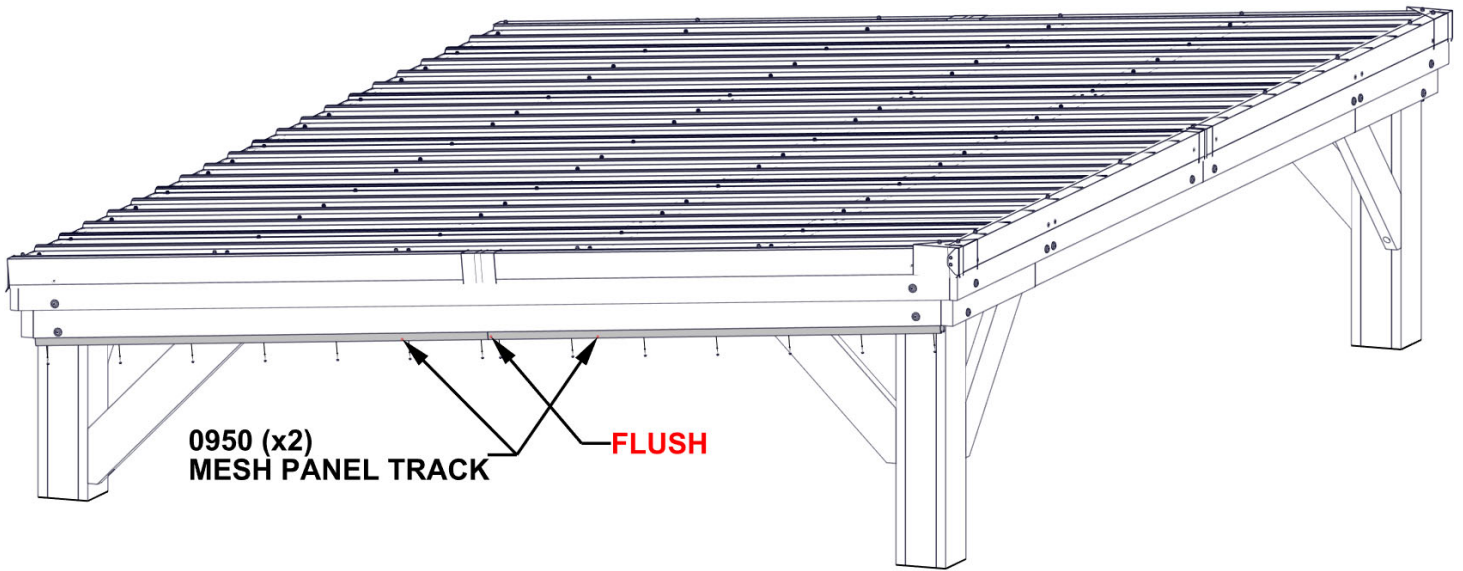


A6P00950 MESH PANEL TRACK
(x4)

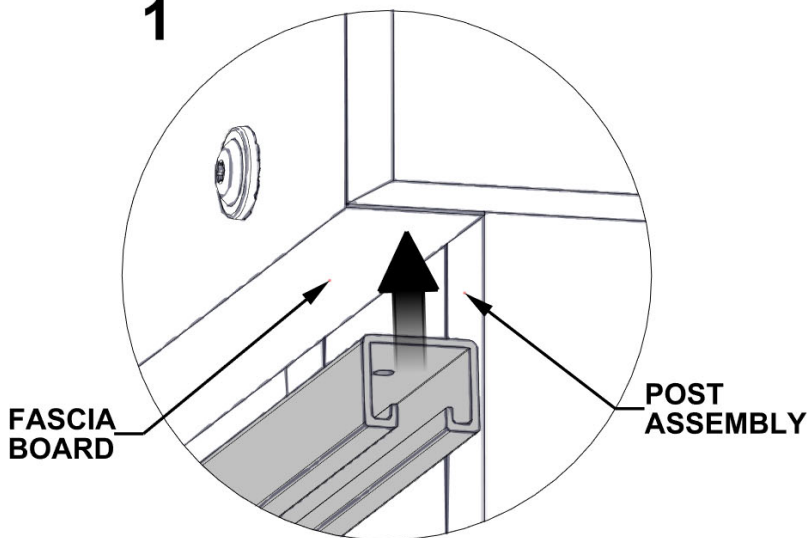
EXTRA PEOPLE ARE HELPFUL FOR THIS STEP.

1. BEGINNING AT THE CENTER POINT, MOUNT ONE (0950) TRACK SO THE INSIDE EDGE OF THE TRACK IS FLUSH WITH THE INSIDE EDGE OF THE FASCIA BOARD & FLUSH WITH THE FRONT OF THE POST ASSEMBLY (IMAGE 1).
2. ATTACH AS SHOWN (IMAGE 2).
3. REPEAT STEPS 1-2 FOR THE SECOND TRACK.

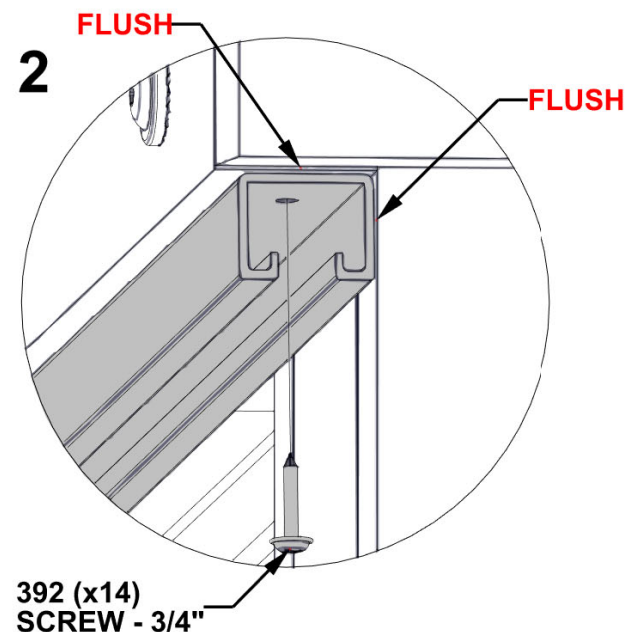
TRACKS SHOULD BE FLUSH IN THE CENTER.



1

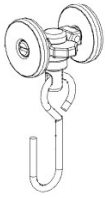


2

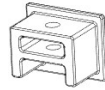


STEP 3B - TRACKS 9.5FT SIDE

Qty	PART NUMBER	DESCRIPTION
4	H100797	SCREW PWH 8x1 BLK

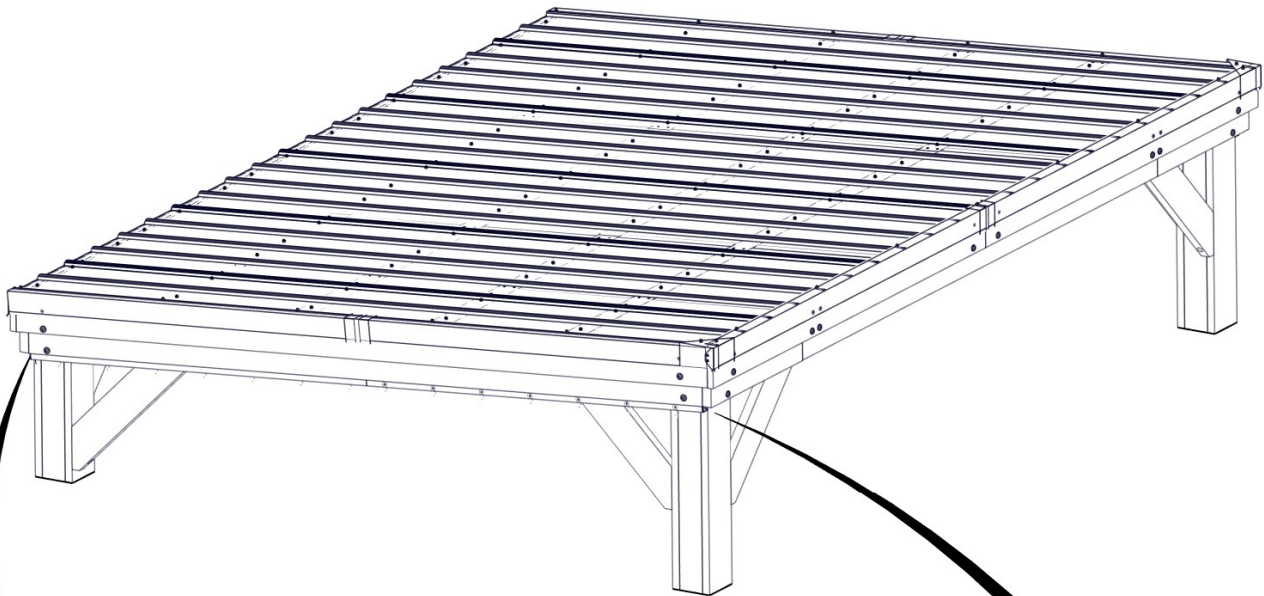


A6P00535 MESH PANEL HOOK
(x28)

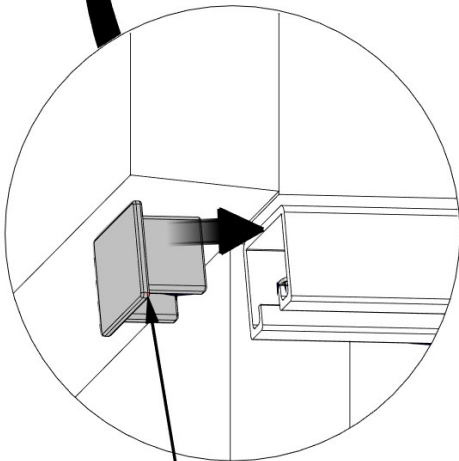


A6P00958 TRACK END CAP
(x4)

1. INSERT END CAP AT BOTTOM END OF TRACK FIRST (IMAGE 1 & 2)
2. INSERT 14 HOOKS AS SHOWN AT TOP END OF THE TRACK (IMAGE 3).
3. INSERT END CAPS IN TOP END OF TRACK.
4. REPEAT STEPS 1-3 FOR THE OPPOSITE 9.5FT SIDE.

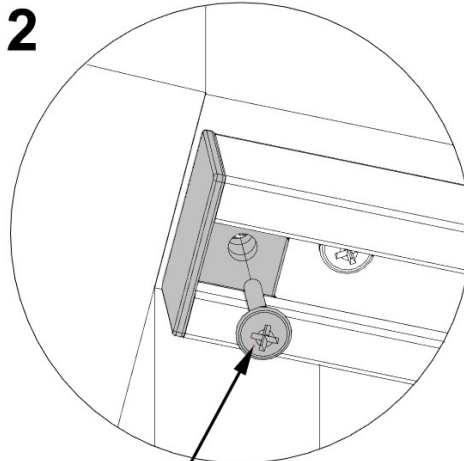


1



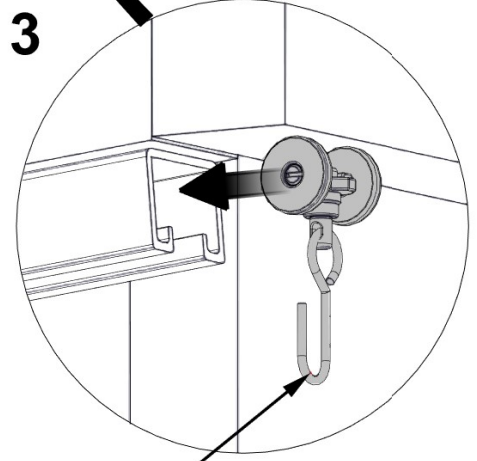
0958 (x2)
TRACK END CAP

2



797 (x2)
SCREW - 1"

3



0535 (x14)
MESH PANEL HOOK

STEP 4A - TRACKS 12FT SIDE

Qty	PART NUMBER	DESCRIPTION
20	H100392	SCREW PWH 8x3/4 BLK

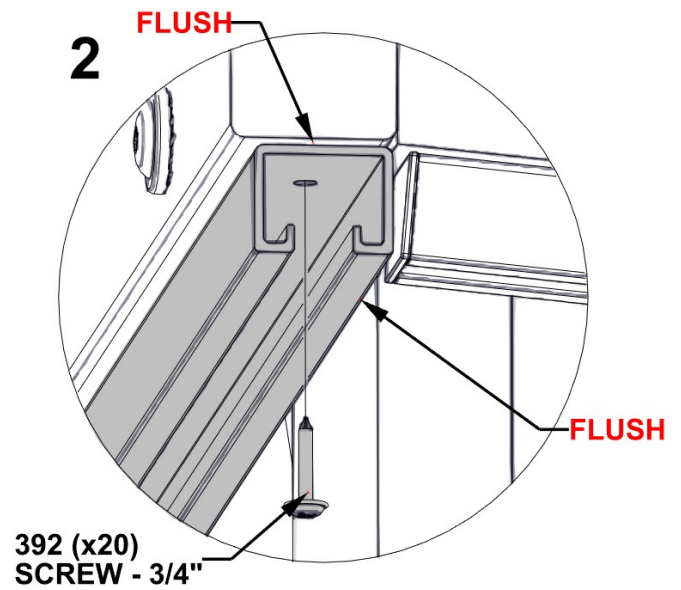
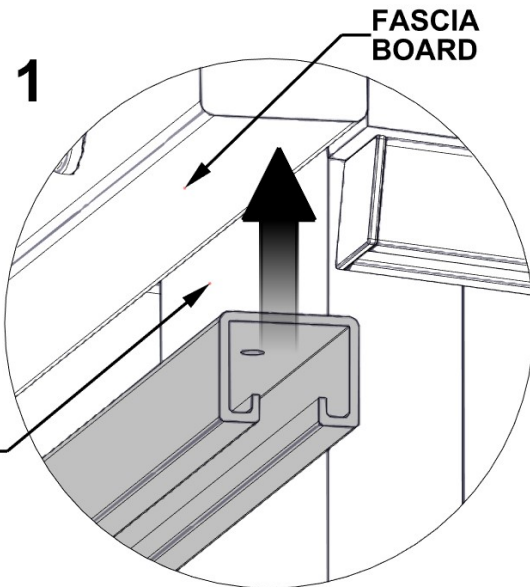
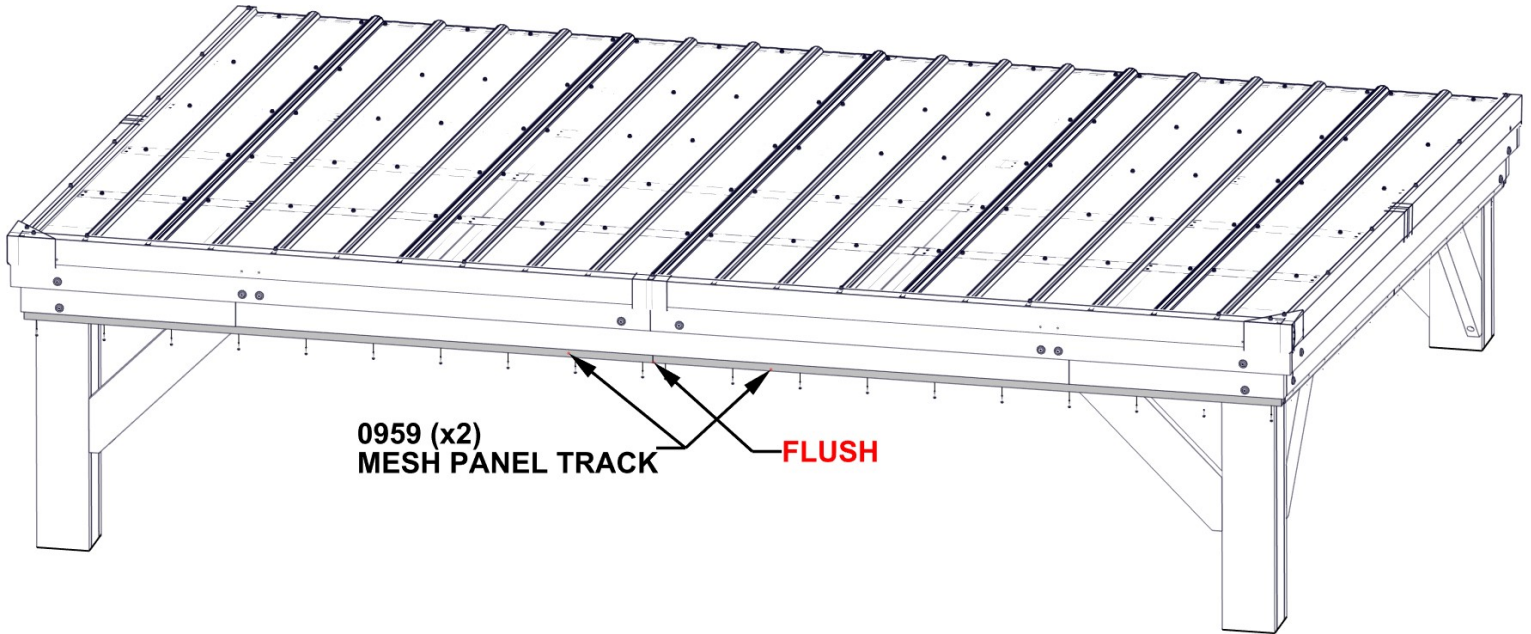


A6P00959 MESH PANEL TRACK
(x4)

EXTRA PEOPLE ARE HELPFUL FOR THIS STEP.

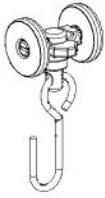
1. BEGINNING AT THE CENTER POINT, MOUNT ONE (0959) TRACK SO THE INSIDE EDGE OF THE TRACK IS FLUSH WITH THE INSIDE EDGE OF THE FASCIA BOARD & FLUSH WITH THE FRONT OF THE POST ASSEMBLY (IMAGE 1).
2. ATTACH AS SHOWN (IMAGE 2).
3. REPEAT STEPS 1-2 FOR THE SECOND TRACK.

TRACKS SHOULD BE FLUSH IN THE CENTER.



STEP 4B - TRACKS 12FT SIDE

Qty	PART NUMBER	DESCRIPTION
4	H100797	SCREW PWH 8x1 BLK

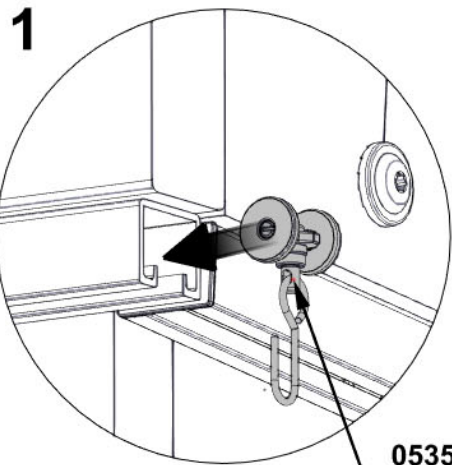
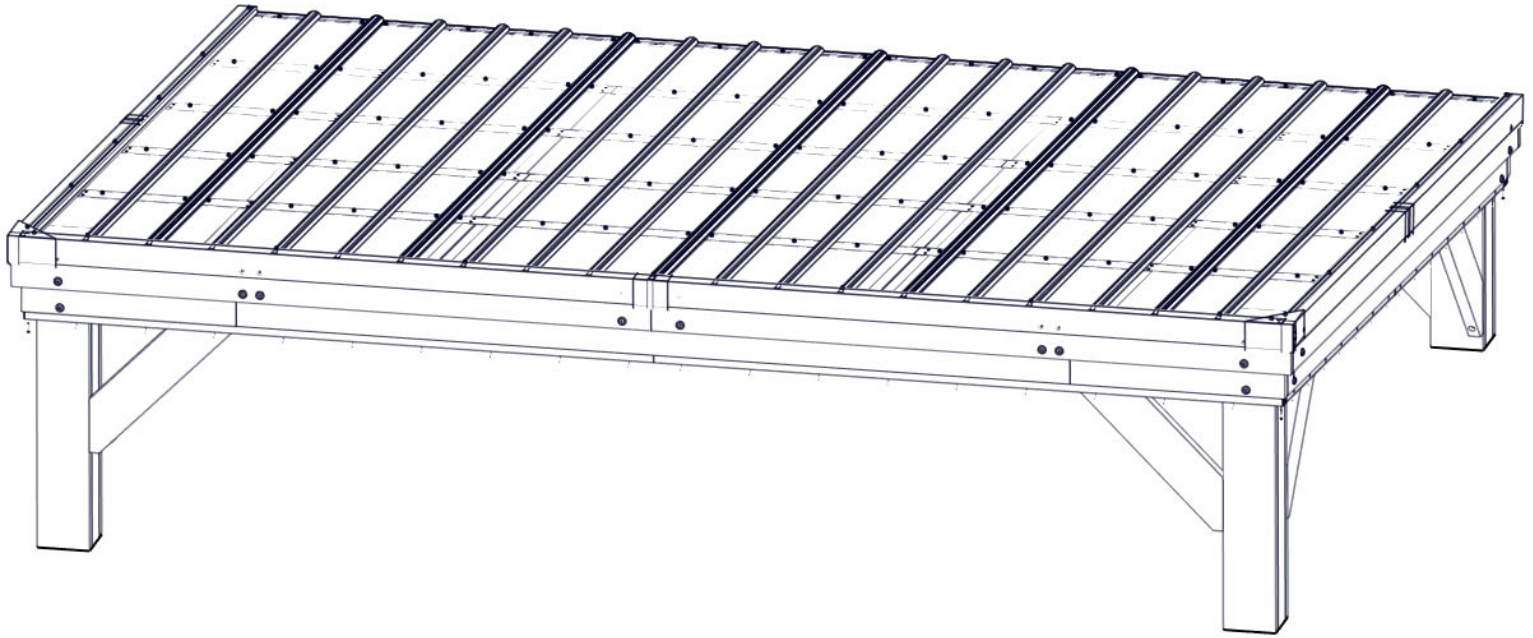


A6P00535 MESH PANEL HOOK
(x36)



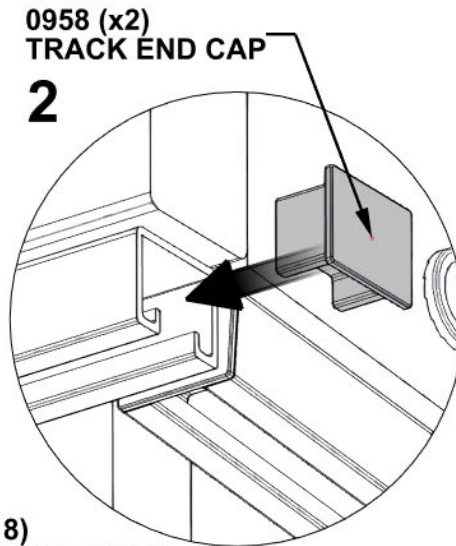
A6P00958 TRACK END CAP
(x4)

1. INSERT 18 HOOKS AS SHOWN (IMAGE 1).
2. INSERT END CAPS IN BOTH ENDS OF THE TRACK (IMAGE 2).
3. ATTACH END CAPS AS SHOWN (IMAGE 3).
4. REPEAT STEPS 1-3 FOR THE SECOND TRACK.
5. REPEAT ALL STEPS FOR 4A & 4B FOR THE OPPOSITE 12FT SIDE.



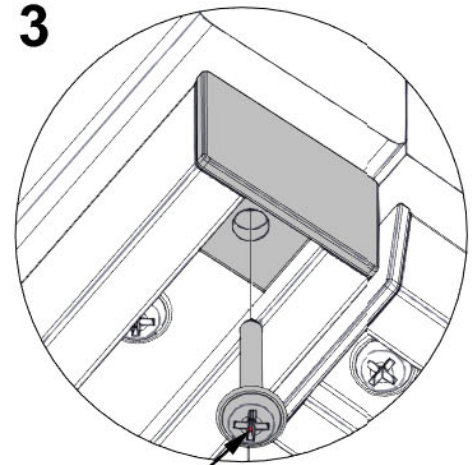
1

0535 (x18)
MESH PANEL HOOK



0958 (x2)
TRACK END CAP

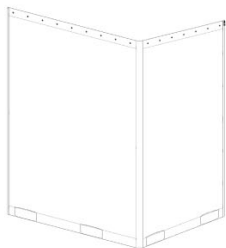
2



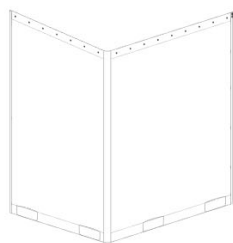
3

797 (x2)
SCREW - 1"

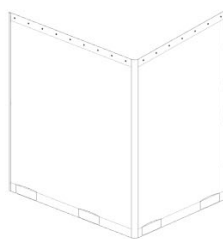
STEP 5 - MESH PANEL



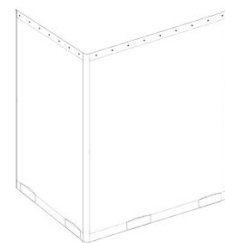
A6P00963 MESH PANEL (x1)



A6P00960 MESH PANEL (x1)



A6P00962 MESH PANEL (x1)



A6P00961 MESH PANEL (x1)

EXTRA PEOPLE ARE HELPFUL FOR THIS STEP.

1. EACH PANEL GOES AROUND THE OUTSIDE OF THE POSTS AND COVERS ONE HALF OF THE 12FT SIDE AND ONE HALF OF THE 9.5FT SIDE.
2. THE POCKETS AT THE BOTTOM OF THE PANELS SHOULD BE FACING THE INSIDE OF THE GAZEBO.
ZIPPERS WILL NOT ALIGN IF PANELS ARE FACING THE WRONG DIRECTION.
3. BEGIN HANGING MESH PANEL A6P00963 AT THE CENTER OF THE FRONT OF THE UNIT (USING 9 HOOKS). CONTINUE AROUND THE POST TO THE 9.5FT SIDE (USING 7 HOOKS).
4. CONTINUE ADDING PANELS FOLLOWING THE ORDER SHOWN ON THE "TOP VIEW" DETAIL.

