

2

1

REV	EC.NO.	DATE	DESCRIPTION	DFTR	CK.
A			INITIAL RELEASE		

B

B

A

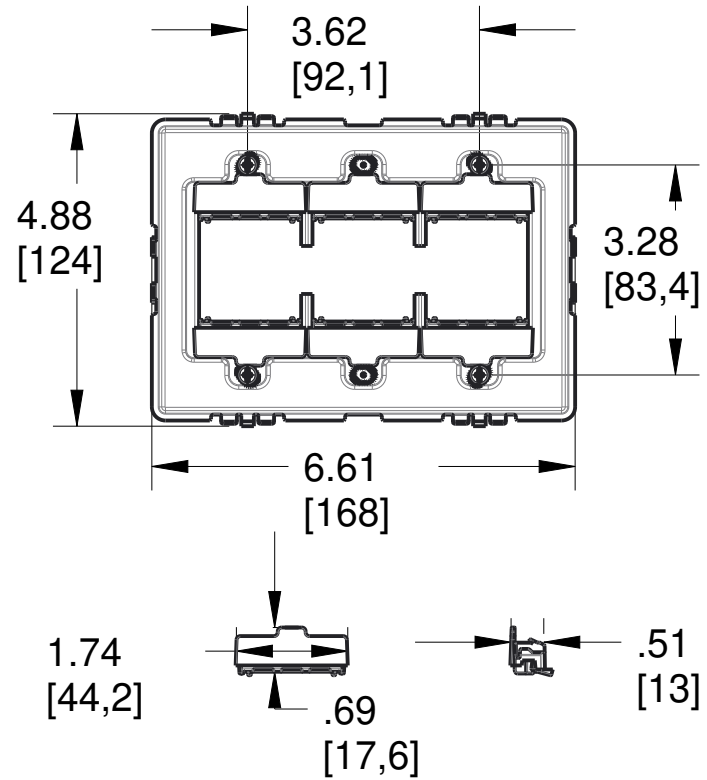
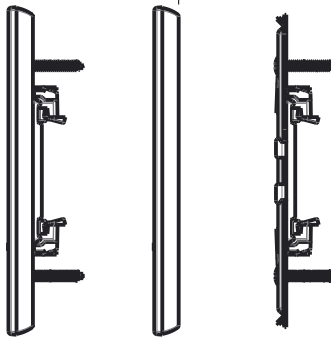
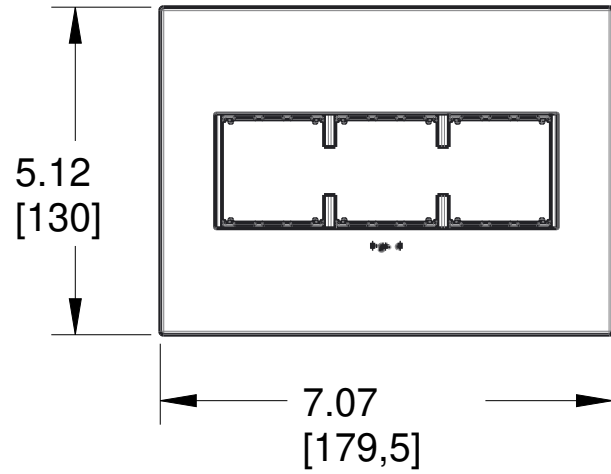
A



.13  
[3,2]



.38  
[9,7]



3rd Party Compliance: cULus LISTED,  
cETLus LISTED  
Includes Wallplate, Subframe And Spacers  
Shown  
For Use With adorne System Only  
All adorne System Subframes Are Grounded  
All adorne Wallplates Containing Metal  
Are Grounded

### AWP3G, Wallplate Plastic 3-Gang

MATERIAL	SEE NOTE	UNSPECIFIED TOL. FRAC. ± 1/64 ANGLES ± 1.0 DEC. 0 ± 0.02 .00 ± 0.01 .000 ± 0.005	 		
FINISH	SEE NOTE				
DSGN.BY: RMR	5/19/2015		MODEL NAME: AWP3G		
DR.BY:		SHT 1 of 1	PROJ.	DWG.NO.:	REV.:
CK.BY:		SCALE: 0.333		CD1152	A
NOTICE: Proprietary and confidential information of Pass & Seymour/Legrand Reproduction or disclosure prohibited under penalty of law.					

2

1