

**SONY**<sup>®</sup>

5-022-948-11 (1)

# Video Projector

Quick Reference Manual \_\_\_\_\_ **GB**

Guide de référence rapide \_\_\_\_\_ **FR**

VPL-VW715ES



# About the Quick Reference Manual

This Quick Reference Manual explains the installation and basic operations for projecting pictures. It also describes important notes and cautions to which you have to pay attention when handling and using this unit.

Refer to “Warning Indicators” and “Replacing the Lamp,” as necessary.

For details on the operations, refer to the Operating Instructions contained in the supplied CD-ROM.

## Step 1

**Preparing .....Page 9**

## Step 2

**Installing the Unit.....Page 10**

## Step 3

**Connecting the Unit.....Page 12**

## Step 4

**Selecting the Menu Language .....Page 13**

## Step 5

**Projecting.....Page 14**

---

**Error Handling**    **Warning Indicators.....Page 16**

**Maintenance**    **Replacing the Lamp .....Page 17**

Before operating the unit, please read this manual thoroughly and retain it for future reference.

When using the product, do not use it for purposes other than those described in the instruction manual.

## WARNING

**To reduce the risk of fire or electric shock, do not expose this apparatus to rain or moisture.**

**To avoid electrical shock, do not open the cabinet. Refer servicing to qualified personnel only.**

### WARNING

**This apparatus must be earthed.**

### WARNING

When installing the unit, incorporate a readily accessible disconnect device in the fixed wiring, or connect the power plug to an easily accessible socket-outlet near the unit. If a fault should occur during operation of the unit, operate the disconnect device to switch the power supply off, or disconnect the power plug.

### CAUTION

For safety, do not connect the connector for peripheral device wiring that might have excessive voltage to the following port: LAN connector

### WARNING

1. Use the approved Power Cord (3-core mains lead) / Appliance Connector / Plug with earthing-contacts that conforms to the safety regulations of each country if applicable.
2. Use the Power Cord (3-core mains lead) / Appliance Connector / Plug conforming to the proper ratings (Voltage, Ampere).

If you have questions on the use of the above Power Cord / Appliance Connector / Plug, please consult a qualified service personnel.

### CAUTION

- Danger of explosion if battery is incorrectly replaced. Replace only with the same or equivalent type recommended by the manufacturer.
- When you dispose of the battery or the product, you must obey the law in the corresponding area or country. Do not dispose of the battery or the product in a fire or a hot oven, or mechanically crush or cut the battery. It may explode or cause a fire. Do not subject the battery to extremely low air pressure that may result in an explosion or the leakage of flammable liquid or gas.
- Do not place the battery in a high temperature place, such as under direct sunlight or near fire. It may ignite, explode, or cause a fire. Do not immerse or wet the battery in water or seawater. This may cause an electric shock.

### CAUTION

The following size and number of batteries are required for the remote control.

- Size AA (R6)
- Two

To avoid risk of explosion, use only the following type of battery.

- Size AA (R6) manganese or alkaline batteries

### About 3D Glasses

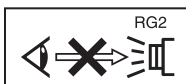
The 3D Glasses communicate with the projector via Bluetooth technology to display 3D signals.

(a) frequency band(s) in which the radio equipment operates:

2.4 - 2.4835 GHz

(b) maximum radio-frequency power transmitted in the frequency band(s) in which the radio equipment operates:

4.30 dBm (E.I.R.P.)



As with any bright light source, do not stare into the beam, RG2 IEC 62471-5: 2015.

## For the customers in the U.S.A.

This equipment has been tested and found to comply with the limits for a Class B digital device, pursuant to part 15 of the FCC Rules. These limits are designed to provide reasonable protection against harmful interference in a residential installation. This equipment generates, uses and can radiate radio frequency energy and, if not installed and used in accordance with the instructions, may cause harmful interference to radio communications. However, there is no guarantee that interference will not occur in a particular installation. If this equipment does cause harmful interference to radio or television reception, which can be determined by turning the equipment off and on, the user is encouraged to try to correct the interference by one or more of the following measures:

- Reorient or relocate the receiving antenna.
- Increase the separation between the equipment and receiver.
- Connect the equipment into an outlet on a circuit different from that to which the receiver is connected.
- Consult the dealer or an experienced radio/TV technician for help.

You are cautioned that any changes or modifications not expressly approved in this manual could void your authority to operate this equipment.

All interface cables used to connect peripherals must be shielded in order to comply with the limits for a digital device pursuant to Subpart B of part 15 of FCC Rules.

If you have any questions about this product, you may call;  
Sony Customer Information Service Center  
1-800-222-7669 or <http://www.sony.com/>

## Supplier's Declaration of Conformity

Trade Name: SONY  
Model: VPL-VW715ES  
Responsible party: Sony Electronics Inc.  
Address: 16535 Via Esprillo,  
San Diego, CA 92127  
U.S.A.  
Telephone Number: 858-942-2230

This device complies with part 15 of the FCC Rules. Operation is subject to the following two conditions: (1) This device may not cause harmful interference, and (2) this device must accept any interference received, including interference that may cause undesired operation.

This transmitter must not be co-located or operating in conjunction with any other antenna or transmitter.

## For the customers in Canada

This device complies with Industry Canada's applicable licence-exempt RSSs. Operation is subject to the following two conditions:

- (1) This device may not cause interference; and
- (2) This device must accept any interference, including interference that may cause undesired operation of the device.

## For the customers in the U.S.A. and Canada

### Radiated Exposure Statement:

The product complies with the US/Canadian portable RF exposure limit set forth for an uncontrolled environment and is safe for intended operation as described in this manual. The further RF exposure reduction can be achieved if the product can be kept as far as possible from the user body or if the device is set to lower output power if such function is available.

## For the customers in Canada

CAN ICES-3 (B)/NMB-3(B)

### **For the customers in the U.S.A.**

**SONY LIMITED WARRANTY** - Please visit <http://www.sony.com/psa/warranty> for important information and complete terms and conditions of Sony's limited warranty applicable to this product.

### **For the customers in Canada**

**SONY LIMITED WARRANTY** - Please visit <http://www.sonybiz.ca/pro/lang/en/ca/article/resources-warranty> for important information and complete terms and conditions of Sony's limited warranty applicable to this product.

### **For the customers in Europe**

Sony Professional Solutions Europe - Standard Warranty and Exceptions on Standard Warranty.

Please visit [https://pro.sony/en\\_GB/support-services/warranty/support-professional-solutions-europe-standard-product-warranty](https://pro.sony/en_GB/support-services/warranty/support-professional-solutions-europe-standard-product-warranty) for important information and complete terms and conditions.

### **For the customers in Korea**

**SONY LIMITED WARRANTY** - Please visit <http://bpeng.sony.co.kr/handler/BPAS-Start> for important information and complete terms and conditions of Sony's limited warranty applicable to this product.

---

## Precautions

---

### On safety

- Check that the operating voltage of your unit is identical with the voltage of your local power supply.
- Should any liquid or solid object fall into the cabinet, unplug the unit and have it checked by qualified personnel before operating it further.
- Unplug the unit from the wall outlet if it is not to be used for several days.
- To disconnect the cord, pull it out by the plug. Never pull the cord itself.
- The wall outlet should be near the unit and easily accessible.
- The unit is not disconnected to the AC power source (mains) as long as it is connected to the wall outlet, even if the unit itself has been turned off.
- Do not look into the lens while the lamp is on.
- Do not place your hand or objects near the ventilation holes. The air coming out is hot.

---

### On preventing internal heat build-up

After you turn off the power with the I/⏻ (ON/STANDBY) button, do not disconnect the unit from the wall outlet while the cooling fan is still running.

### Caution

This unit is equipped with ventilation holes (intake) and ventilation holes (exhaust). Do not block or place anything near these holes, or internal heat build-up may occur, causing picture degradation or damage to the unit.

---

### On repacking

Save the original shipping carton and packing material; they will come in handy if you ever have to ship your unit. For maximum protection, repack your unit as it was originally packed at the factory.

---

## On watching 3D video images

### Safety precautions

- You should only use the 3D glasses for watching 3D video images.
- If you observe flickering or flashing, turn off the lighting in the room.
- Not for use by children without proper adult supervision.
- Be careful not to pinch your fingers in hinges of the 3D glasses when bending the temple frames.
- Do not drop or modify these 3D glasses.
- If these glasses are broken, keep broken pieces away from your mouth or eyes.

---

## On LCD Projector

The LCD projector is manufactured using high-precision technology. You may, however, see tiny black points and/or bright points (red, blue, or green) that continuously appear on the LCD projector. This is a normal result of the manufacturing process and does not indicate a malfunction.

Also, when you use multiple LCD projectors to project onto a screen, even if they are of the same model, the color reproduction among projectors may vary, since color balance may be set differently from one projector to the next.

---

## On condensation

If the room temperature where the projector is installed changes rapidly, or if the projector is moved suddenly from a cold to a warm place, condensation in the projector may occur. As the condensation may cause malfunction, be careful in adjusting temperature settings of the air conditioner. If condensation occurs, leave the projector turned on for about two hours before use.

---

## Notes on security

- SONY WILL NOT BE LIABLE FOR DAMAGES OF ANY KIND RESULTING FROM A FAILURE TO IMPLEMENT PROPER SECURITY MEASURES ON TRANSMISSION DEVICES, UNAVOIDABLE DATA LEAKS RESULTING FROM TRANSMISSION SPECIFICATIONS,

OR SECURITY PROBLEMS OF ANY KIND.

- Depending on the operating environment, unauthorized third parties on the network may be able to access the unit. When connecting the unit to the network, be sure to confirm that the network is protected securely.
- From a safety standpoint, when using the unit connected with the network, it is strongly recommended to access the Control window via a Web browser and change the access limitation settings from the factory preset values (refer to “Using Network Features” in the Operating Instructions).  
Changing the password regularly is also recommended.
- Do not browse any other website in the Web browser while making settings or after making settings. Since the login status remains in the Web browser, close the Web browser when you complete the settings to prevent unauthorized third parties from using the unit or harmful programs from running.

---

## Do not place this product close to medical devices

This product (including accessories) has magnet(s) which may interfere with pacemakers, programmable shunt valves for hydrocephalus treatment, or other medical devices. Do not place this product close to persons who use such medical devices. Consult your doctor before using this product if you use any such medical device.

<p>SONY WILL NOT BE LIABLE FOR DAMAGES OF ANY KIND RESULTING FROM THE USE OF THIS UNIT FOR PURPOSES OTHER THAN GENERAL HOME USE, EITHER DURING THE WARRANTY PERIOD OR AFTER EXPIRATION OF THE WARRANTY.</p>
---

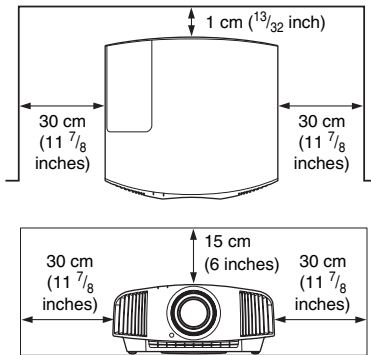
# Notes on Installation and Usage

## Unsuitable installation

Do not place the unit in the following situations, which may cause malfunction or damage to the unit.

### Near walls

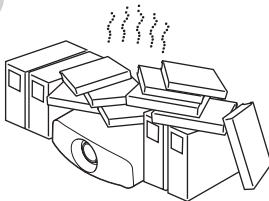
To maintain the performance and reliability of the unit, leave space between walls and the unit as illustrated.



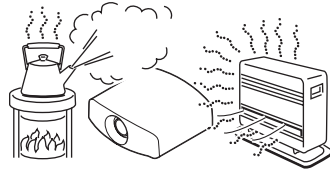
Air from air conditioners or the ventilation holes of this unit or other devices, may cause oscillation on the screen. Be sure not to install this unit in the area where the air from air conditioners or the ventilation holes of these devices reach to the front side of this unit.

### Poorly ventilated location

Leave space of more than 30 cm (11 7/8 inches) around the unit.

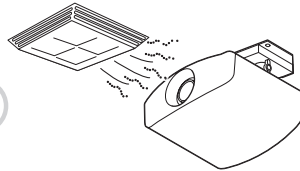


### Hot and humid



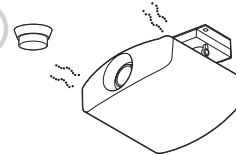
### Locations subject to direct cool or warm air from an air-conditioner

Installing the unit in such a location may cause a malfunction of the unit due to moisture condensation or rise in temperature.

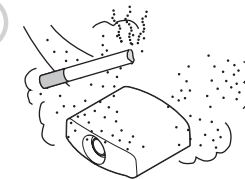


### Near a heat or smoke sensor

Malfunction of the sensor may occur.



### Very dusty and extremely smoky locations



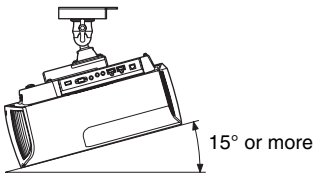
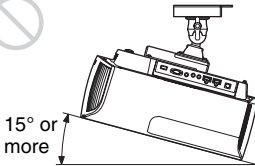
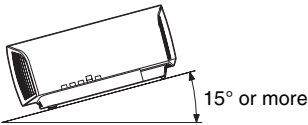
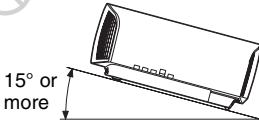
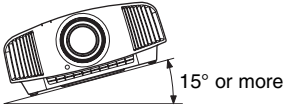
## Unsuitable Conditions

Do not do any of the following while using the unit.


### Tilting front/rear and left/right

Avoid using the unit tilted at an angle of more than 15 degrees.

Do not install the unit anywhere other than on a level surface or on the ceiling. Installing the unit in such a location may result in uneven color uniformity or reduce the reliability of the effects of the lamp. If the unit is tilted up or down, the image on the screen may be trapezoidal. Position the unit so that the lens is parallel to the screen.



### When installing the unit at high altitudes

When using the unit at an altitude of 1,500 m (approx. 4,900 ft) or higher, set “High Altitude Mode” on the Setup  menu to “On”. Failing to set this mode when using the unit at high altitudes could have

adverse effects, such as reducing the reliability of certain components.

### Safety precautions for installing the unit on a ceiling

- Never mount the projector on the ceiling or move it by yourself. Be sure to consult with qualified Sony personnel (charged).
- When installing the unit on a ceiling, be sure to use a safety wire, etc., to prevent the unit from falling. Entrust the installation to an experienced contractor or installer.

### For dealers

- When the projector is mounted on the ceiling, a Sony bracket or recommended equivalent must be used for installation.
- Be sure to secure the cabinet cover firmly when installing to the ceiling firmly.

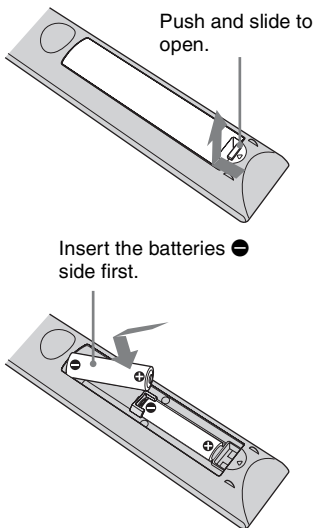


## Checking the Supplied Accessories

Check the carton to make sure it contains the following items:

- Remote control RM-PJ24 (1)
- Size AA (R6) manganese batteries (2)
- Lens cap (1)  
When you purchase the projector, a lens cap is on the lens. Remove the lens cap before you use the projector.
- AC power cord (1)
- Quick Reference Manual (this manual) (1)
- Operating Instructions (CD-ROM) (1)

## Inserting the Batteries into the Remote Control



## Caution about handling the remote control

- Handle the remote control with care. Do not drop or step on it, or spill liquid of any kind onto it.
- Do not place the remote control in a location near a heat source, a place subject to direct sunlight, or a damp room.

## Using the CD-ROM manual

The manual can be read on a computer with Adobe Reader installed.

You can download Adobe Reader free from the Adobe website.

- 1 Open the index.html file in the CD-ROM.
- 2 Select and click on the manual that you want to read.

### Note

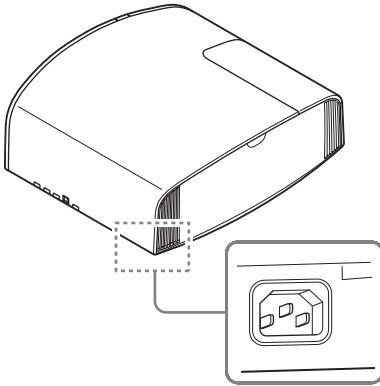
If you have lost or damaged the CD-ROM, you can purchase a new one from your Sony dealer or Sony service counter.

## Step 2

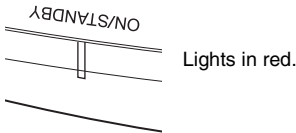
# Installing the Unit

- 1 Position the unit so that the lens is parallel to the screen.
- 2 After connecting the AC power cord to the unit, plug the AC power cord into a wall outlet.

Rear of the unit



Front of the unit

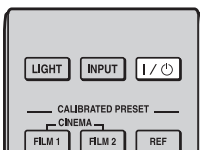


### Note

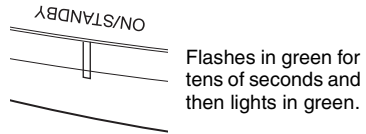
After connecting the AC power cord to the unit, the ON/STANDBY indicator may blink in orange.

You may not be able to control the unit while the indicator is blinking, but this is not a malfunction. Wait until it stops blinking and remains lit in red.

- 3 Press the I/⏻ (ON/STANDBY) button to turn on the unit.

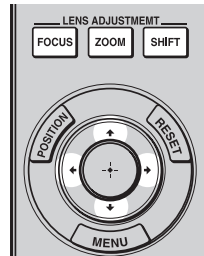


Front of the unit



Flashes in green for tens of seconds and then lights in green.

- 4 Project an image on the screen, then adjust the focus, size, and position.



### 1 Adjust the focus.

Press the LENS ADJUSTMENT (FOCUS) button to display the Lens Focus adjustment window (test pattern). Then adjust the focus of the picture by pressing the  $\uparrow/\downarrow/\leftarrow/\rightarrow$  buttons.

### 2 Adjust the picture size.

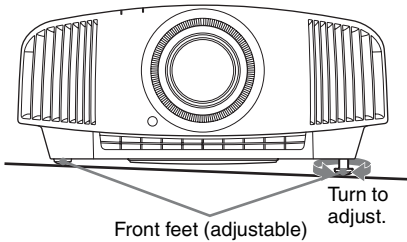
Press the LENS ADJUSTMENT (ZOOM) button to display the Lens Zoom adjustment window (test pattern). Then adjust the size of the picture by pressing the  $\uparrow/\downarrow/\leftarrow/\rightarrow$  buttons.

### 3 Adjust the picture position.

Press the LENS ADJUSTMENT (SHIFT) button to display the Lens Shift adjustment window (test pattern). Then adjust to the proper position of the picture by pressing the  $\uparrow/\downarrow/\leftarrow/\rightarrow$  buttons.

## To adjust the tilt of the installation surface

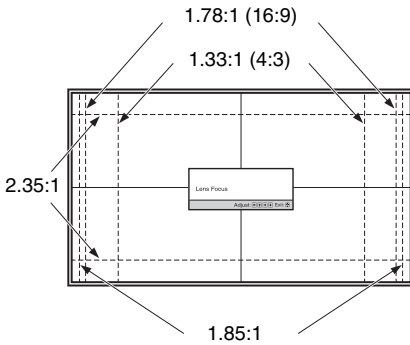
If the unit is installed on an uneven surface, use the front feet (adjustable) to keep the unit level.



### Notes

- If the unit is tilted up or down, the projected image may be trapezoidal.
- Be careful not to catch your finger when turning the front feet (adjustable).

## Lens adjustment window (test pattern)



The dashed lines show the screen sizes of each aspect ratio.

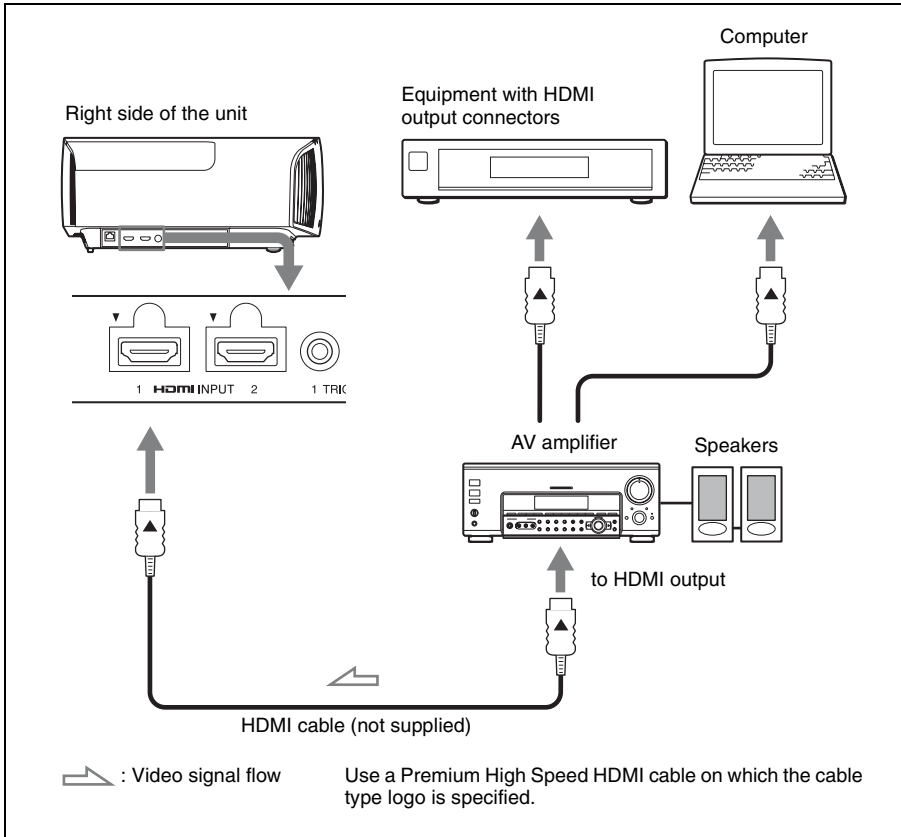
*For more information, refer to "Connections and Preparations" in the Operating Instructions contained in the supplied CD-ROM.*

## Step 3

# Connecting the Unit

### When making connections, be sure to do the following:

- Turn off all equipment before making any connections.
- Use the proper cables for each connection.
- Insert the cable plugs properly; poor connection at the plugs may cause a malfunction or poor picture quality. When pulling out a cable, be sure to pull it out from the plug, not the cable itself.
- Refer to the operating instructions of the connected equipment.



When you monitor and control the projector via the network, access the Setup page of the projector (refer to “Using Network Features” in the Operating Instructions) via a Web browser and enable the desired control protocol.

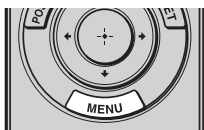
*For more information, refer to “Connections and Preparations” in the Operating Instructions contained in the supplied CD-ROM.*

## Step 4

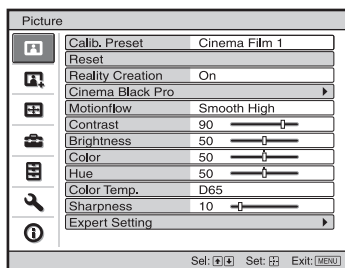
# Selecting the Menu Language


You can select the language for displaying the menu and other on-screen displays. The factory default setting is English. To change the current menu language, set the desired language with the menu screen.

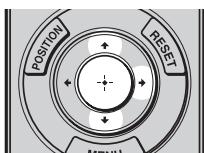
- 1 Press MENU.



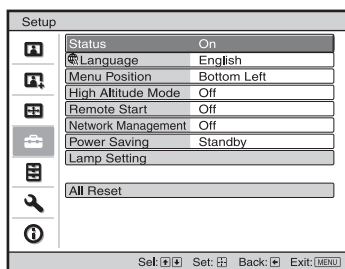
The menu appears.



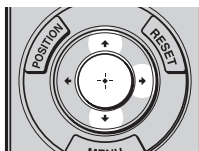
- 2 Press  $\uparrow/\downarrow$  to select the Setup  menu, and press  $\rightarrow$  or  $\odot$ .



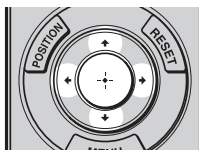
The setting items of the selected menu appear.



- 3 Press  $\uparrow/\downarrow$  to select "Language," and press  $\rightarrow$  or  $\odot$ .



- 4 Press  $\uparrow/\downarrow/\leftarrow/\rightarrow$  to select a language, and press  $\odot$ .

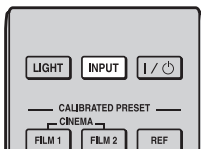


The menu changes to the selected language.

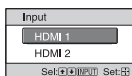
- To clear the menu**  
Press MENU.

## Projecting the Picture

- 1 Turn on both the unit and the equipment connected to the unit.
- 2 Press INPUT to display the input palette on the screen.



- 3 Select the equipment from which you want to display images.  
Press INPUT repeatedly or press **↑/↓/↵** (enter) to select the equipment from which to project.



Example: To view the picture from the video equipment connected to the HDMI 1 connector of this unit.

## Turning Off the Power

- 1 Press the I/⏻ (ON/STANDBY) button.  
A message “POWER OFF?” appears on the screen.
- 2 Press the I/⏻ (ON/STANDBY) button again before the message disappears.  
The ON/STANDBY indicator flashes in green and the fan continues to run to reduce the internal heat.

The fan stops and the ON/STANDBY indicator changes from flashing green to remaining red.

The power is turned off completely, and you can disconnect the AC power cord.

### Note

Never disconnect the AC power cord while the indicator is flashing.

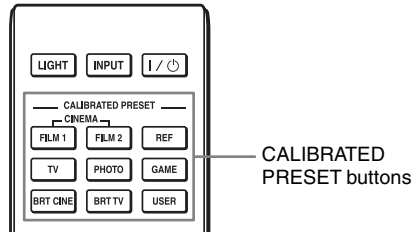
### Tip

You can turn off the unit by holding the I/⏻ (ON/STANDBY) button for about 1 second, instead of performing the above steps.

*For more information, refer to “Projecting” in the Operating Instructions contained in the supplied CD-ROM.*

## Selecting the Picture Viewing Mode

Press one of the CALIBRATED PRESET buttons.



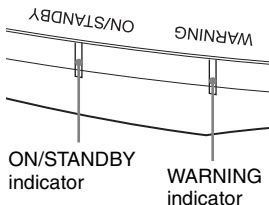
Setting items	Description
CINEMA FILM 1	Picture quality suited to reproducing the highly dynamic and clear images typical of master positive film.
CINEMA FILM 2	Picture quality suited to reproducing the rich tone and color typical of a movie theater, based on the Cinema Film 1.
REF	A picture quality setup suitable for when you want to reproduce faithfully the original image quality, or for enjoying image quality, without any adjustment.
TV	Picture quality suited for watching TV programs, sports, concerts, and other video images.
PHOTO	Ideal for projecting still images taken with a digital camera.
GAME	Picture quality suited to gaming, with well-modulated colors and fast response.
BRT CINE	Picture quality suited for watching movies in a bright environment, such as a living room.
BRT TV	Picture quality suited for watching TV programs, sports, concerts, and other video images in a bright environment, such as a living room.
USER	Adjusts the picture quality to suit your taste then saves the setting. The factory default setting is the same as "REF."

*For more information, refer to "Projecting" in the Operating Instructions contained in the supplied CD-ROM.*

# Error Handling

## Warning Indicators


The ON/STANDBY or WARNING indicator lights up or flashes if there is any trouble with your projector.



Flashing/Lighting indicators	The number of flashes	Cause and Remedy
<p>(Lights in red) (Flashes in red)</p>	<p>Twice</p> <p>Three times</p>	<p>Close the lamp cover securely, then tighten the screws securely.</p> <p>The temperature of lamp is unusually high. Turn off the power and wait for the lamp to cool, then turn on the power again. If the symptom persists, the lamp may be at the end of its service life. In this case, replace the lamp with a new one.</p>
<p>(Flashes in red) (Flashes in red) Both indicators flash</p>	<p>Twice</p> <p>Three times</p>	<p>The internal temperature is unusually high. Check to ensure that if nothing is blocking the ventilation holes or whether or not the unit is being used at high altitudes.</p> <p>The fan is broken. Consult with qualified Sony personnel.</p>

### Note

If the symptom persists even after carrying out the above methods, consult with qualified Sony personnel.

If the indicator starts flashing in a way of other than the above, turn off, and then turn on the power with the  (On/Standby) button on the remote control or control panel of the unit.

If the symptom is shown again, consult with qualified Sony personnel.

*If there is any problem or an error message appears on the screen, refer to “Error Handling” in the Operating Instructions contained in the supplied CD-ROM.*



# Maintenance

The lamp used for the light source has a certain lifespan. When the lamp dims, the color balance of the picture becomes strange, or “Please replace the Lamp.” appears on the screen, the lamp may be exhausted. Replace the lamp with a new one (not supplied) without delay.

## Tip

The lifespan of the lamp used for the light source changes depending on the installation environment or use conditions. You can use the lamp longer by avoiding turning the lamp off until several minutes pass after turning the lamp on.

## Tools you need to get started:

- Projector Lamp LMP-H280 (Optional)
- Standard Phillips screwdriver
- Cloth (for scratch protection)

## Caution

- The lamp remains hot after the unit is turned off with the I/⏻ (ON/STANDBY) button. If you touch the lamp, you may burn your fingers. When you replace the lamp, wait for at least 1 hour for the lamp to cool.
- Do not touch the surface of the lamp. If you touch it, wipe off the fingerprints with a soft cloth.
- Pay special attention to replacing the lamp when the unit is installed on the ceiling.
- When replacing the lamp of a unit which is on the ceiling, do not stand directly under the lamp cover. When removing the lamp door (inner cover), avoid twisting it. If the lamp explodes, fragments may cause injury.
- When removing the lamp unit, make sure it remains horizontal, then pull straight up. Do not tilt the lamp unit. If you pull out the lamp unit while tilted and if the lamp breaks, the pieces may scatter, causing injury.

## Notes

- Be sure to use a specified projector lamp for the replacement. If you use lamps other than the specified projector lamp, the unit may malfunction.


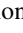
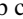
- Be sure to turn off the unit and unplug the power cord before replacing the lamp, then check the ON/STANDBY indicator has already been turned off.

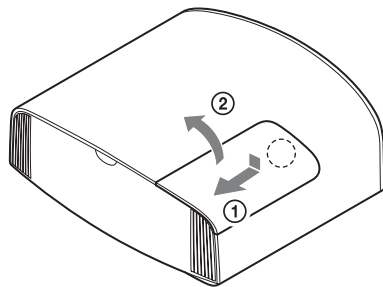
## Replacing the Lamp

- 1 Turn off the unit and unplug the AC power cord.
- 2 When setting the unit on a flat surface such as a desk etc., put a cloth to prevent the surface from being scratched. Place the unit on the cloth.

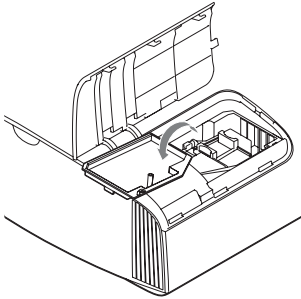
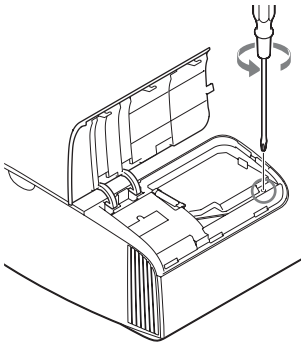
### Note

Be sure that the unit is placed on a stable surface.

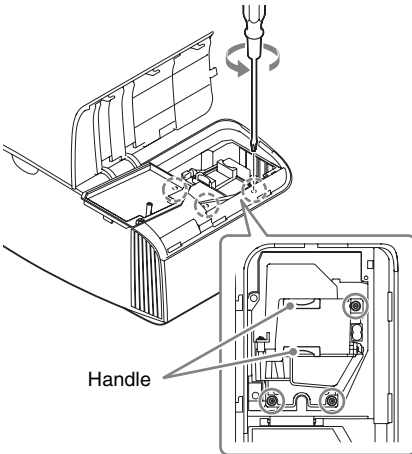
- 3 While pressing the  part indicated in the lamp cover illustration, slide  and then open  the lamp cover.



- 4 Loosen the lamp door (inner cover) screw with a Phillips screwdriver, and then open the lamp door.



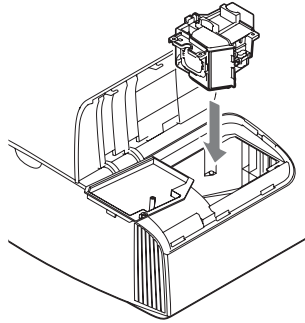
- 5** Loosen the 3 screws on the lamp with the Phillips screwdriver. Hold up the handle, then pull the lamp straight out.



**Notes**

- Do not loosen other screws except the 3 specified screws.
- Hold the lamp by the handle to remove and attach it.

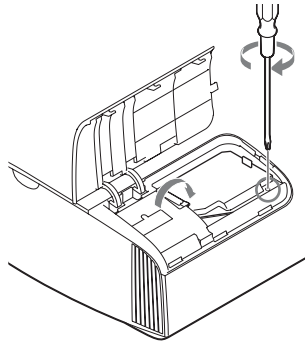
- 6** Push in the new lamp by the handle securely until it reaches the end, and then tighten the 3 screws.



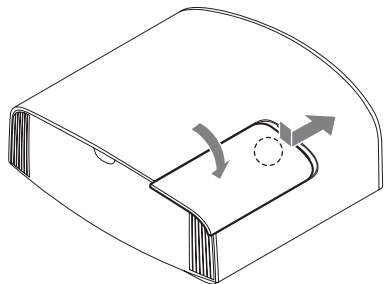
**Note**

Be careful not to touch the optical block inside the unit.

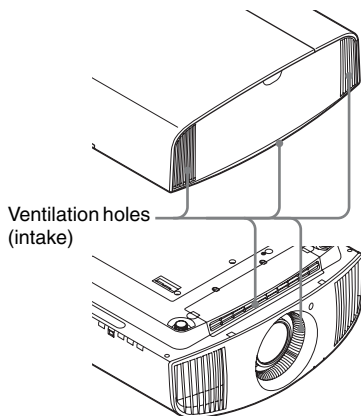
- 7** Close the lamp door (inner cover), and then tighten the screw.



- 8** Close the lamp cover.



- 9 Wipe dust off the ventilation holes (intake) with a soft cloth.

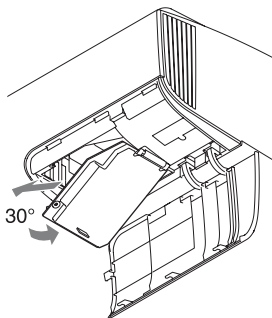



- The unit will not turn on unless the lamp cover are securely closed.
- To clear a message displayed on the screen, press any button either on the remote control or the control panel of the unit once.

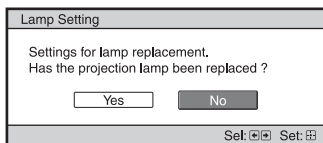
**Note on replacing the lamp when broken, in the case of a ceiling installation**

If the lamp breaks, broken lamp pieces may scatter and cause injury.

When the unit is on the ceiling, remove the lamp door (inner cover) by sliding it horizontally slowly after raising it with 30 degree opened. Avoid twisting the lamp door (inner cover).



- 10 Turn on the unit, then select the lamp setting item on the Setup  menu. The menu screen below will be appeared.



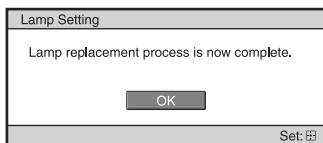
**Tip**

If “Settings Lock” is set to “Level B,” set to “Off” once.

**Note**


The lamp contains mercury. The disposal rules for used fluorescent tubes depend on where you live. Follow the waste disposal policy in your area.

- 11 Select “Yes.”



**Disposal of the used lamp**

**For the customers in the U.S.A. and Canada**

 Lamp in this product contains mercury. Dispose according to applicable local, state/province and federal laws.

For additional information, see [www.sony.com/mercury](http://www.sony.com/mercury)

**Caution**

Do not put your hands into the lamp replacement slot, and do not allow any liquid or other objects into the slot to avoid electrical shock or fire.

**Notes**

- The unit will not turn on unless the lamp is securely installed in place.

# A propos du Guide de référence rapide

Ce Guide de référence rapide décrit l'installation et les procédures de base de projection des images. Vous y trouverez également des mises en garde et des remarques importantes qu'il convient de respecter au cours de la manipulation et de l'utilisation de cet appareil. Reportez-vous à « Indicateurs d'avertissement » et « Remplacement de la lampe », le cas échéant.

Pour plus d'informations sur l'utilisation, reportez-vous au Mode d'emploi que vous trouverez sur le CD-ROM fourni.

## Etape 1

**Préparation .....Page 8**

## Etape 2

**Installation de l'appareil .....Page 9**

## Etape 3

**Raccordement de l'appareil.....Page 11**

## Etape 4

**Sélection de la langue du menu ....Page 12**

## Etape 5

**Projection.....Page 13**

---

## Gestion des erreurs

**Indicateurs d'avertissement .....Page 15**

## Entretien

**Remplacement de la lampe.....Page 16**

Avant d'utiliser l'appareil, veuillez lire attentivement ce manuel et le conserver pour future référence.

N'utilisez pas ce produit à des fins autres que celles décrites dans le manuel d'instructions.

## AVERTISSEMENT

**Afin de réduire les risques d'incendie ou d'électrocution, ne pas exposer cet appareil à la pluie ou à l'humidité. Afin d'écartier tout risque d'électrocution, garder le coffret fermé. Ne confier l'entretien de l'appareil qu'à un personnel qualifié.**

### AVERTISSEMENT

**Cet appareil doit être relié à la terre.**

### AVERTISSEMENT

Lors de l'installation de l'appareil, incorporer un dispositif de coupure dans le câblage fixe ou brancher la fiche d'alimentation dans une prise murale facilement accessible proche de l'appareil. En cas de problème lors du fonctionnement de l'appareil, enclencher le dispositif de coupure d'alimentation ou débrancher la fiche d'alimentation.

### ATTENTION

Par mesure de sécurité, ne raccordez pas le connecteur pour le câblage de périphériques pouvant avoir une tension excessive au port suivant :  
connecteur LAN

### AVERTISSEMENT

1. Utilisez un cordon d'alimentation (câble secteur à 3 fils)/fiche femelle/fiche mâle avec des contacts de mise à la terre conformes à la réglementation de sécurité locale applicable.
2. Utilisez un cordon d'alimentation (câble secteur à 3 fils)/fiche femelle/fiche mâle avec des caractéristiques nominales (tension, ampérage) appropriées.

Pour toute question sur l'utilisation du cordon d'alimentation/fiche femelle/fiche mâle ci-dessus, consultez un technicien du service après-vente qualifié.

### ATTENTION

- Il y a danger d'explosion s'il y a un remplacement incorrect de la batterie. Remplacer uniquement avec une batterie du même type ou d'un type équivalent recommandé par le constructeur.
- Lors de la mise au rebut de la batterie ou du produit, vous devez respecter la loi de la région ou du pays concerné. Ne mettez pas la batterie ou le produit au rebut dans un feu ou un four chaud, ou n'écrasez pas mécaniquement la batterie et ne la coupez pas. Elle risque d'exploser ou de provoquer un incendie. Ne soumettez pas la batterie à une pression d'air extrêmement basse qui pourrait entraîner une explosion ou une fuite de liquide ou de gaz inflammable.
- Ne placez pas la batterie dans un endroit à température élevée, tel qu'à la lumière directe du soleil ou à proximité d'un feu. Elle risque de prendre feu, d'exploser ou de provoquer un incendie. Ne plongez pas et ne mouillez pas la batterie dans de l'eau douce ou de l'eau de mer. Cela risque de provoquer une électrocution.

### ATTENTION

La taille et le nombre de piles suivants sont requis pour la télécommande.

- Format AA (R6)
- Deux

Pour éviter tout risque d'explosion, utilisez uniquement le type de pile suivant.

- Des piles de format AA (R6) au manganèse ou alcalines

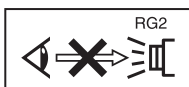
### À propos des lunettes 3D

Les lunettes 3D affichent des signaux 3D en communiquant avec le projecteur via la technologie Bluetooth.

a) bandes de fréquences utilisées par l'équipement radioélectrique:

2.4 - 2.4835 GHz

b) puissance de radiofréquence maximale transmise sur les bandes de fréquences utilisées par l'équipement radioélectrique: 4.30 dBm (E.I.R.P.)



Comme pour n'importe quelle source de lumière vive, ne regardez pas fixement le faisceau, RG2 IEC 62471-5: 2015.

### Pour les clients au Canada

Le présent appareil est conforme aux CNR d'Industrie Canada applicables aux appareils radio exempts de licence. L'exploitation est autorisée aux deux conditions suivantes :

- (1) l'appareil ne doit pas produire de brouillage;
- (2) l'utilisateur de l'appareil doit accepter tout brouillage radioélectrique subi, même si le brouillage est susceptible d'en compromettre le fonctionnement.

### Déclaration d'exposition aux radiations:

Le produit est conforme aux limites d'exposition pour les appareils portables RF pour les Etats-Unis et le Canada établies pour un environnement non contrôlé. Le produit est sûr pour un fonctionnement tel que décrit dans ce manuel. La réduction aux expositions RF peut être augmentée si l'appareil peut être conservé aussi loin que possible du corps de l'utilisateur ou que le dispositif est réglé sur la puissance de sortie la plus faible si une telle fonction est disponible.

### Pour les clients au Canada

CAN ICES-3 (B)/NMB-3(B)

#### Pour les clients au Canada

#### **GARANTIE LIMITÉE DE SONY** -

Rendez-vous sur <http://www.sonybiz.ca/pro/lang/en/ca/article/resources-warranty> pour obtenir les informations importantes et l'ensemble des termes et conditions de la garantie limitée de Sony applicable à ce produit.

## Précautions

### Sécurité

- S'assurer que la tension de service de votre projecteur est identique à la tension locale.
- Si du liquide ou un objet quelconque venait à pénétrer dans le boîtier, débrancher le projecteur et le faire vérifier par un technicien qualifié avant la remise en service.
- Débrancher le projecteur de la prise murale en cas de non-utilisation pendant plusieurs jours.
- Pour débrancher le cordon, le tirer par la fiche. Ne jamais tirer sur le cordon lui-même.
- La prise murale doit se trouver à proximité du projecteur et être facile d'accès.
- Le projecteur n'est pas déconnecté de la source d'alimentation tant qu'il reste branché à la prise murale, même s'il a été mis hors tension.
- Ne pas regarder dans l'objectif lorsque la lampe est allumée.
- Ne pas placer la main ou des objets à proximité des orifices de ventilation. L'air expulsé est brûlant.

### Prévenir l'accumulation de chaleur interne

Après avoir mis l'appareil hors tension au moyen du bouton I/⏻ (marche/veille), ne pas le débrancher de la prise murale tant que le ventilateur de refroidissement tourne.

### Mise en garde

Cet appareil est doté d'orifices de ventilation (prise d'air et sortie d'air). Ne pas obstruer ces orifices et ne rien placer à proximité car ceci risquerait de provoquer une surchauffe interne pouvant entraîner une altération de l'image ou un endommagement de l'appareil.

### Remballage

Conservé le carton d'emballage original et le matériel d'emballage ; ils seront très utiles si l'on doit un jour expédier l'appareil. Pour

assurer une protection maximale, remballer l'appareil tel qu'il avait été emballé en usine.

---

## A propos du visionnage d'images vidéo 3D

### Consignes de sécurité

- Vous devez seulement porter les lunettes 3D pour regarder des images vidéo 3D.
- Si vous observez des scintillements ou des éclairs, éteignez l'éclairage.
- Cet appareil n'est pas destiné à être utilisé par des enfants sans la surveillance d'un adulte.
- Veillez à ne pas vous pincer les doigts dans les charnières des lunettes 3D lorsque vous repliez les branches.
- Ne laissez pas tomber ou ne modifiez pas ces lunettes 3D.
- Si ces lunettes sont cassées, éloignez les débris de la bouche ou des yeux.

---

## Projecteur LCD

Le projecteur LCD est fabriqué au moyen d'une technologie de haute précision. Il se peut toutefois que vous constatiez que de petits points noirs et/ou lumineux (rouges, bleus ou verts) apparaissent continuellement sur le projecteur LCD. Ceci est un résultat normal du processus de fabrication et n'est pas le signe d'un dysfonctionnement.

Si vous utilisez plusieurs projecteurs LCD pour projeter sur un écran, la reproduction des couleurs peut varier selon les projecteurs, même s'ils sont du même modèle. Ceci est dû au fait que l'équilibre des couleurs peut être réglé différemment sur les projecteurs.

---

## Remarque concernant la condensation

Si la pièce dans laquelle le projecteur est installé subit de brusques changements de températures ou si vous déplacez le projecteur d'un endroit froid à un endroit chaud, de la condensation peut se former à l'intérieur du projecteur. Étant donné que la condensation peut provoquer un dysfonctionnement, réglez la température de votre climatiseur avec précaution. Si de la condensation se forme, laissez le projecteur

allumé pendant deux heures avant de l'utiliser.

---

## Remarques sur la sécurité

- **Sony ne peut être tenue responsable de tout dommage, de quelque nature que ce soit, résultant d'une incapacité à mettre en place des mesures de sécurité adaptées pour les dispositifs de transmission, de fuites de données inévitables dues aux spécifications de transmission ou de tout autre problème de sécurité.**
- Selon l'environnement d'exploitation, il est possible que des tiers non autorisés sur le réseau puissent accéder à l'appareil. Avant de connecter l'appareil au réseau, vérifiez que le réseau est bien protégé.
- Pour des raisons de sécurité, lors de l'utilisation de cet appareil connecté au réseau, il est fortement recommandé d'accéder à la fenêtre de commande via un navigateur Web et de modifier la limitation d'accès des valeurs d'usine préréglées (reportez-vous à la section « Utilisation des fonctionnalités réseau » du Mode d'emploi).  
Il est par ailleurs recommandé de modifier régulièrement le mot de passe.
- Ne consultez aucun autre site Web dans le navigateur Web pendant ou après la configuration. Étant donné que l'état de connexion est conservé dans le navigateur Web, fermez ce dernier lorsque la configuration est terminée pour empêcher tout tiers non autorisé d'utiliser l'appareil ou d'exécuter des programmes malveillants.

---

## Ne placez pas ce produit près d'appareils médicaux

Ce produit (y compris les accessoires) comporte un ou des aimants qui peuvent perturber les stimulateurs cardiaques, les valves de dérivation programmables pour le traitement de l'hydrocéphalie ou d'autres appareils médicaux. Ne placez pas ce produit près de personnes utilisant ce type d'appareil médical. Consultez votre médecin avant d'utiliser ce produit si vous utilisez ce type d'appareil médical.

SONY NE PEUT ÊTRE TENUE RESPONSABLE DE TOUT DOMMAGE, DE QUELQUE NATURE QUE CE SOIT, RÉSULTANT DE L'UTILISATION DE CET APPAREIL À D'AUTRES FINS QU'UN USAGE DOMESTIQUE ORDINAIRE PENDANT LA PÉRIODE DE GARANTIE OU APRÈS L'EXPIRATION DE CELLE-CI.

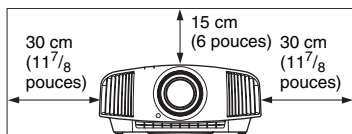
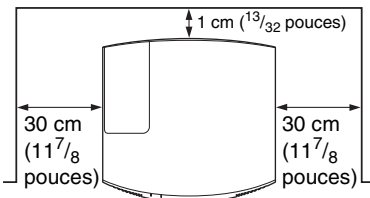
## Remarques sur l'installation et l'utilisation

### Installation déconseillée

Ne pas placer l'appareil dans les positions suivantes, ce qui risquerait de provoquer un dysfonctionnement ou des dommages.

#### Murs proches

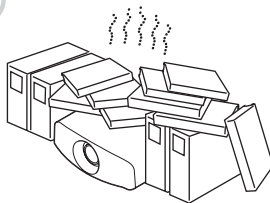
Afin de maintenir les performances et la fiabilité de l'appareil, laisser un dégagement entre les murs et l'appareil tel qu'illustré.



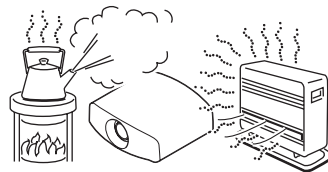
Les flux d'air des climatiseurs ou des orifices de ventilation de cet appareil, ou d'autres, peuvent faire osciller l'écran. Veillez à ne pas installer cet appareil dans un endroit où sa face avant risque d'être soumise aux flux d'air des climatiseurs ou des orifices de ventilation de ces autres appareils.

#### Mauvaise ventilation

Laisser un dégagement de plus de 30 cm (11 7/8 pouces) autour de l'appareil.

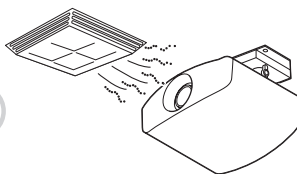


#### Endroits chauds et humides



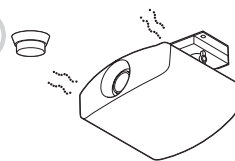
#### Endroits directement exposés au souffle froid ou chaud d'un climatiseur

L'installation de l'appareil dans de tels endroits pourrait provoquer un dysfonctionnement sous l'effet de la condensation d'humidité ou de l'élévation de température.



#### Proximité d'un détecteur de chaleur ou de fumée

Il pourrait en résulter un dysfonctionnement du capteur.





## Endroits très poussiéreux ou enfumés



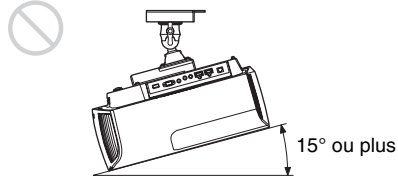
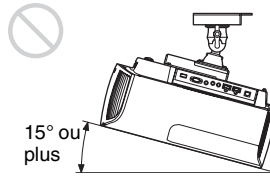
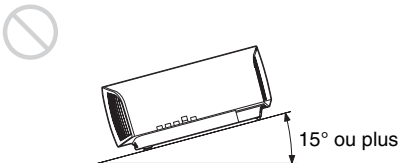
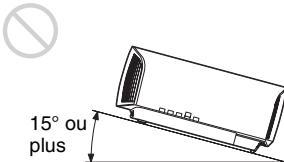
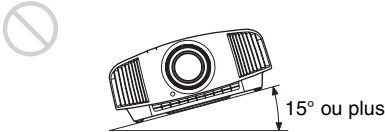
## Conditions inappropriées

Éviter ce qui suit pendant l'utilisation de l'appareil.

### Inclinaison vers l'avant/arrière et vers la gauche/droite

Éviter d'incliner l'appareil à un angle supérieur à 15 degrés pour l'utiliser. Ne pas installer l'appareil ailleurs que sur une surface de niveau ou au plafond. L'installation de l'appareil dans un tel emplacement peut affecter l'uniformité des couleurs ou réduire la fiabilité des effets de la lampe.

Si l'appareil est incliné vers le haut ou le bas, l'image à l'écran peut être trapézoïdale. Positionner l'appareil de façon à ce que l'objectif soit parallèle à l'écran.



### Lors de l'installation de l'appareil à haute altitude

Lorsque vous utilisez l'appareil à une altitude de 1 500 m (environ 4 900 pi) ou plus, réglez « Mode haute altit. » dans le menu Réglage sur « On ». Si vous n'activez pas ce mode lors d'une utilisation à haute altitude, ceci pourra affecter le projecteur (diminution de la fiabilité de certaines pièces, par exemple).

## Précautions de sécurité relatives à l'installation de l'appareil au plafond

- N'installez jamais le projecteur au plafond et ne le déplacez jamais par vos propres moyens. Veillez à vous adresser à un technicien Sony agréé (service payant).
- Lorsque vous installez l'appareil au plafond, veillez à utiliser un fil de sécurité, par exemple, pour l'empêcher de tomber. Confiez l'installation à un professionnel ou à un installateur expérimenté.

### Pour les revendeurs

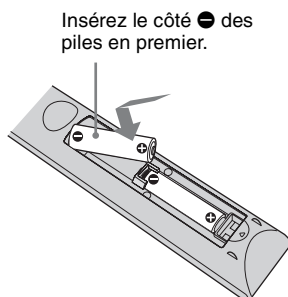
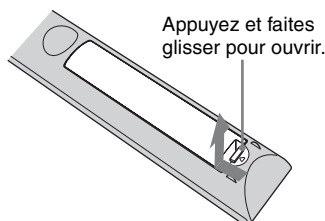
- Quand le projecteur est fixé au plafond, un support Sony ou un support équivalent recommandé doit être utilisé pour l'installation.
- Vous devez fermer le couvercle du cabinet solidement lors de l'installation au plafond.

## Vérification des accessoires fournis

Vérifiez si le carton renferme bien tous les éléments suivants :

- Télécommande RM-PJ24 (1)
- Piles au manganèse AA (R6) (2)
- Capuchon d'objectif (1)  
Au moment de l'achat, un capuchon recouvre l'objectif du projecteur. Retirez le capuchon d'objectif avant d'utiliser le projecteur.
- Cordon d'alimentation secteur (1)
- Guide de référence rapide (ce manuel) (1)
- Mode d'emploi (CD-ROM) (1)

## Insertion des piles dans la télécommande



## Précautions relatives à la manipulation de la télécommande

- Manipulez la télécommande avec précautions. Ne renversez aucun liquide sur la télécommande, ne la laissez pas tomber et ne marchez pas dessus.

- Ne placez pas la télécommande à proximité d'une source de chaleur, dans un endroit exposé aux rayons directs du soleil ou dans une pièce humide.

## Utilisation du manuel sur CD-ROM

Vous devez installer Adobe Reader sur votre ordinateur pour pouvoir lire ce manuel. Vous pouvez télécharger Adobe Reader gratuitement depuis le site Web d'Adobe.

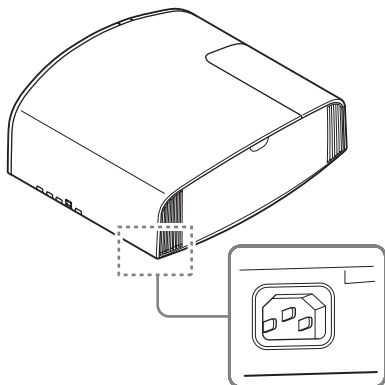
- 1 Ouvrez le fichier index.htm situé sur le CD-ROM.
- 2 Sélectionnez le manuel que vous souhaitez lire, puis cliquez sur ce dernier.

### Remarque

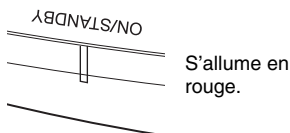
Si vous avez perdu ou endommagé le CD-ROM, vous pouvez acheter un CD-ROM de remplacement auprès de votre représentant Sony ou du service clientèle Sony.

- 1 Positionnez l'appareil de façon à ce que l'objectif soit parallèle à l'écran.
- 2 Après avoir branché le cordon d'alimentation à l'appareil, branchez le cordon d'alimentation secteur à une prise murale.

Arrière de l'appareil



Avant de l'appareil

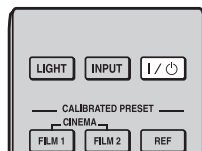


### Remarque

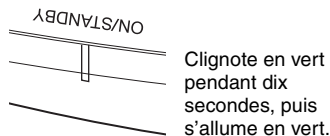
Une fois le cordon d'alimentation secteur raccordé à l'unité, l'indicateur ON/STANDBY peut clignoter en orange.

Vous ne pourrez peut-être pas commander l'unité pendant que l'indicateur clignote, mais ce n'est pas un dysfonctionnement. Attendez que l'indicateur cesse de clignoter et devienne rouge fixe.

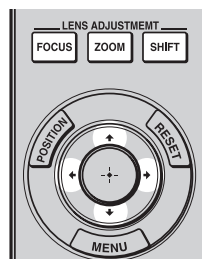
- 3 Appuyez sur le bouton I/⏻ (ON/STANDBY) pour mettre l'appareil sous tension.



Avant de l'appareil



- 4 Projetez une image sur l'écran, puis réglez la mise au point, la taille et la position.



### 1 Réglez la mise au point.

Appuyez sur le bouton LENS ADJUSTMENT (FOCUS) pour afficher la fenêtre de réglage Focus d'objectif (mire d'essai). Réglez ensuite la mise au point de l'image en appuyant sur les boutons  $\uparrow/\downarrow/\leftarrow/\rightarrow$ .

### 2 Réglez la taille de l'image.

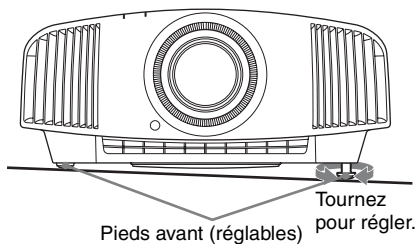
Appuyez sur le bouton LENS ADJUSTMENT (ZOOM) pour afficher la fenêtre de réglage Zoom d'objectif (mire d'essai). Réglez ensuite la taille de l'image en appuyant sur les boutons  $\uparrow/\downarrow/\leftarrow/\rightarrow$ .

### ③ Réglez la position de l'image.

Appuyez sur le bouton LENS ADJUSTMENT (SHIFT) pour afficher la fenêtre de réglage Déplac. objectif (mire d'essai). Réglez ensuite la position correcte de l'image en appuyant sur les boutons  $\uparrow/\downarrow/\leftarrow/\rightarrow$ .

#### Pour régler l'inclinaison par rapport à la surface d'installation

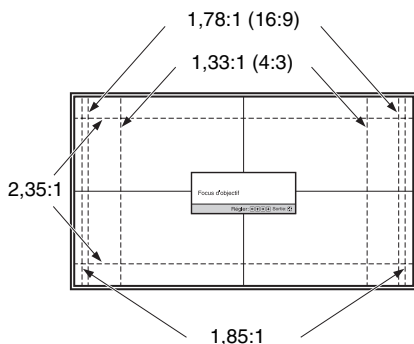
Si vous installez l'appareil sur une surface inégale, utilisez les pieds avant (réglables) pour maintenir l'appareil à l'horizontale.



#### Remarques

- Si l'appareil est incliné vers le haut ou le bas, l'image projetée peut être trapézoïdale.
- Veillez à ne pas vous coincer les doigts lorsque vous faites pivoter les pieds avant (réglables).

#### Fenêtre de réglage de l'objectif (mire d'essai)

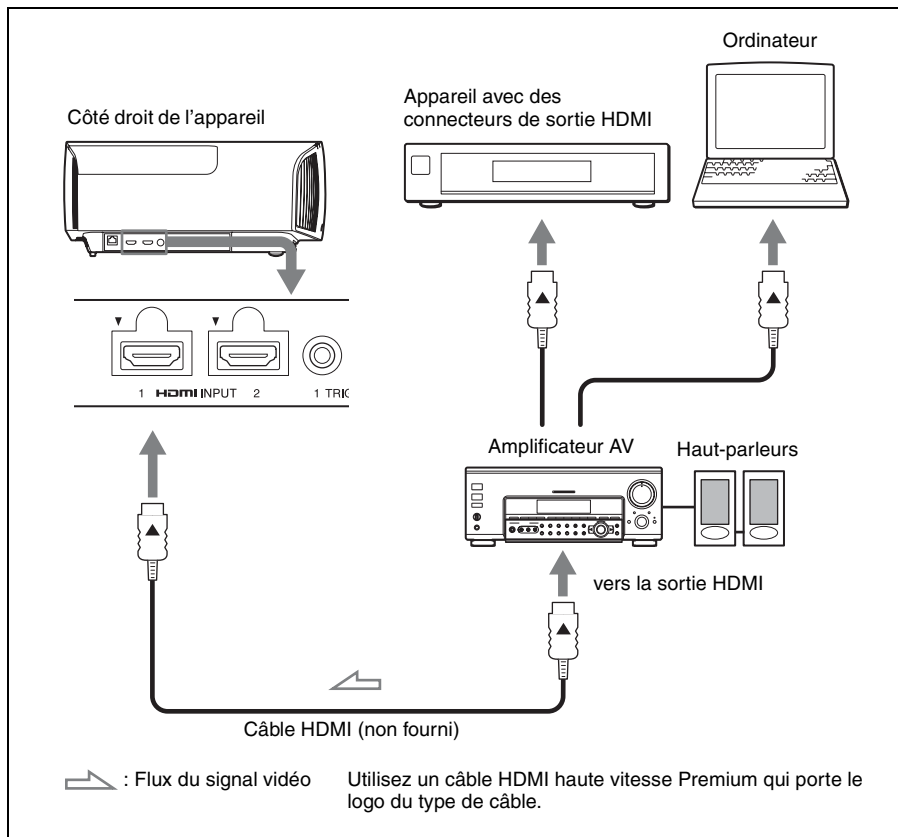


Les lignes pointillées indiquent les tailles d'écran de chaque rapport de format.

*Pour plus d'informations reportez-vous à « Raccordements et préparatifs » dans le Mode d'emploi que vous trouverez sur le CD-ROM fourni.*

**Lors de l'exécution des raccordements, vous devez procéder comme suit :**

- Mettez tous les appareils hors tension avant tout raccordement.
- Utilisez les câbles appropriés pour chaque raccordement.
- Insérez correctement les fiches de câble ; le mauvais raccordement des fiches peut entraîner un dysfonctionnement ou une piètre qualité d'image. Débranchez les câbles en les tenant par leur fiche. Ne tirez pas sur le câble proprement dit.
- Reportez-vous au mode d'emploi de l'appareil à raccorder.

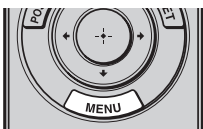


Pour surveiller et commander le projecteur via le réseau, accédez à la page Setup du projecteur (reportez-vous à la section « Utilisation des fonctionnalités réseau » du Mode d'emploi) via un navigateur Web et activez le protocole de contrôle souhaité.

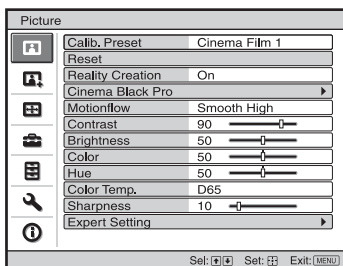
*Pour plus d'informations reportez-vous à « Raccordements et préparatifs » dans le Mode d'emploi que vous trouverez sur le CD-ROM fourni.*

Vous pouvez sélectionner la langue d'affichage du menu et d'autres affichages à l'écran. Le réglage en usine par défaut est l'anglais. Pour changer la langue actuelle du menu, choisissez la langue désirée grâce à l'écran de menu.

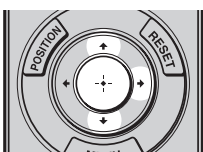
## 1 Appuyer sur MENU.



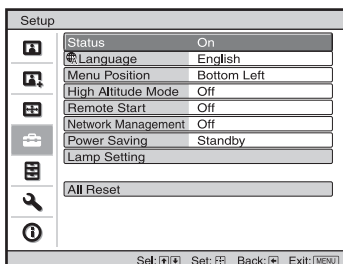
Le menu apparaît.



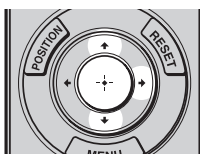
## 2 Appuyer sur $\uparrow/\downarrow$ pour sélectionner le menu Setup, puis appuyer sur $\rightarrow$ ou $\odot$ .



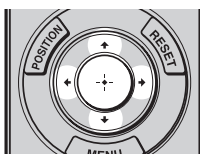
Les options de réglage du menu sélectionné apparaissent.



## 3 Appuyer sur $\uparrow/\downarrow$ pour sélectionner « Language », puis appuyer sur $\rightarrow$ ou $\odot$ .



## 4 Appuyer sur $\uparrow/\downarrow/\leftarrow/\rightarrow$ pour sélectionner une langue, puis appuyer sur $\odot$ .

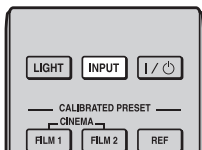


La langue du menu devient celle que vous avez sélectionnée.

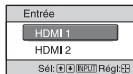
**Pour faire disparaître le menu**  
Appuyer sur MENU.

## Projection de l'image

- 1 Mettez sous tension cet appareil et l'appareil qui y est raccordé.
- 2 Appuyez sur INPUT pour afficher la palette d'entrée sur l'écran.



- 3 Sélectionnez le périphérique à partir duquel vous voulez afficher les images.  
Appuyez plusieurs fois sur INPUT ou sur  $\uparrow/\downarrow/\oplus$  (entrée) pour sélectionner le périphérique à utiliser pour la projection.



Exemple : Pour afficher l'image provenant de l'équipement vidéo raccordé au connecteur HDMI 1 de cet appareil.

## Mise hors tension

- 1 Appuyez sur le bouton I/ON (ON/STANDBY).  
Le message « METTRE HORS TENSION? » apparaît sur l'écran.
- 2 Appuyez une nouvelle fois sur le bouton I/ON (ON/STANDBY) avant que le message disparaisse.  
L'indicateur ON/STANDBY clignote en vert et le ventilateur continue à tourner pour abaisser la température interne.

Le ventilateur s'arrête et l'indicateur ON/STANDBY cesse de clignoter en vert pour briller en rouge.

L'alimentation s'arrête complètement et vous pouvez débrancher le cordon d'alimentation.

### Remarque

Ne jamais débrancher le cordon d'alimentation lorsque l'indicateur clignote.

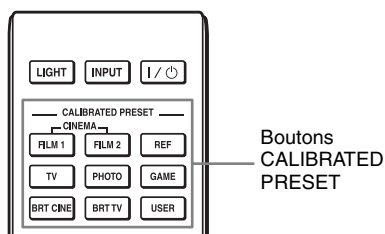
### Conseil

Vous pouvez mettre l'appareil hors tension en maintenant le bouton I/ON (ON/STANDBY) enfoncé pendant 1 seconde environ, plutôt qu'en suivant les étapes ci-dessus.

*Pour plus d'informations reportez-vous à « Projection » dans le Mode d'emploi que vous trouverez sur le CD-ROM fourni.*

## Sélection du mode d'affichage de l'image

Appuyez sur un des boutons  
CALIBRATED PRESET.



Paramètres	Description
CINEMA FILM 1	Qualité d'image adaptée à la reproduction d'images hautement dynamiques et nettes, typiques d'un chef-d'œuvre du cinéma.
CINEMA FILM 2	Qualité d'image adaptée à la reproduction de tons riches et de couleurs dignes du cinéma, en fonction de Cinéma Film 1.
REF	Configuration de qualité d'image appropriée lorsque vous souhaitez reproduire fidèlement la qualité d'image d'origine ou pour profiter de la qualité d'image sans aucun réglage.
TV	Qualité d'image adéquate pour regarder des programmes TV, du sport, des concerts et d'autres images vidéo.
PHOTO	Idéal pour la projection d'images fixes provenant d'un appareil photo numérique.
GAME	Qualité d'image adaptée aux jeux, avec des couleurs bien modulées et une réponse rapide.
BRT CINE	Qualité d'image adéquate pour regarder les films dans un environnement lumineux, comme un séjour.
BRT TV	Qualité d'image adéquate pour regarder des programmes TV, du sport, des concerts et d'autres images vidéo dans un environnement lumineux, comme un séjour.
USER	Règle la qualité de l'image en fonction de votre goût, puis enregistre le paramètre. Le réglage en usine par défaut est identique à « REF ».

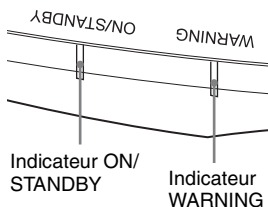
*Pour plus d'informations reportez-vous à « Projection » dans le Mode d'emploi que vous trouverez sur le CD-ROM fourni.*



# Gestion des erreurs

## Indicateurs d'avertissement

L'indicateur ON/STANDBY ou WARNING s'allume ou clignote en cas de problème quelconque sur le projecteur.



Clignotement/Éclairage des indicateurs	Le nombre de clignotements	Cause et remède
<p>(Indicateurs en rouge) (Clignote en rouge)</p>	Deux fois Trois fois	Fermez bien le couvercle de la lampe, puis vissez-le solidement. La température de la lampe est anormalement élevée. Mettez hors tension et attendez que la lampe se refroidisse, puis remettez sous tension. Si ce symptôme persiste, la lampe a peut-être atteint la fin de sa durée de service. Dans ce cas, remplacez la lampe par une neuve.
<p>(Clignote en rouge) (Clignote en rouge) Les deux indicateurs clignent</p>	Deux fois Trois fois	La température à l'intérieur du projecteur est anormalement élevée. Assurez-vous que rien ne colmate les orifices de ventilation et que l'appareil n'est pas utilisé à haute altitude. Le ventilateur est défectueux. Consultez le service après-vente Sony.

### Remarque

Si le symptôme persiste même après avoir suivi les méthodes décrites ci-dessus, consultez le service après-vente Sony.

Si l'indicateur se met à clignoter d'une manière qui n'est pas décrite ci-dessus, éteignez et rallumez l'appareil en appuyant sur le bouton (Marche/Veille) de la télécommande ou du panneau de commande de l'appareil.

Si le symptôme s'affiche toujours, consultez le service après-vente Sony personnel.

*En cas de problème ou si un message d'erreur apparaît à l'écran, reportez-vous à « Gestion des erreurs » dans le Mode d'emploi que vous trouverez sur le CD-ROM fourni.*

La durée de service de la lampe utilisée comme source de lumière est limitée. Lorsque la lampe faiblit, la balance des couleurs de l'image devient bizarre, ou « Remplacer la lampe. » apparaît sur l'écran et la lampe est peut-être épuisée. Remplacez la lampe par une neuve (non fournie) sans tarder.

## Conseil

La durée de vie de la lampe utilisée pour la source lumineuse varie selon l'environnement d'installation ou les conditions d'utilisation. Vous pouvez utiliser la lampe plus longtemps en patientant plusieurs minutes avant de l'éteindre, si vous venez juste de l'allumer.

## Voici les outils dont vous avez besoin pour commencer :

- Lampe pour projecteur LMP-H280 (en option)
- Un tournevis cruciforme standard
- Un chiffon (pour protéger des éraflures)

## Mise en garde

- La lampe reste chaude après la mise hors tension de l'appareil avec le bouton I/⏻ (ON/STANDBY). Ne la touchez pas, car vous pourriez vous brûler les doigts. Avant de remplacer la lampe, attendez au moins 1 heure pour lui permettre de refroidir.
- Ne touchez pas la surface de la lampe. Si vous la touchez, essuyez les empreintes digitales avec un chiffon doux.
- Prêtez une attention spéciale au remplacement de la lampe lorsque l'appareil est installé au plafond.
- Lors du remplacement de la lampe d'un appareil installé au plafond, ne vous tenez pas directement sous le couvercle de la lampe. Lorsque vous retirez le couvercle de la lampe (couvercle intérieur), évitez de le tordre. Si la lampe explose, les fragments peuvent provoquer des blessures.
- Lorsque vous retirez la lampe, assurez-vous qu'elle reste en position horizontale, puis soulevez-la directement vers le haut. N'inclinez pas la lampe. Si vous retirez la lampe alors qu'elle est inclinée et si elle se

casse, des morceaux peuvent s'éparpiller et entraîner des blessures.

## Remarques




- Veillez à remplacer la lampe par la lampe pour projecteur spécifiée. Si une lampe autre que la lampe pour projecteur spécifiée est utilisée, l'appareil risque de ne pas fonctionner correctement.
- Mettez l'appareil hors tension et débranchez le cordon d'alimentation secteur avant de remplacer la lampe, puis vérifiez que l'indicateur ON/STANDBY a déjà été éteint.

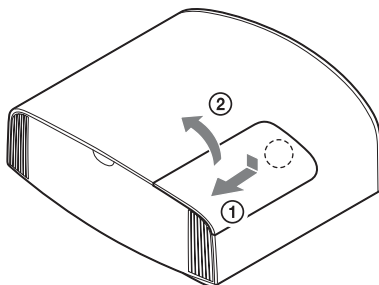
## Remplacement de la lampe

- 1 Mettez l'appareil hors tension et débranchez le cordon d'alimentation secteur.
- 2 Lorsque vous disposez l'appareil sur une surface plane comme un bureau, etc., mettez un chiffon sur la surface pour éviter de la rayer. Placez l'appareil sur le chiffon.

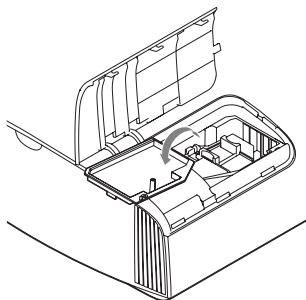
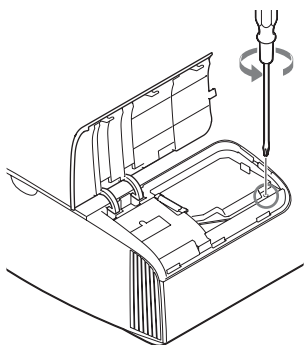
## Remarque

Assurez-vous que l'appareil est posé sur une surface stable.

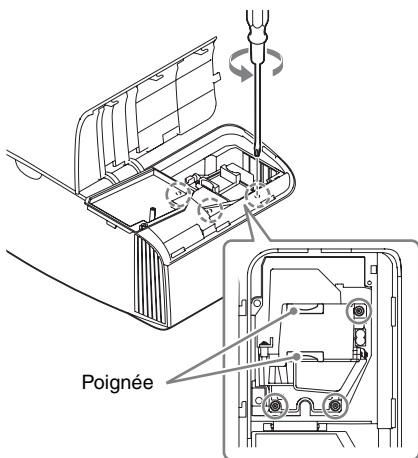
- 3 Tout en appuyant sur la partie  indiquée sur l'illustration du couvercle de la lampe, faites glisser  , puis ouvrez  le couvercle de la lampe.



- 4** Desserrez la vis du couvercle de la lampe (couvercle intérieur) avec un tournevis cruciforme, puis ouvrez le couvercle de lampe.



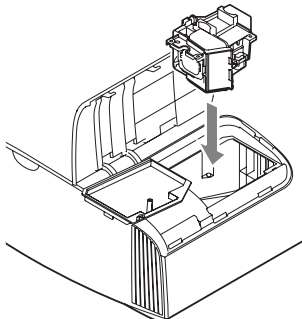
- 5** Dévissez les 3 vis de la lampe à l'aide du tournevis cruciforme. Maintenez la poignée vers le haut et retirez la lampe.



**Remarques**

- À l'exception des 3 vis spécifiées, ne desserrez aucune autre vis.
- Tenez la lampe par la poignée pour la retirer et la fixer.

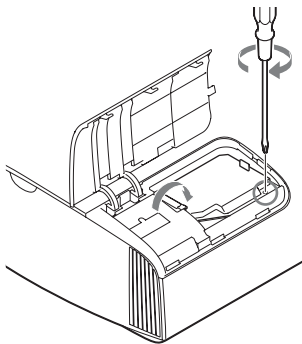
- 6** Insérez fermement et à fond la nouvelle lampe à l'aide de la poignée, puis resserrez les 3 vis.



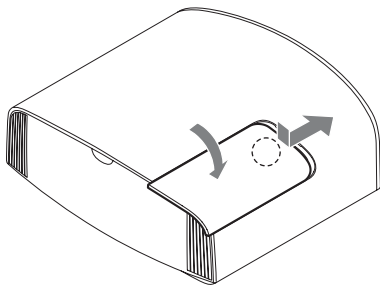
**Remarque**

Veillez à ne pas toucher le bloc optique à l'intérieur du projecteur.

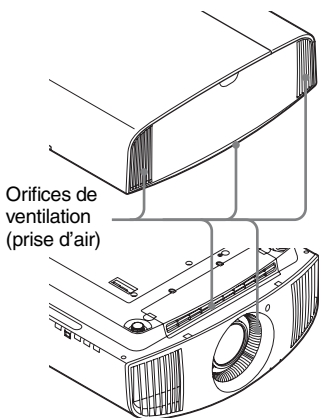
- 7** Fermez le couvercle de la lampe (couvercle intérieur), puis vissez-le.



## 8 Fermez le couvercle de la lampe.

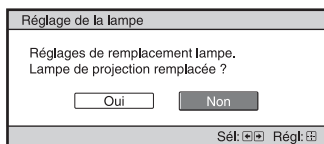


## 9 Dépoussiérez les orifices de ventilation (prise d'air) à l'aide d'un chiffon.



## 10 Mettez l'appareil sous tension, puis sélectionnez l'option de réglage de la lampe dans le menu Réglage de la lampe dans le menu Réglage.

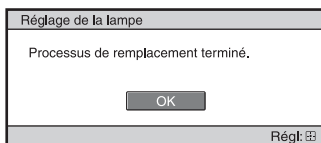
L'écran du menu ci-dessous s'affiche.



### Conseil

Si « Verrou réglages » est réglé sur « Niveau B », réglez-le immédiatement sur « Off ».

## 11 Sélectionnez « Oui ».



### Mise en garde

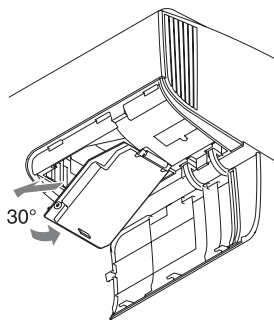
N'introduisez pas les doigts dans la fente de remplacement de la lampe et veillez à ce qu'aucun liquide ou objet ne tombe à l'intérieur de la fente pour éviter tout risque d'électrocution ou d'incendie.

### Remarques

- L'appareil ne se mettra sous tension que si la lampe est bien mise en place.
- L'appareil ne se mettra sous tension que si le couvercle de la lampe est bien fermé.
- Pour effacer un message affiché à l'écran, appuyez une fois sur un bouton quelconque de la télécommande ou du panneau de commande de l'appareil.

### Remarque concernant le remplacement d'une lampe brisée en cas d'installation au plafond

Si la lampe se brise, les morceaux de lampe risquent de se disperser et de vous blesser. Lorsque l'appareil est fixé au plafond, retirez le couvercle de la lampe (couvercle intérieur) en le faisant lentement glisser horizontalement après l'avoir ouvert en le soulevant de 30 degrés. Éviter de tordre le couvercle de la lampe (couvercle intérieur).



**Remarque**

La lampe contient du mercure. La réglementation en matière de mise au rebut pour les tubes fluorescents dépend de votre lieu de résidence. Respectez la politique d'élimination des déchets de votre région.

**Mettre à disposition de la lampe usagée****Pour les clients aux États-Unis et au Canada**

**(Hg)** La lampe de cet appareil contient du mercure. Disposez selon les lois locales, provinciales et fédérales applicables.

Pour de plus amples informations, voir [www.sony.com/mercury](http://www.sony.com/mercury)



