

MONOGRAM 27" BUILT-IN DOUBLE OVEN

ZKD90DPSZSS



TRUE EUROPEAN CONVECTION

A powerful third heating element and fan combination work together to deliver exceptional heat circulation and consistently delicious results.

BRILLIANT 7" LCD DISPLAY

Easily adjust oven settings on a vibrant, customizable display that allows you to personalize your wallpaper, check weather updates, manage multiple timers, maintain a shared shopping list and connect your phone via Bluetooth to play music right from your oven.

INTEGRATED COOKING CONTENT

Discover recipe inspiration, guided cooking experiences and expert culinary tips from trusted partners like King Arthur Baking — helping you build confidence and get more from your oven.

DIGITAL RECIPE BOX

Elevate your culinary creativity with the digital recipe box, allowing you to save your favorite recipes directly to the oven screen or the SmartHQ™ app. Store recipes from popular food websites or upload photos of your handwritten recipes for effortless access and organization.

PRECISION COOKING MODES

Master new recipes and perfect favorite dishes from prime rib to salmon using this ultra-smart system that automatically tracks cooking progress, modifies temperatures and adjusts cook times.

MORE WAYS TO MASTER EVERY MEAL

A full suite of premium cooking modes— from Slow Roast to No-Preheat Air Fry — delivers more capability in one beautifully integrated appliance.

EFFORTLESS SMART CONTROL

Enhance your wall oven with seamless remote access through the SmartHQ™ app, along with real-time alerts and over-the-air updates designed to help your oven continue improving over time. Plus, voice control through Alexa or Google Home adds hands-free convenience to everyday cooking.



SPECIFICATIONS

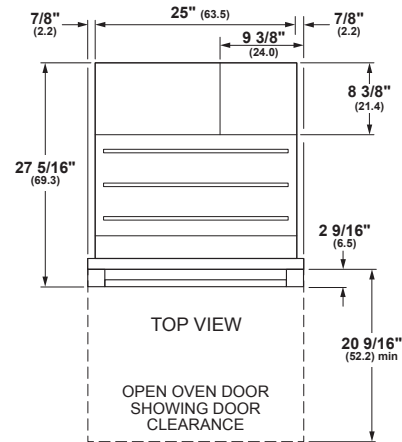
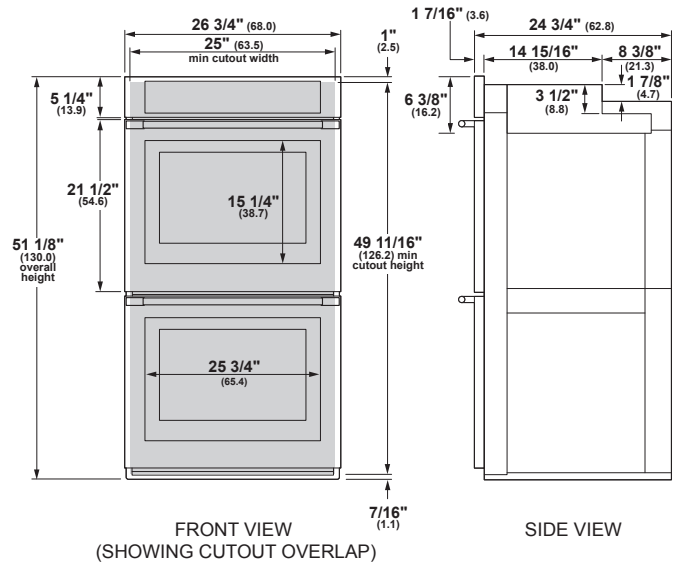
| | |
|--|--|
| Overall Width | 26 3/4" (68.0 cm) |
| Overall Height | 51 1/8" (130.0 cm) |
| Overall Depth Including Handle | 26 5/8" (67.6 cm) |
| Oven Door Clearance | 20 9/16" (52.2 cm) |
| Overall Oven Interior Capacity | 8.6 cu. ft (243.6 Liters) |
| Oven Interior Dimensions (WxHxD) each oven | 21 1/2" x 17 1/4" x 20" (54.6 x 43.8 x 50.8 cm) |
| Minimum Cabinet Width* | 27" (76.2 cm) |
| Minimum Cabinet Depth* | 24" (61.0 cm) |
| Minimum Base Support | 400 lbs. (181 kg) |
| Cutout Width* | 25" (63.5 cm) Min 25 1/4" (64.1 cm) Max |
| Cutout Height* | 49 11/16" (126.2 cm) Min 50 1/8" (127.3 cm) Min |
| Cutout Depth* | 23 1/2" (59.7 cm) Min |
| Volts/Hertz/Amps | 240/208 V AC, 60 Hz, 30A |
| Conduit Length | 48" (72" available special order: WB18T10398) |
| Electrical Rating | 5.4 kW at 208V 7.2 kW at 240V |
| Shipping Weight | 250 lbs. (114 kg) |

* Additional space will be needed for flush installation.

ATTENTION ELECTRICIAN:

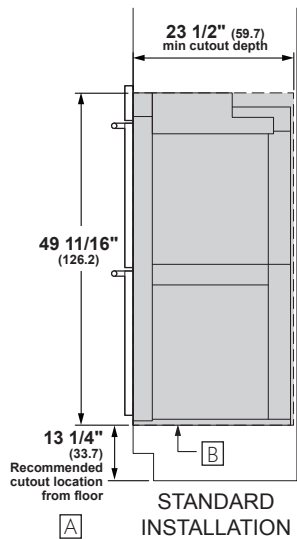
A 240/208V, 60Hz, 30 Amp circuit is required. An individual properly grounded branch circuit or circuit breaker is required. Hardware junction box is required for built-in product.

OVERALL DIMENSIONS



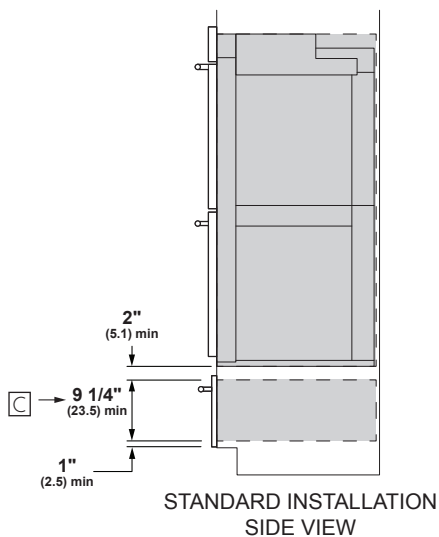
Dimensions in parentheses are in centimeters unless otherwise noted. Actual product dimensions may vary due to manufacturing tolerances.

WALL INSTALLATION



Allow 1/8" (0.3) clearances from side edges of oven door.

INSTALLATION OVER WARMING DRAWER



For more details, refer to the installation instructions for this product on Monogram.com. Dimensions in parentheses are in centimeters unless otherwise noted.

For questions about your appliance, please call 1-800-626-2000.

HELPFUL TIPS

- A Based on a user height of 5' 6" to 5' 10"
- B Platform must be able to support 400 lbs (181 kg)
- C Dimension per Warming Drawer requirement