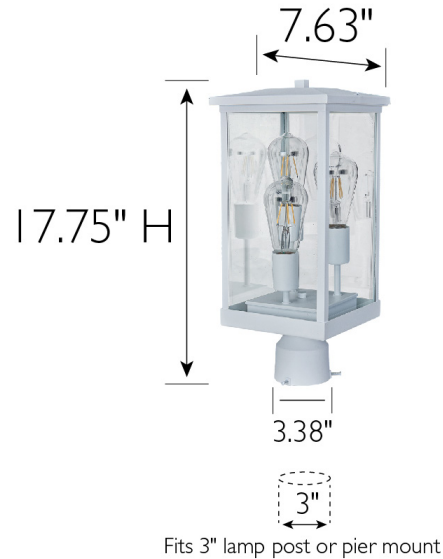


Mayfield Outdoor Post Top Light  
White



Fits 3" lamp post or pier mount

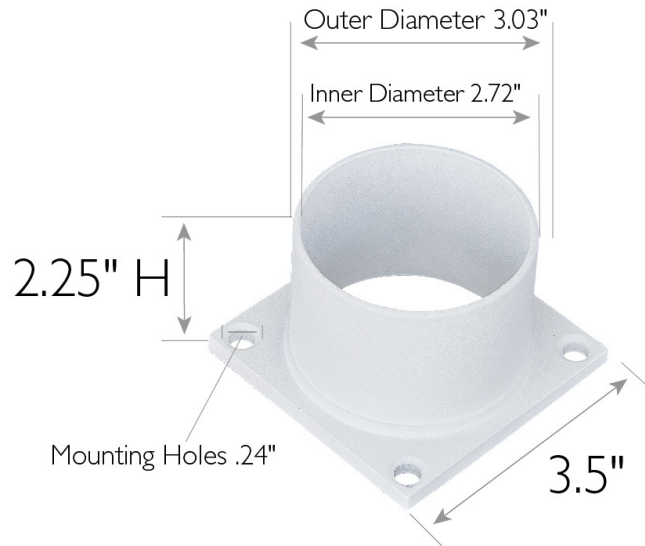
**SPECIFICATIONS**

<b>MOUNTING:</b>	Pier or Post Mount	<b>LED BRIGHTNESS (LUMENS):</b>	N/A
<b>SLOPED CEILING ADAPTABLE:</b>	No	<b>LED COLOR CORRELATED TEMPERATURE (CCT):</b>	N/A
<b>LAMP TYPE I:</b>	Maximum 60W Medium Base Bulb	<b>LED COLOR RENDERING INDEX (CRI):</b>	N/A
<b>BULB INCLUDED:</b>	No	<b>LED EFFICACY:</b>	N/A
<b>WATTS PER BULB:</b>	60W	<b>LED AVERAGE RATED LIFE:</b>	N/A
<b>TOTAL WATTAGE:</b>	180W	<b>ENERGY EFFICIENT:</b>	N/A
<b>DIMMABLE:</b>	No	<b>LIGHTING AMPS:</b>	1.5
<b>MATERIAL CONSTRUCTION:</b>	Aluminum/Glass	<b>VOLTAGE:</b>	120V
<b>ASSEMBLED DIMENSIONS:</b>	17.75" H x 7.63" L x 7.63" D		
<b>WEIGHT:</b>	5.94 lbs.		
<b>BACKPLATE DIMENSIONS:</b>	N/A		
<b>CANOPY/PLATE DIMENSIONS:</b>	N/A		
<b>GLASS/SHADE DIMENSIONS:</b>	13.25" H x 7.13" L x 7.13" D		
<b>GLASS/SHADE MATERIAL:</b>	Glass		
<b>GLASS/SHADE TYPE:</b>	Clear		
<b>GLASS/SHADE COLOR:</b>	Clear		

<b>WARRANTY:</b>	10-Year limited warranty
<b>UL/ETL CERTIFICATION:</b>	cETL/ETL
<b>WET/DRY/DAMP LISTING:</b>	Wet
<b>ADA COMPLIANT:</b>	No
<b>ENERGY STAR CERTIFIED:</b>	No



TYPE:
JOB:
ORDER CODE:
APPROVALS:



## SPECIFICATIONS

<b>MOUNTING:</b>	Surface Mount	<b>LED BRIGHTNESS (LUMENS):</b>	N/A
<b>SLOPED CEILING ADAPTABLE:</b>	No	<b>LED COLOR CORRELATED TEMPERATURE (CCT):</b>	N/A
<b>LAMP TYPE I:</b>	N/A	<b>LED COLOR RENDERING INDEX (CRI):</b>	N/A
<b>BULB INCLUDED:</b>	No	<b>LED EFFICACY:</b>	N/A
<b>WATTS PER BULB:</b>	N/A	<b>LED AVERAGE RATED LIFE:</b>	N/A
<b>TOTAL WATTAGE:</b>	N/A	<b>ENERGY EFFICIENT:</b>	N/A
<b>DIMMABLE:</b>	N/A	<b>LIGHTING AMPS:</b>	N/A
<b>MATERIAL CONSTRUCTION:</b>	Aluminum	<b>VOLTAGE:</b>	N/A
<b>ASSEMBLED DIMENSIONS:</b>	2.25" H x 3.5" L x 3.5" D		
<b>WEIGHT:</b>	0.3 lbs.		
<b>BACKPLATE DIMENSIONS:</b>	N/A		
<b>CANOPY/PLATE DIMENSIONS:</b>	N/A		
<b>GLASS/SHADE DIMENSIONS:</b>	N/A		
<b>GLASS/SHADE MATERIAL:</b>	N/A		
<b>GLASS/SHADE TYPE:</b>	N/A		
<b>GLASS/SHADE COLOR:</b>	N/A		

<b>WARRANTY:</b>	10-Year limited warranty
<b>UL/ETL CERTIFICATION:</b>	N/A
<b>WET/DRY/DAMP LISTING:</b>	N/A
<b>ADA COMPLIANT:</b>	N/A
<b>ENERGY STAR CERTIFIED:</b>	N/A



TYPE:
JOB:
ORDER CODE:
APPROVALS: