



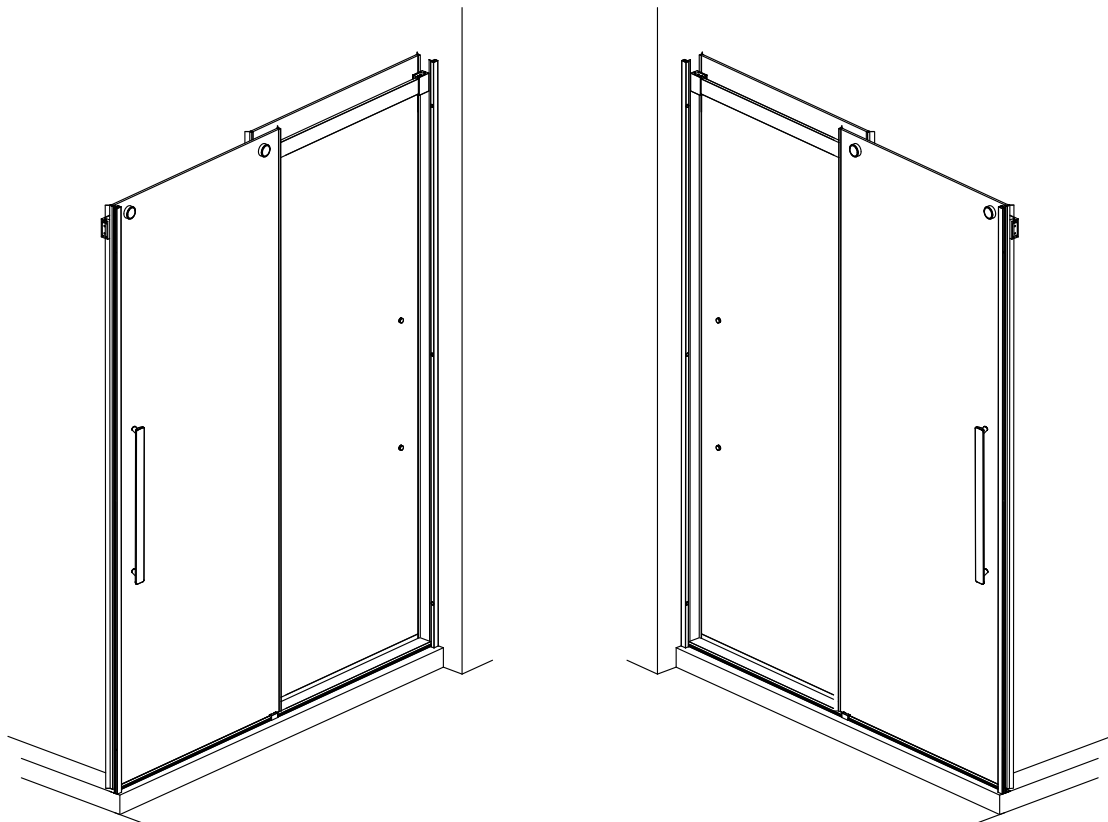
ANZZI®

ITEM: SD-FRLS05901**
SD-FRLS05902**
SD-FRLS05903**

ANZZI GLASS SHOWER DOOR
INSTALLATION & OPERATION MANUAL

V2.10

02/04/2026



DON'T WAIT! REGISTER NOW!

Register your product within 90 days to ensure your product is recognized as an official purchase and is eligible for warranty coverage.

Register online at <https://anzzi.com/pages/register> or scan the QR code at PG. 2.



PRODUCT REGISTRATION*

IMPORTANT: Warranty will not be recognized unless product is registered.

Register online at <https://anzzi.com/pages/register> or Scan the QR code below.

Registering online is fast, secure, and ensures we receive your information.

1

USE YOUR PHONE CAMERA
TO SCAN THE QR CODE



2

FILL IN A QUICK
REGISTRATION FORM

Thank you for your purchase!

Registering your products ensures you maximize your warranty benefits and receive prompt service and support.

Name*

Email*

City*

Order #*

Installer Name

⋮

Model Purchased*

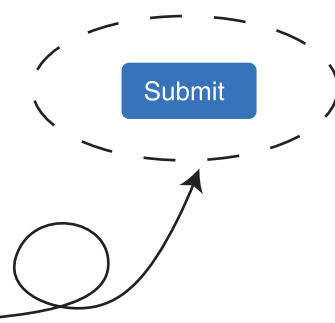
Installer Phone Number

Customer Age Range

Submit

3

CLICK SUBMIT AND
ENJOY PEACE OF MIND



Need help? For technical support call 305-614-4070 or visit us at www.ANZZI.com



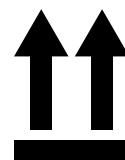
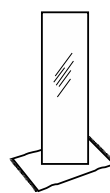
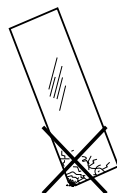
STOP!

**READ BEFORE YOU PROCEED!
TO KEEP GLASS FROM BREAKING, MAKE SURE:**

- 1. This product is heavy and requires two people to install.**
- 2. Glass corner protectors remain on during installation.**
- 3. Glass protective seals are mounted to the door before opening/closing.**
- 4. Glass panels are aligned & level with wall/floor.**
- 5. Slider must be installed correctly for smooth sliding.**

WARNING

PROTECTIVE EQUIPMENT MUST BE WORN WHEN HANDLING GLASS



INSTALLATION GUIDE

BEFORE YOU BEGIN

- Please check the product for damage and missing parts immediately upon delivery. Damage reported later will not be covered by our warranty. Please handle the product with care. Avoid any impact to the sides and edges of the glass.
- Consult your local building codes before installation.
- To reduce the risk of breakage, keep corner protectors on the glass while installing.
- If this unit is being installed in new construction, please install all required plumbing and drainage before installing the shower. Use a licensed plumber/contractor (if required by local code) for all plumbing installations.
- Before beginning installation, make sure all surfaces are level, solid and will support the total weight of the unit. Also, make sure the walls are at right angles. Irregular installation surface level, radius corners, or improper angle of side walls will result in serious problems for your installation. Please note that some adjustments and drilling might be necessary during the installation process.
- Please protect all primary surfaces of the product during installation. Never set your glass down directly onto a tile floor. Leave corner protectors in place until necessary to remove them. Always use wood or cardboard to protect the bottom edge and corners of the glass before and during installation.



WARNING

- This unit must be installed upon a finished threshold and against finished walls.
- Take care to avoid hidden pipes or electrical cables when drilling holes in walls.
- This product is heavy and requires two people to install it.
- When cutting or drilling metal components or handling glass, wear protective eye wear, gloves, and closed-toe shoes to reduce the risk of personal injury.
- Failure to follow instructions when installing this product may result in personal injury, property damage, or product failure and may void the warranty.

INSTALLATION GUIDE

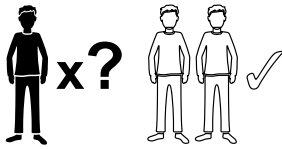
BEFORE YOU BEGIN



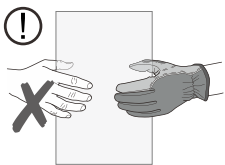
ATTENTION

- Threshold must be level for proper installation.
- The installation of this unit requires that you drill down into the threshold. Contact the manufacturer of the base or threshold material with any questions regarding the drilling of holes into their product.
- This model requires a minimum 2-3/4" (70mm) of flat level threshold space for installation. 4-1/8" (105mm) of flat level threshold space is better.

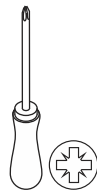
Tools Required



- This product is heavy and requires two people to install.



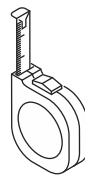
- Use cut-resistant, non-slip gloves to reduce the risk of personal injury and to hold the glass firmly.



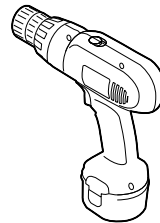
Phillips
Screwdriver



Level



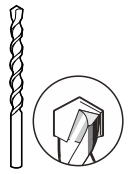
Tape
Measure



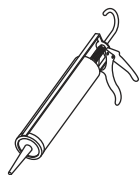
Drill



1/8"
(3mm)
Drill Bit



1/4"
(6mm)
Drill Bit



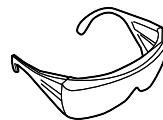
100%
Silicone
Sealant



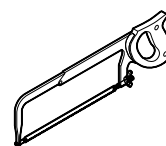
Pencil



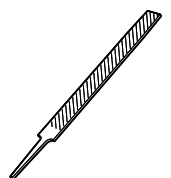
Rubber
Mallet



Safety
Glasses



Hack
Saw



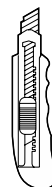
Metal File



Tin Snips



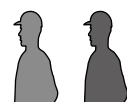
Stud Finder



Knife



This product is heavy and requires two people to install.

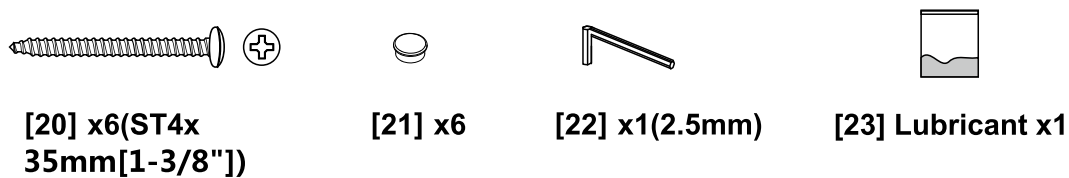
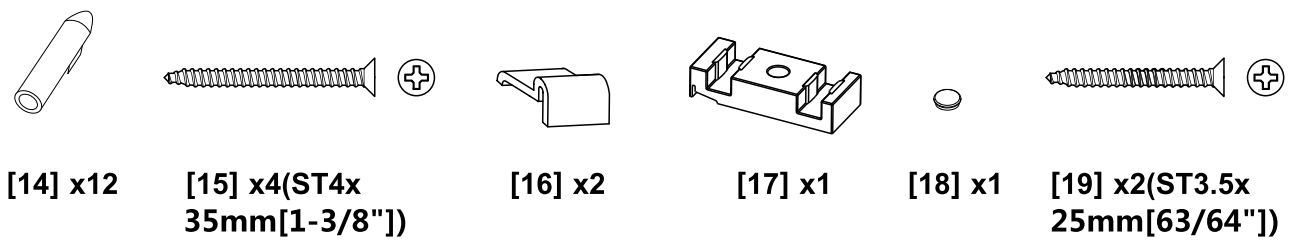
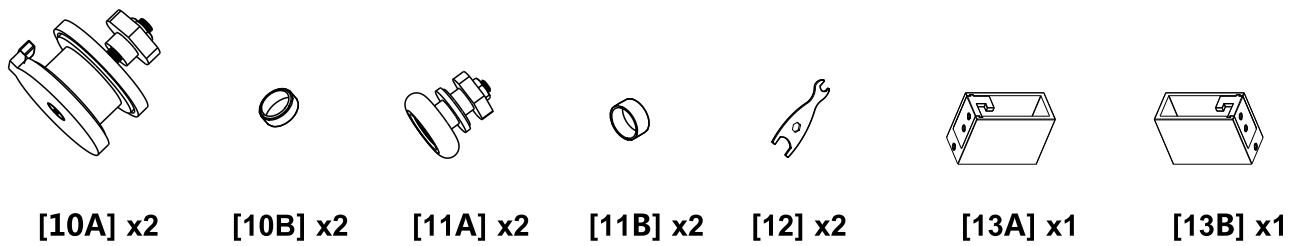
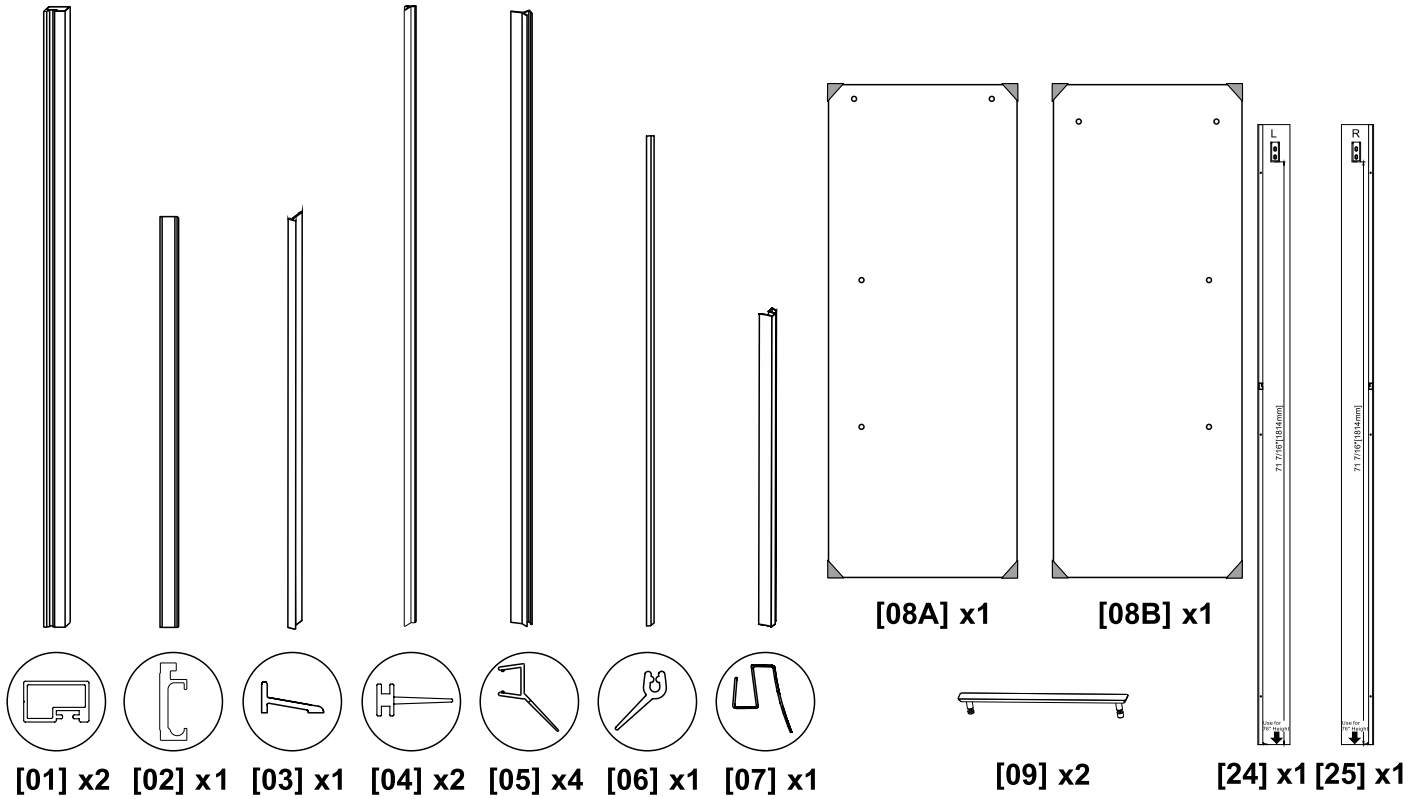




WARNING

To prevent damage to glass and potential injury, make sure to follow the instructions on page 1.

PARTS

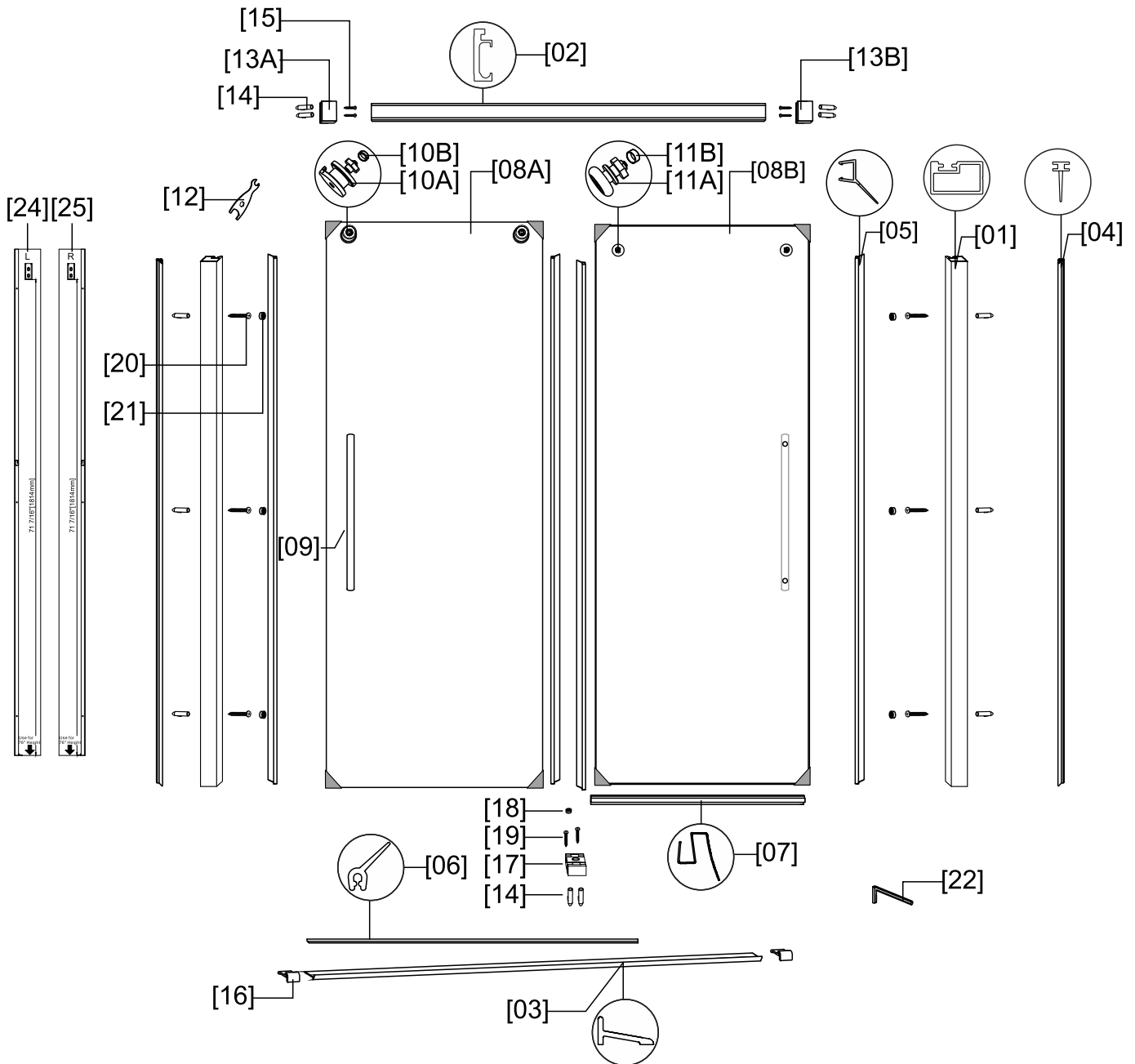




WARNING

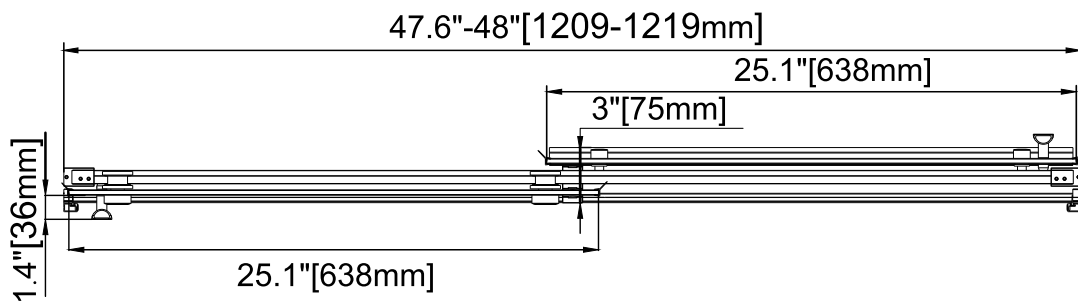
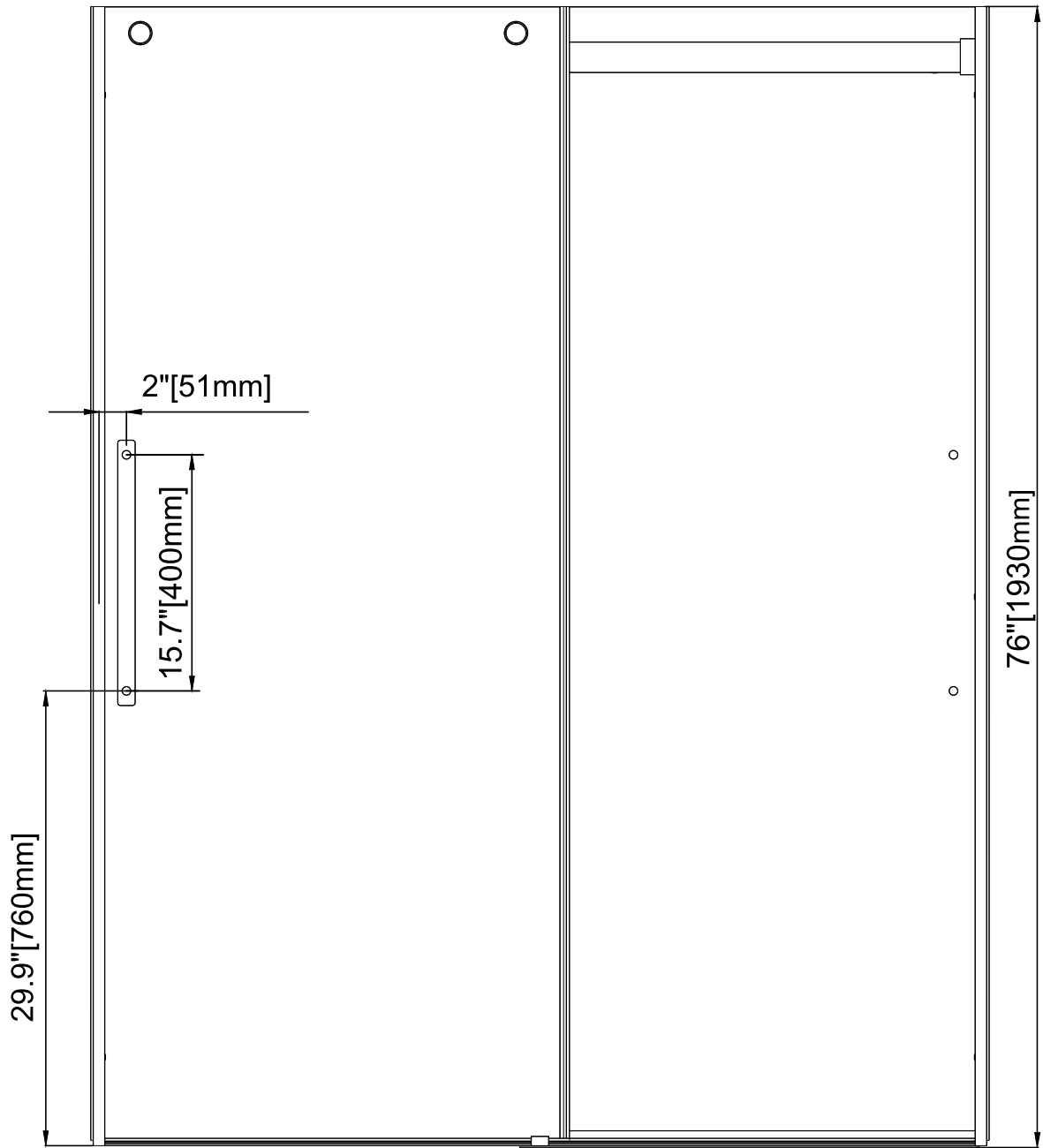
To prevent damage to glass and potential injury, make sure to follow the instructions on page 1.

ASSEMBLY

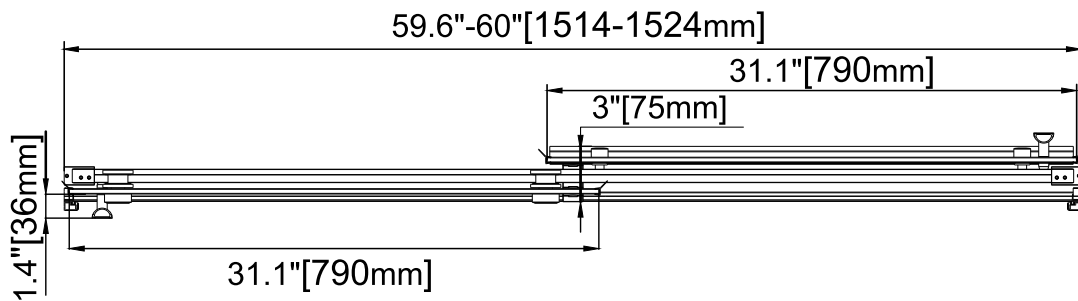
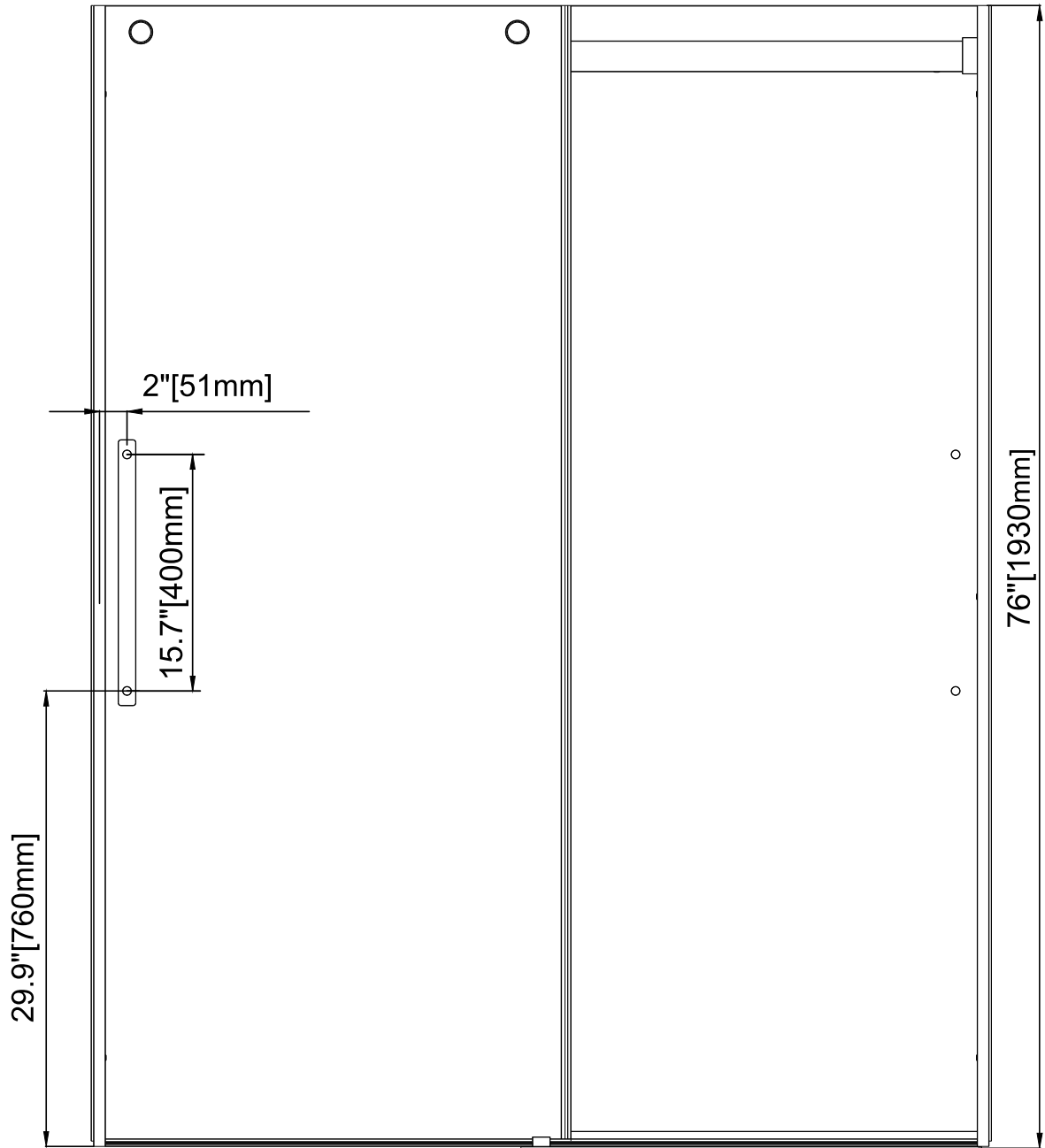


Part	Description	Qty.	Part	Description	Qty.
[01]	Wall Jamb	2	[13]	Wall Bracket (L&R)	2
[02]	Support Bar	1	[14]	Anchor	12
[03]	Bottom Rail	1	[15]	FH Screw ST4x35mm[1-3/8"]	4
[04]	Gasket	2	[16]	Seal	2
[05]	Side Gasket	4	[17]	Bottom Guide	1
[06]	Threshold Gasket	1	[18]	Bottom Guide Cap	1
[07]	Sealing Strip	1	[19]	Screw ST3.5x25mm[63/64"]	2
[08]	Door Panel	2	[20]	Screw ST4x35mm[1-3/8"]	6
[09]	Handle Set	2	[21]	Cap	6
[10]	Outer Wheels	2	[22]	Allen Key	1
[11]	Inner Wheels	2	[24]	Template (L)	1
[12]	Wrench	2	[25]	Template (R)	1

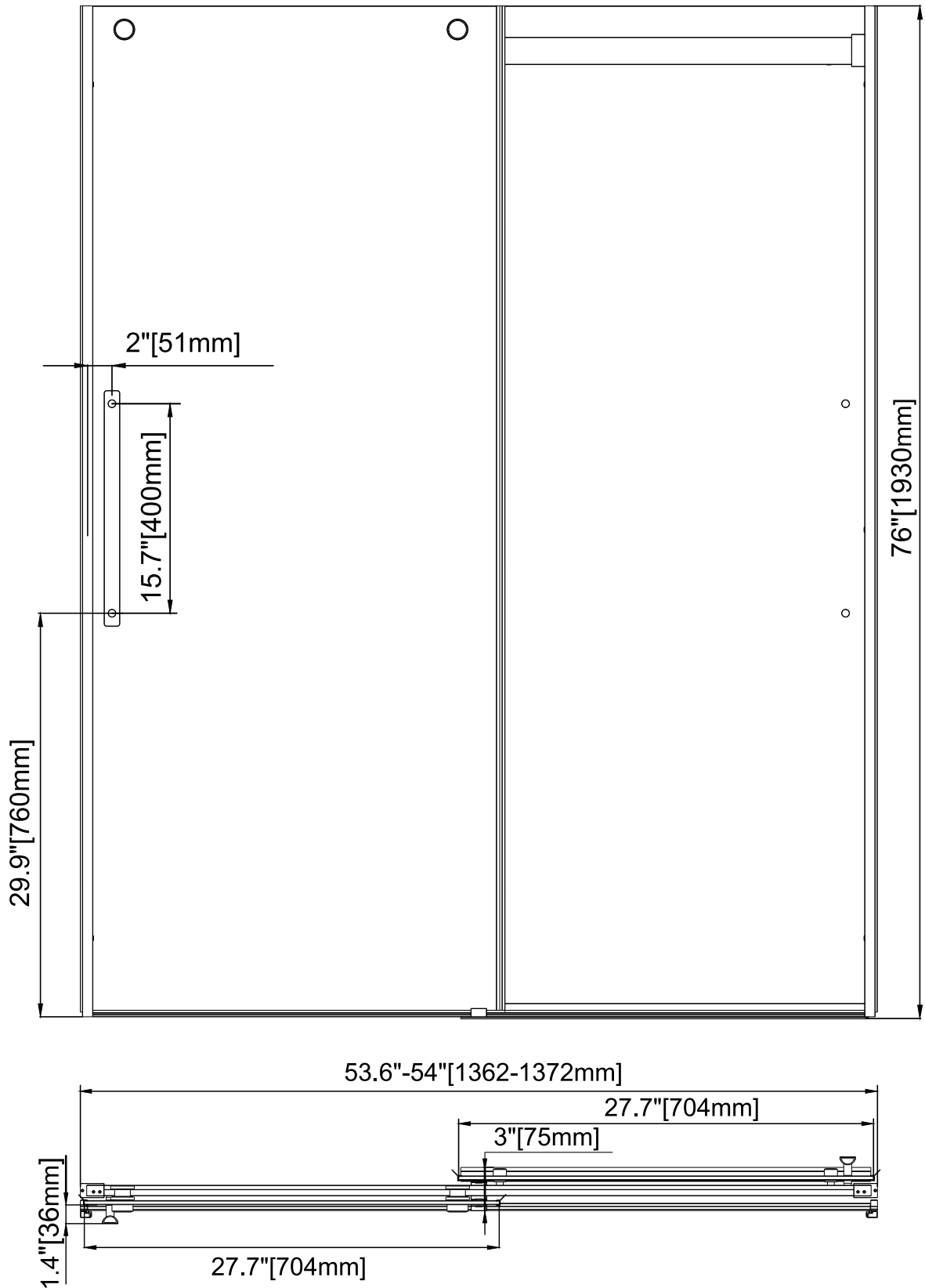
SD-FRLS05901** 48"*76"



SD-FRLS05902** 60"*76"



SD-FRLS05903** 54"*76"





ATTENTION

- To avoid personal injury or property damage, identify components and read all instructions before installing.
- This model requires a minimum 2-3/4" (70mm) of flat level threshold space for installation. 4-1/8" (105mm) of flat level threshold space is preferable. (Dimension "D" of Fig 1.)

INSTALLATION INSTRUCTIONS

Step 1

- This shower door must be mounted to a stud. Minimum threshold space is required. **IMPORTANT:** Using a stud finder, ensure the wall intended to hold the door has a stud at the installation point. A stud in this location must be identified to support the support bar in order to proceed with the installation. If there is no stud in the shown area, we recommend employing a qualified contractor to install one. (Fig 2)
1. Tear off the tape of the **Template (L)** and **Template (R)** and stick them to the side wall of shower room as Fig 1 shows. Make sure the edge of templates are aligned with the edge of walls. Or measure in A" if you want to install the shower door behind the outside of the wall.
Note: A" is the distance between outermost surface of shower door and the outside of the wall. Make sure the **Template (L)** is sticked on the left wall. (Fig 1)
 2. Mark the screw hole position through the templates to the wall. Use stud finder to make sure there are studs behind the positions of the templates. (Fig 1, Fig 2)

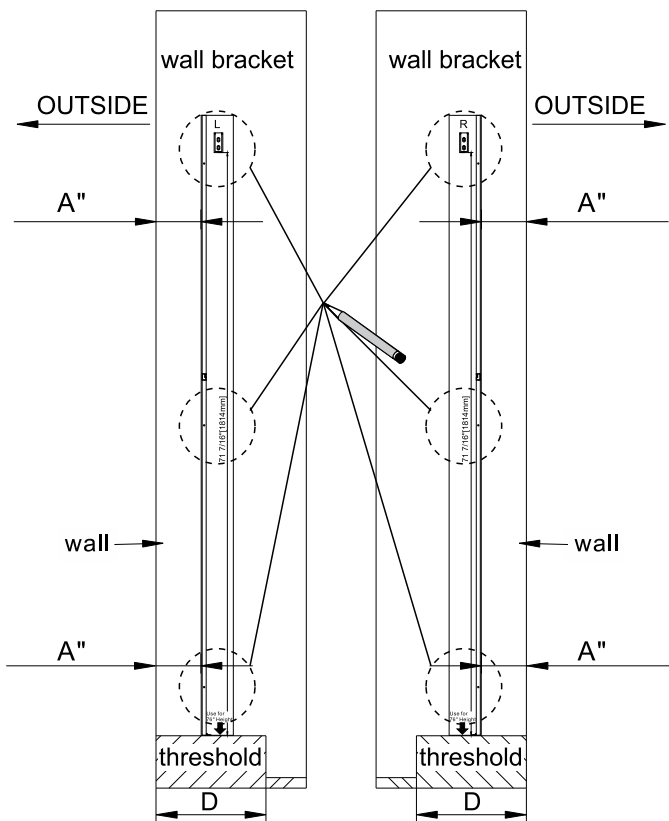


Fig 1

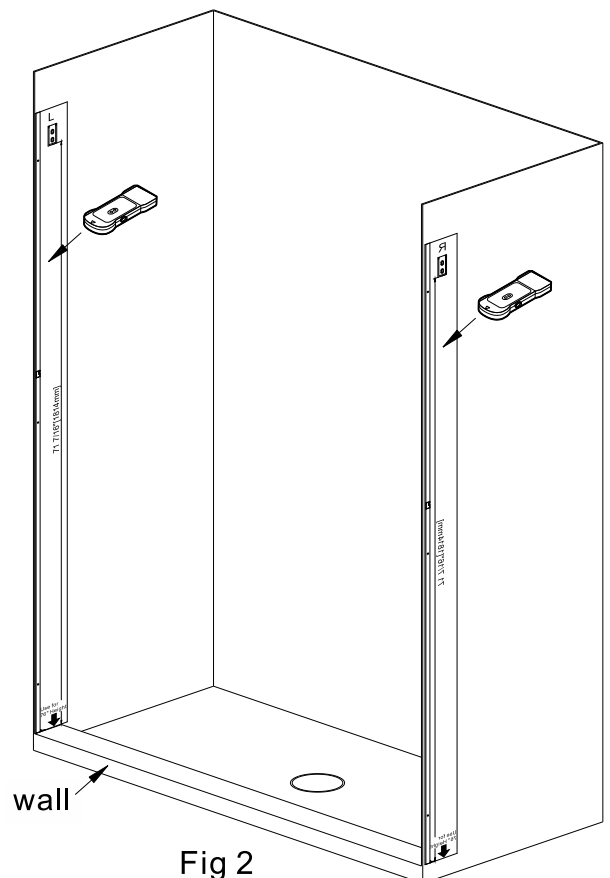


Fig 2

Step 2

1. Measure the finished opening width at the bottom ("W2") and at the top ("W1").

IMPORTANT: If the Support Bar [02] and the Bottom Rail [03] match the width there's no need to cut them. If they don't, please see Step 2 for cutting instructions.

2. Using a pencil or another marking tool (such as masking tape), mark distance **W1 minus 1-1/8" (28.5mm)** on the **Support Bar [02]** (to leave some space for the **Wall Bracket**), **W2 minus 1/16" (2mm)** on the **Bottom Rail [03]**.

IMPORTANT: Double check the measurements before cutting. Cut the **Support Bar [02]** and the **Bottom Rail [03]** with a fine toothed (32 TPI) hack saw. If needed, use a metal file to smooth rough edges. Clean up metal shavings. **DO NOT** stand on or use a vice to hold the **Support Bar [02]** and the **Bottom Rail [03]** while cutting.

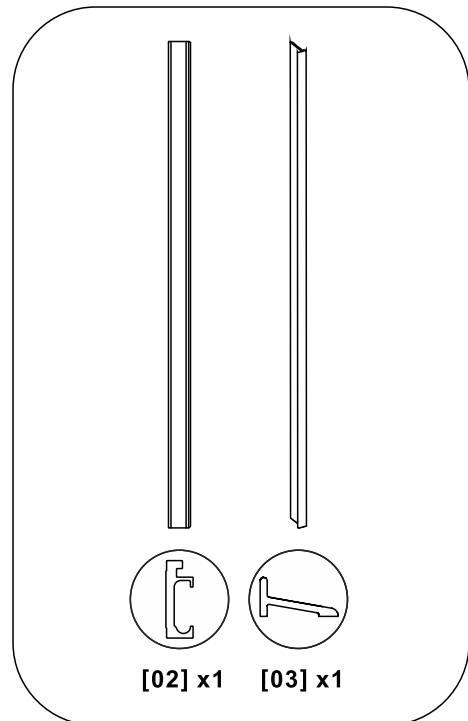
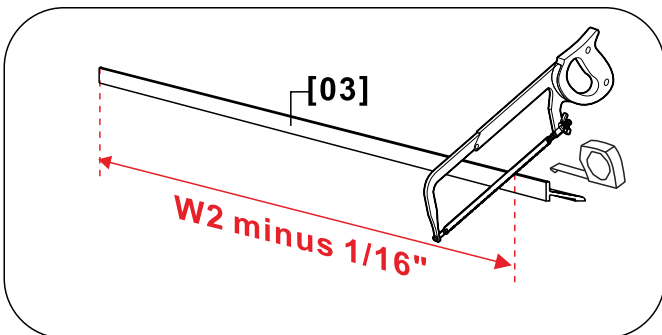
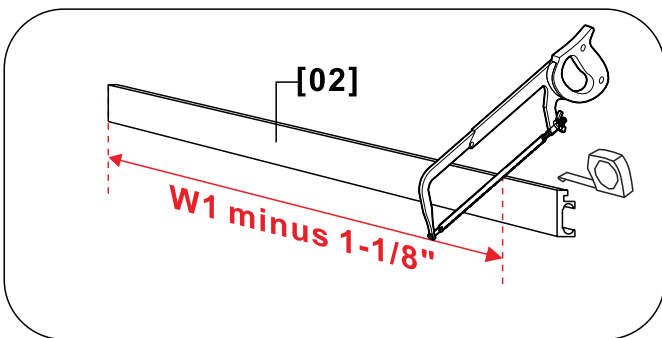
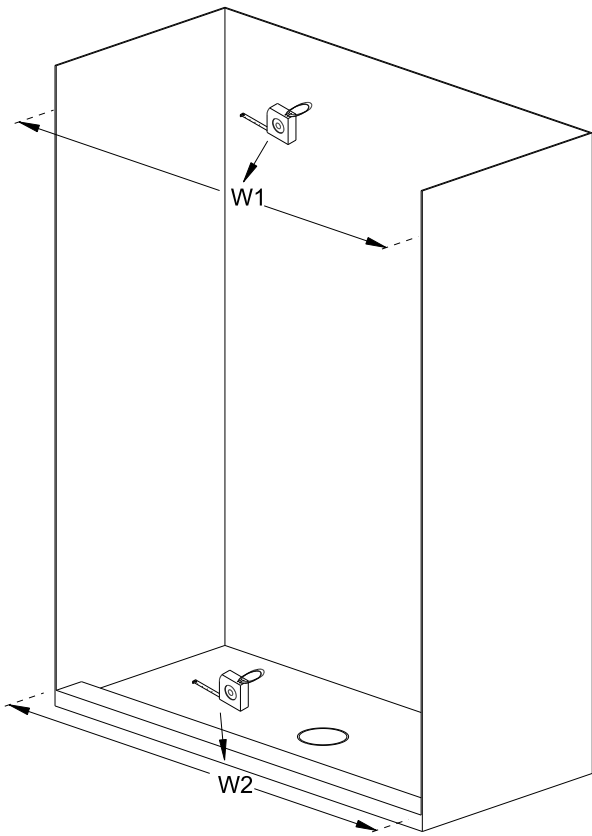


Fig 3

Step 3

1. Tear off the tape from the **Bottom Rail [03]**. (Fig 4) Place the **Bottom Rail [03]** onto the threshold by referring to the position of drawings on the bottom of templates. (Fig 5)
2. Tear off the templates from the wall.
3. Measure across the width of the threshold to locate and mark the center. (Fig 6)

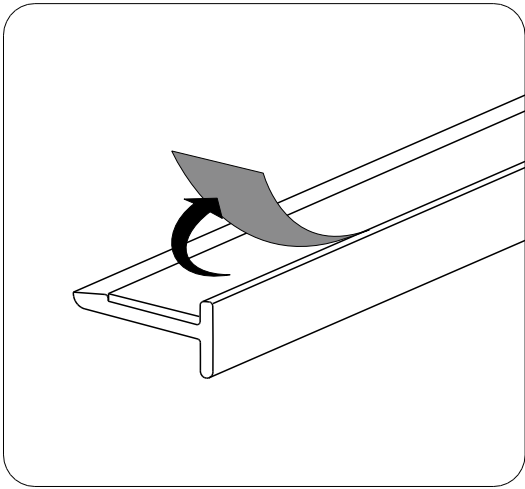


Fig 4

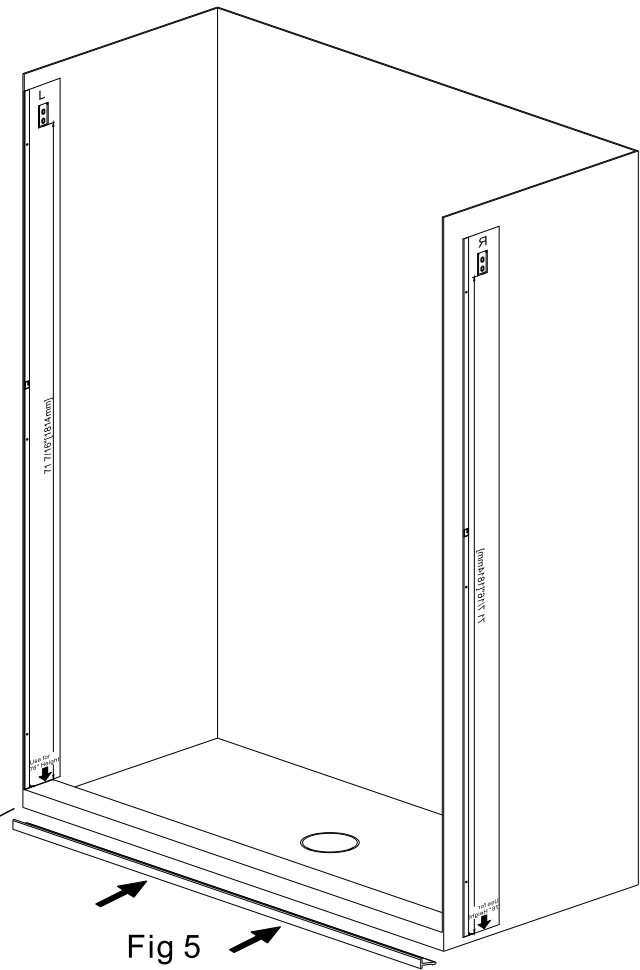
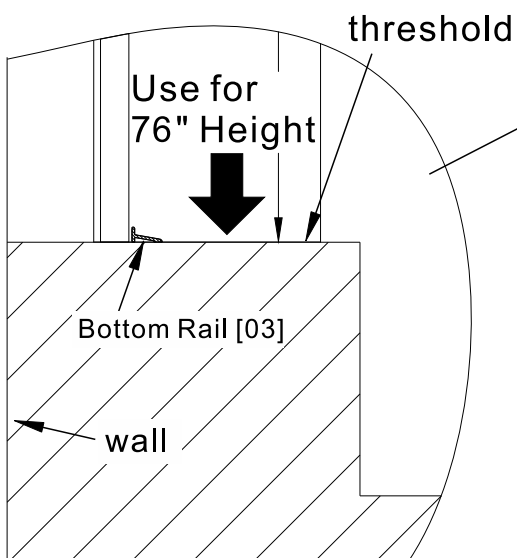


Fig 5



Sections of Bottom Rail and Threshold

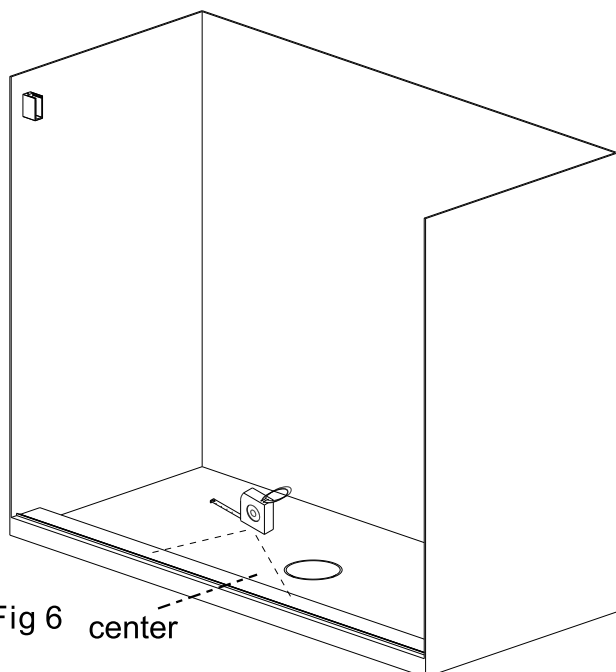
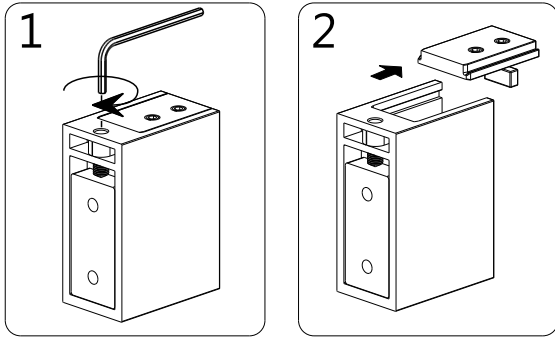


Fig 6 center

Step 4

1. Make sure the screw of the **Wall Bracket Assembly**s are tightened. (Fig 7.1)
2. Remove the covers. (Fig 7.2)
3. Drill a 1/4" hole at each location and insert the **Anchors [14]**.(Fig8.1, Fig8.2)
4. Attach the **Wall Bracket Assembly [13A]** and **Wall Bracket Assembly [13B]** using the **FH Screw ST4x35 [15]**.(Fig8.3)



! ATTENTION

Wear safety glasses and cut-resistant, non-slip gloves when drilling or cutting to avoid risk of injury.

Anchors[14] MUST be used.

Fig 7

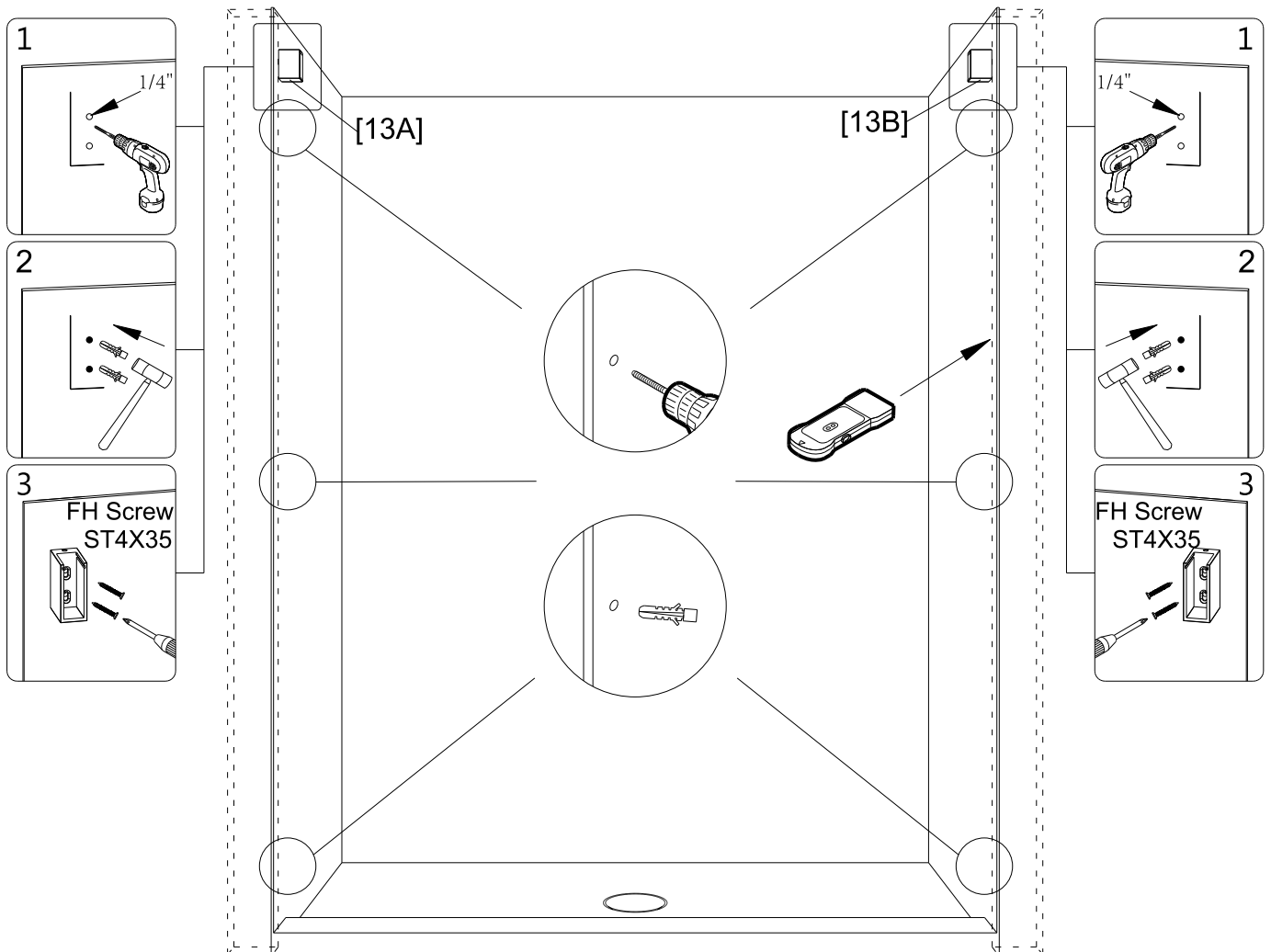


Fig 8

Step 5

1. Place the **Bottom Guide [17]** onto the center of the **Bottom Rail [03]** and mark the hole for drilling. (Fig 9.1, Fig 9.2)
2. Drill a 1/8" hole at each marked location if drilling into acrylic or wood material. (Fig 9.3)
Drill a 1/4" hole at each marked location if drilling into tile material and insert the **Anchors [14]**. (Fig 9.4)
3. Fix the **Bottom Guide [17]** with screws **ST3.5X25 [19]**. (Fig 9.5)
4. Install **Bottom Guide Cap [18]** to finish the Bottom Guide's installation. (Fig 9.6)

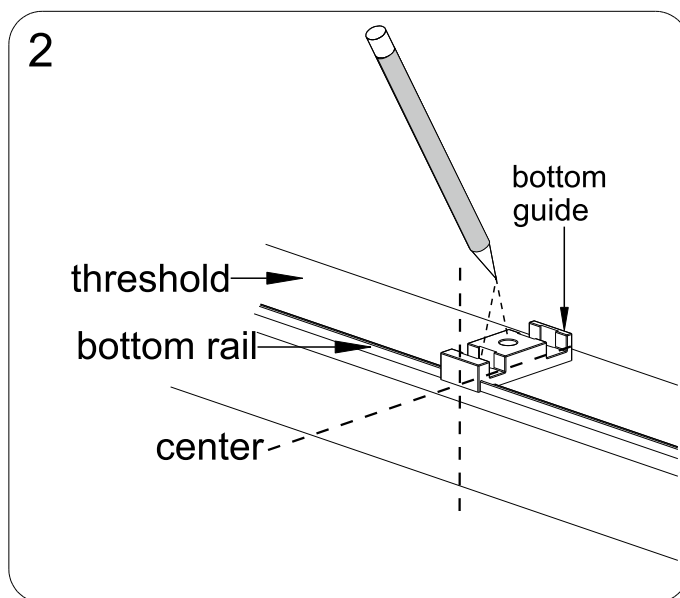
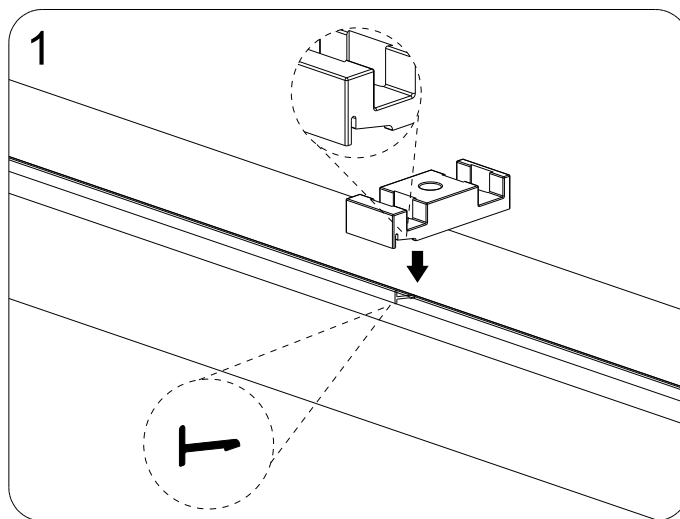
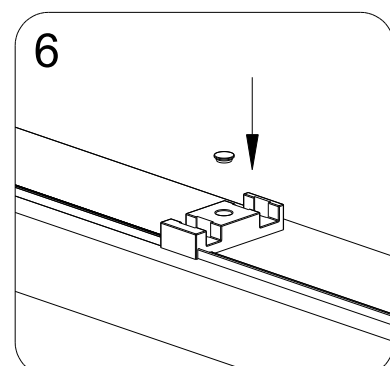
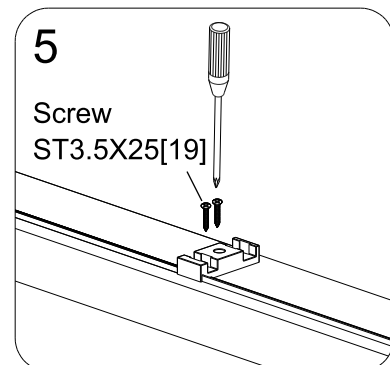
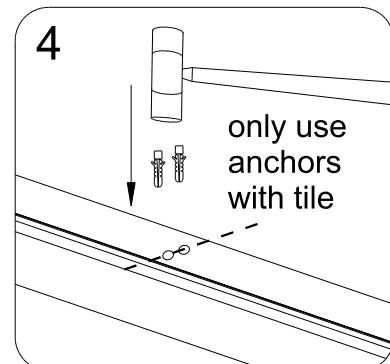
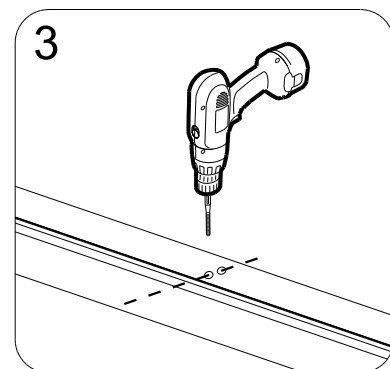
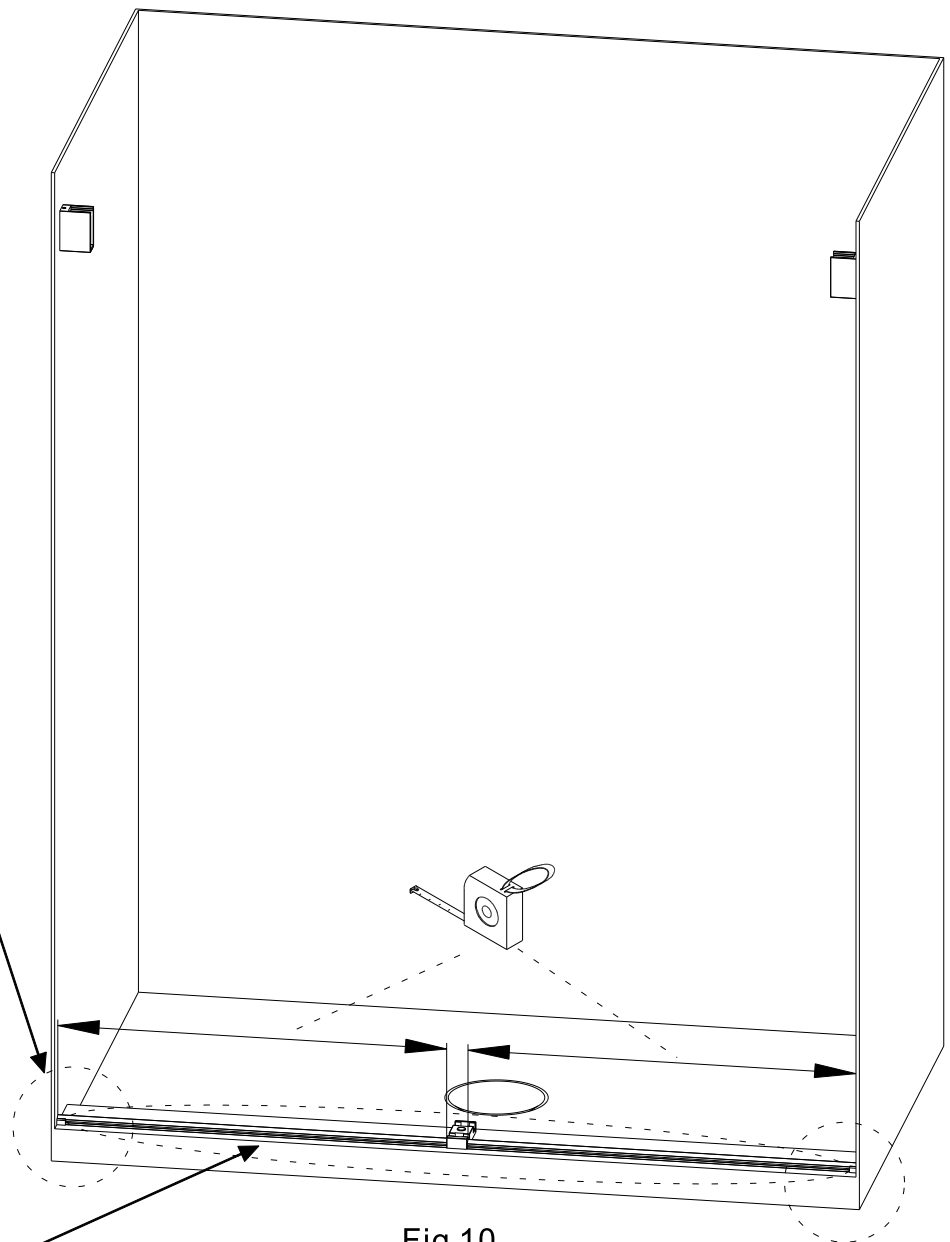
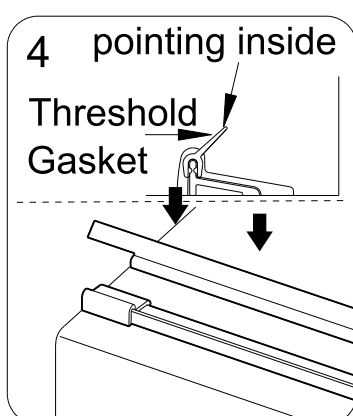
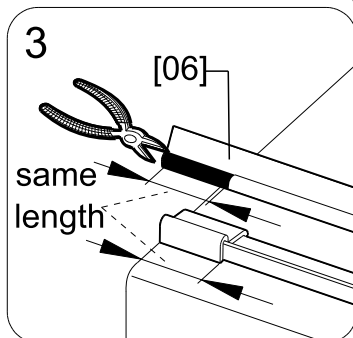
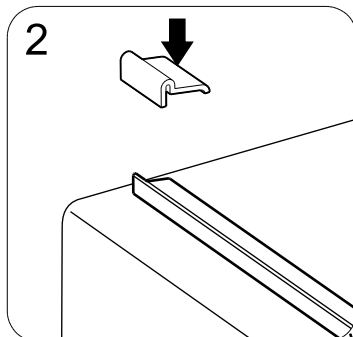
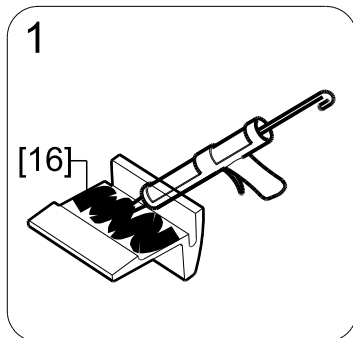


Fig 9



Step 6

1. Apply silicone to the **Seal [16]** and attach to the end of **Bottom Rail [03]**.
(Fig 10.1 and Fig 10.2)
2. Measure the length between the left side wall surface and the **Bottom Guide [17]** and the right side wall surface.
3. Cut the Threshold Gasket to the length with tin snips. Cut the interfering part of the **Threshold Gasket [06]**. (Fig 10.3) The cut length will be the same as **Seal [16]**.
(Fig 10.4)



Step 7

1. Insert **Gasket [04]** into **Wall Jamb [01]**. (Fig 11.1) Place the **Wall Jamb [01]** onto the wall with the gasket facing inside. Use drill to start the **ST4X35 Screws [20]** into the **Anchor [14]**.
2. Next, use a screwdriver to hand tighten until secure. (Fig 11.2) Install the **Caps [21]** to finish the installation. (Fig 11.3)
3. If the **Gasket [04]** is longer than the **Wall Jamb [01]**, cut to correct length. (Fig 11.4)

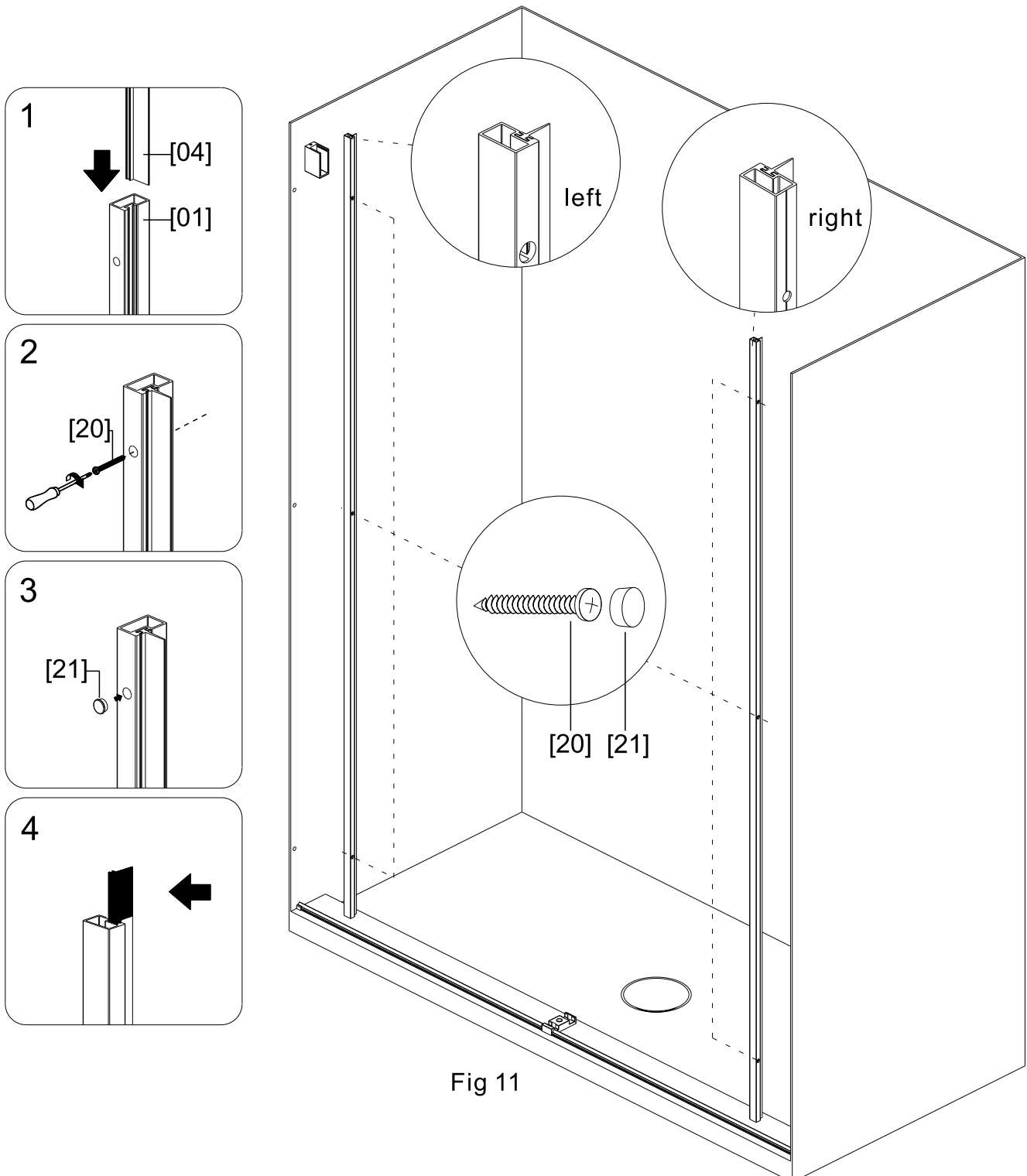


Fig 11

Step 8

1. Install **Support Bar [02]** to **Wall Bracket Assembly**. The groove of the **Support Bar [02]** faces inward. Use a level to ensure the **Support Bar [02]** is horizontally level.
2. If the **Support Bar [02]** isn't level, remove the **Support Bar [02]** again. Find the higher **Wall Bracket Assembly** and loosen the fixed screws for one turn. (Fig 12.1)
3. Turn the hex screw counter-clockwise for one turn, replace the **Support Bar [02]** and check to see if it's horizontally level. If not, repeat this step until it is. (Fig 12.2)
4. Once the **Support Bar [02]** is horizontally level, tighten the screws loosened in step 2, step 3.
5. Reinstall the caps of **Wall Bracket Assembly** and fixed with the **Allen Key [22]**. (Fig 12.3 and Fig 12.4)

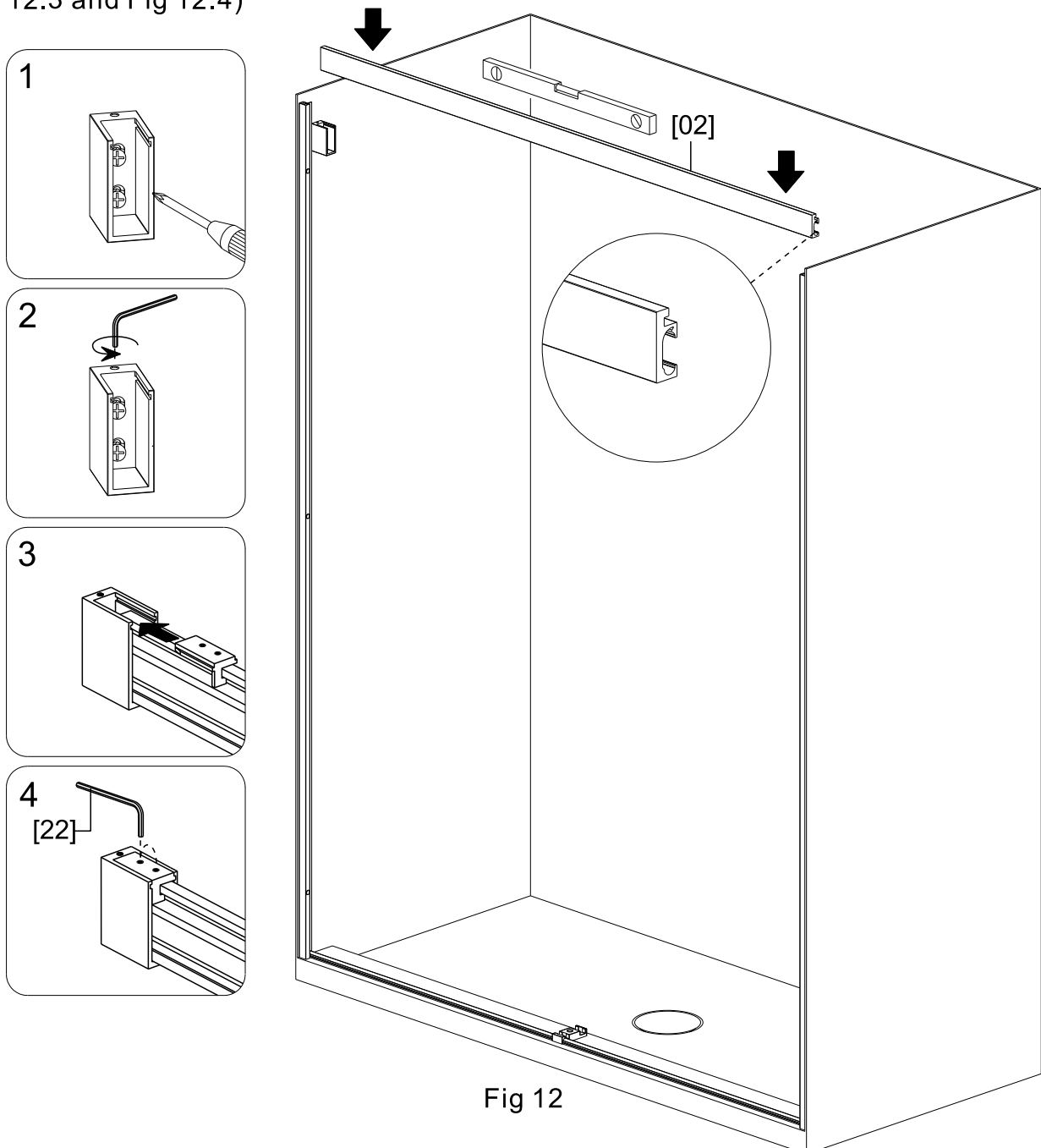


Fig 12



WARNING

To prevent damage to glass and potential injury, make sure to follow the instructions on page 1.

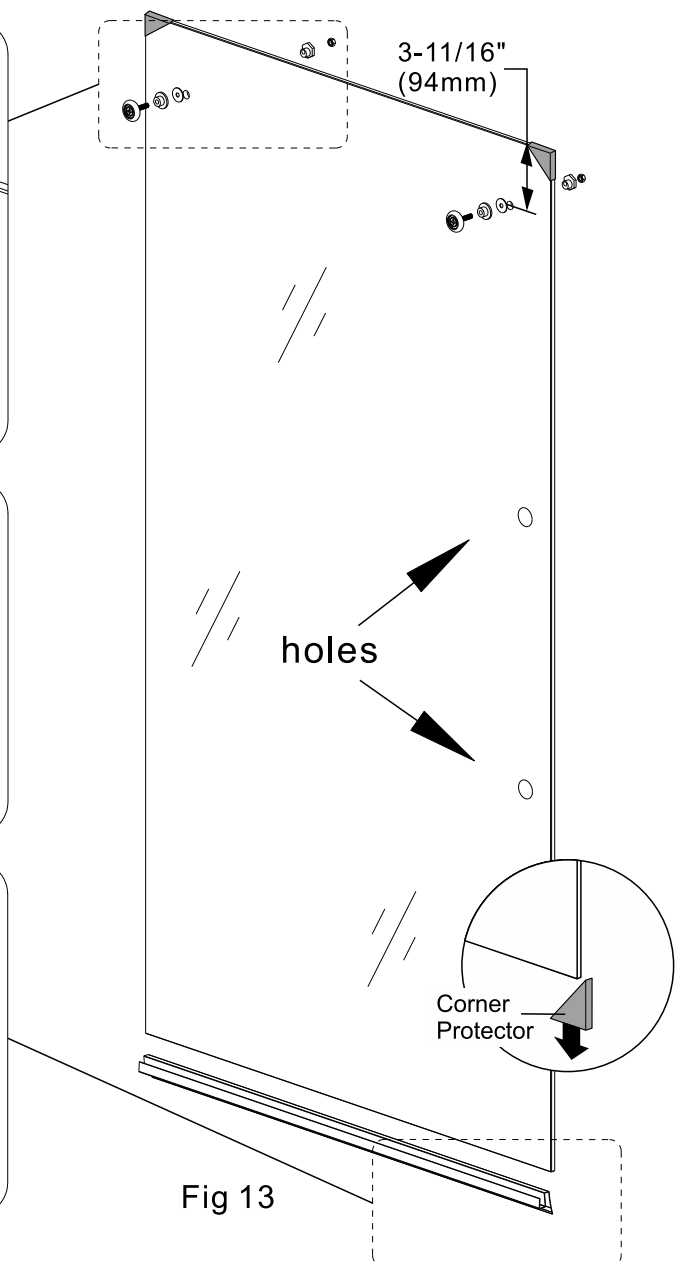
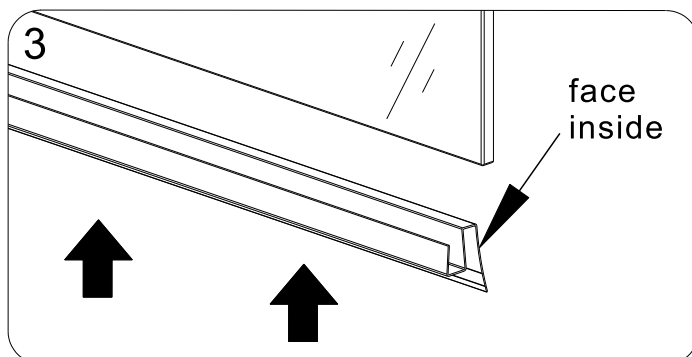
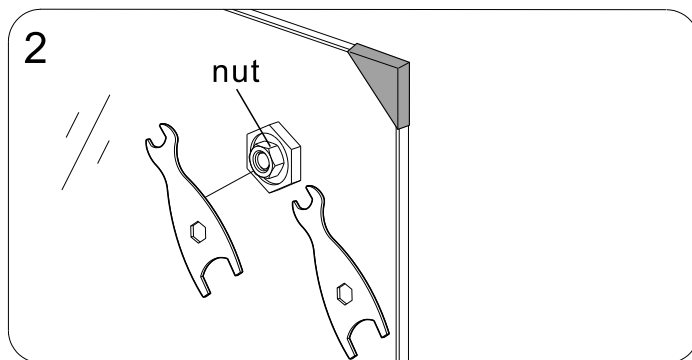
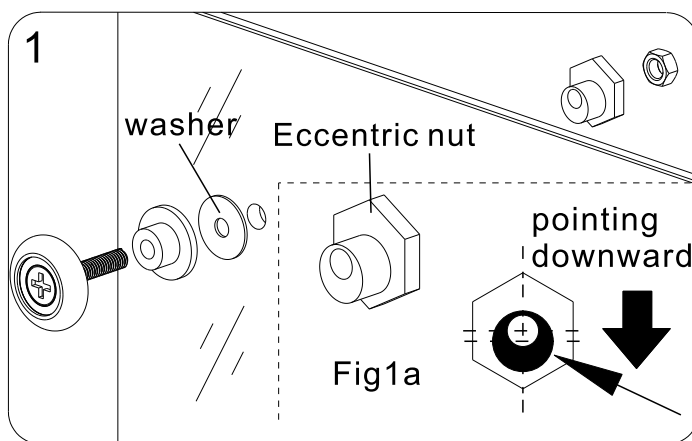
Step 9

1. Install **Inner Wheels [11A]** to the **Door Panel [08B]**. The **washer** should be on the metal part side. (Fig 13.1) Adjust the **Eccentric nut** like the picture below. (Fig 13.1a)

Note: If there are more than one washer for a Inner Wheels [11A], please leave one and remove the others as backup.

2. Use two **Wrenches [12]** in the package to tighten the **Inner Wheels [11A]** (One to hold the **Eccentric nut**, another tighten the **nut**.) (Fig 13.2)

3. Carefully remove the **Corner Protectors** from the bottom of **Door Panel [08B]** and install the **Sealing Strip [07]** to the bottom of it. Make sure it faces the right direction. (Fig 13.3)





WARNING

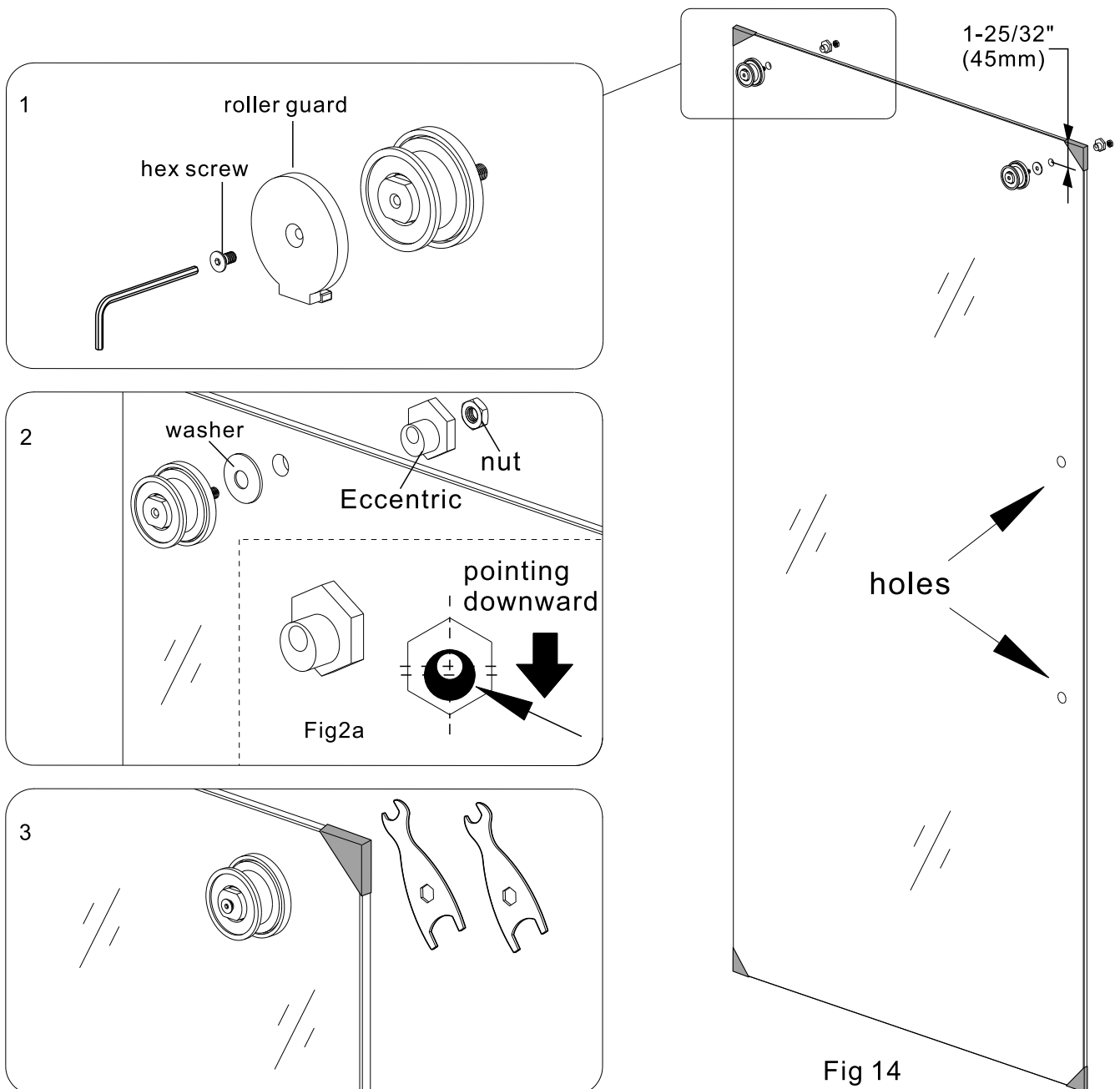
To prevent damage to glass and potential injury, make sure to follow the instructions on page 1.

Step 10

1. Disassemble the hex screw and the **roller guard**. (Fig 14.1)
2. Install **Outer Wheels [10A]** to the **Door Panel [08A]**. The **washer** should be on the metal part side. (Fig 14.2) Adjust the **Eccentric nut** like the picture below. (Fig 14.2a)

Note: If there are more than one washer for a Outer Wheels [10A], please leave one and remove the others as backup.

3. Use the two **Wrenches [12]** to tighten the **Outer Wheels [10A]** (One to hold the **Eccentric nut**, another tighten the **nut**.) (Fig 14.3)





WARNING

To prevent damage to glass and potential injury, make sure to follow the instructions on page 1.

Step 11

1. From inside the shower, hang the inside **Door Panel [08B]** first. Insert left wheel into the notch in the **Support Bar [02]**. Slide the door to the right and insert the other roller wheel into the second notch while inserting the Glass into the **Bottom Guide [17]**. Add some **Lubricant [23]** to the **Inner Wheels [11A]** if necessary. (Fig 15)
2. Next, from outside the shower, hang the Outside **Door Panel [08A]** onto the top of the **Support Bar [02]** and into the **Bottom Guide [17]**. (Fig 16)
3. Attach the roller guards to the **Outer Wheels [10A]** to prevent the Door Panel from being lifted off of the **Support Bar [02]**. Make sure the flange of the roller guard inserts to the groove of the **Support Bar [02]**. (Fig 16)

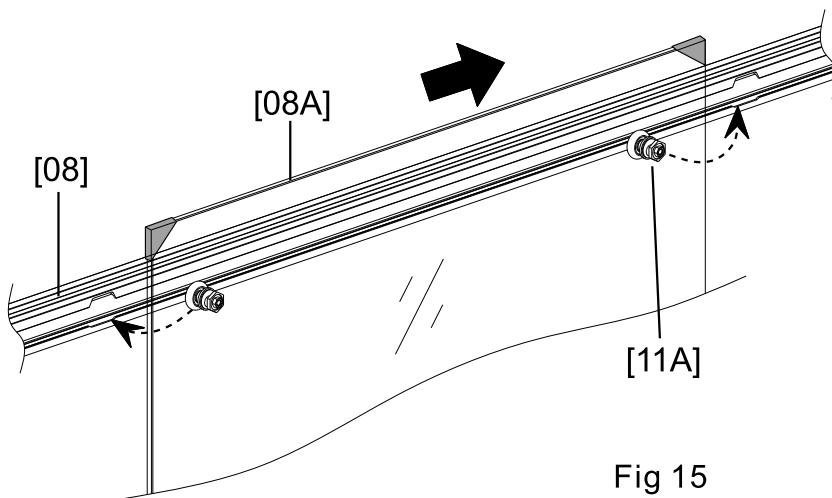


Fig 15

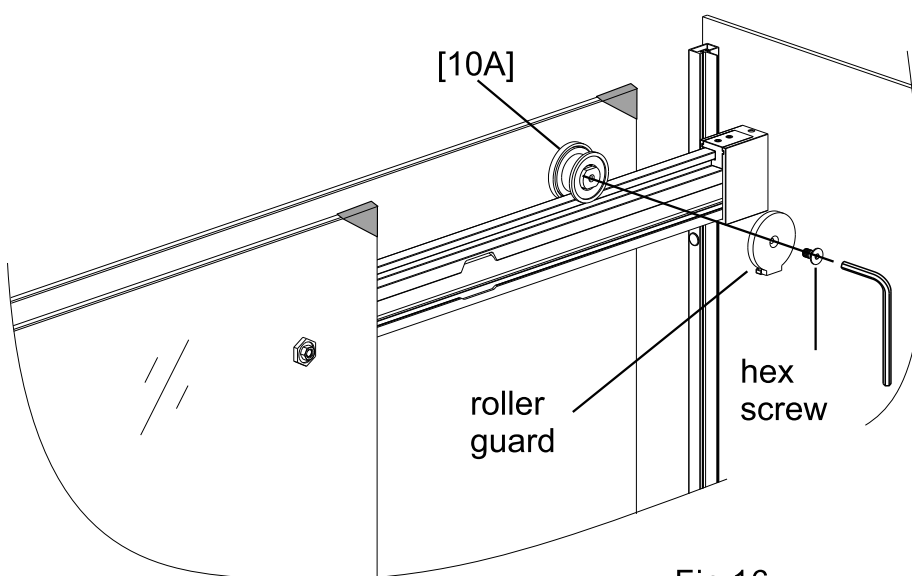
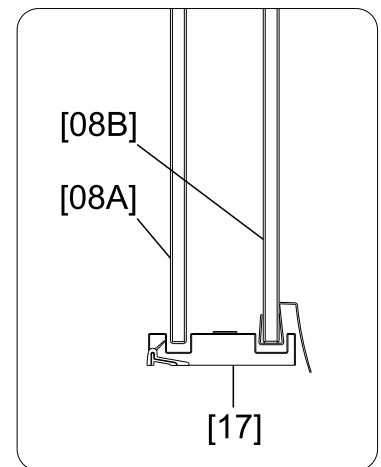
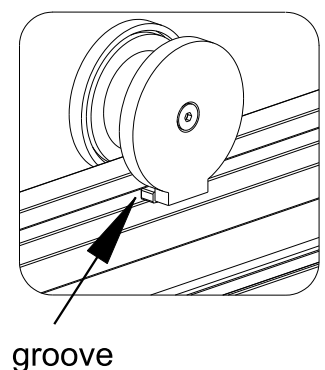


Fig 16



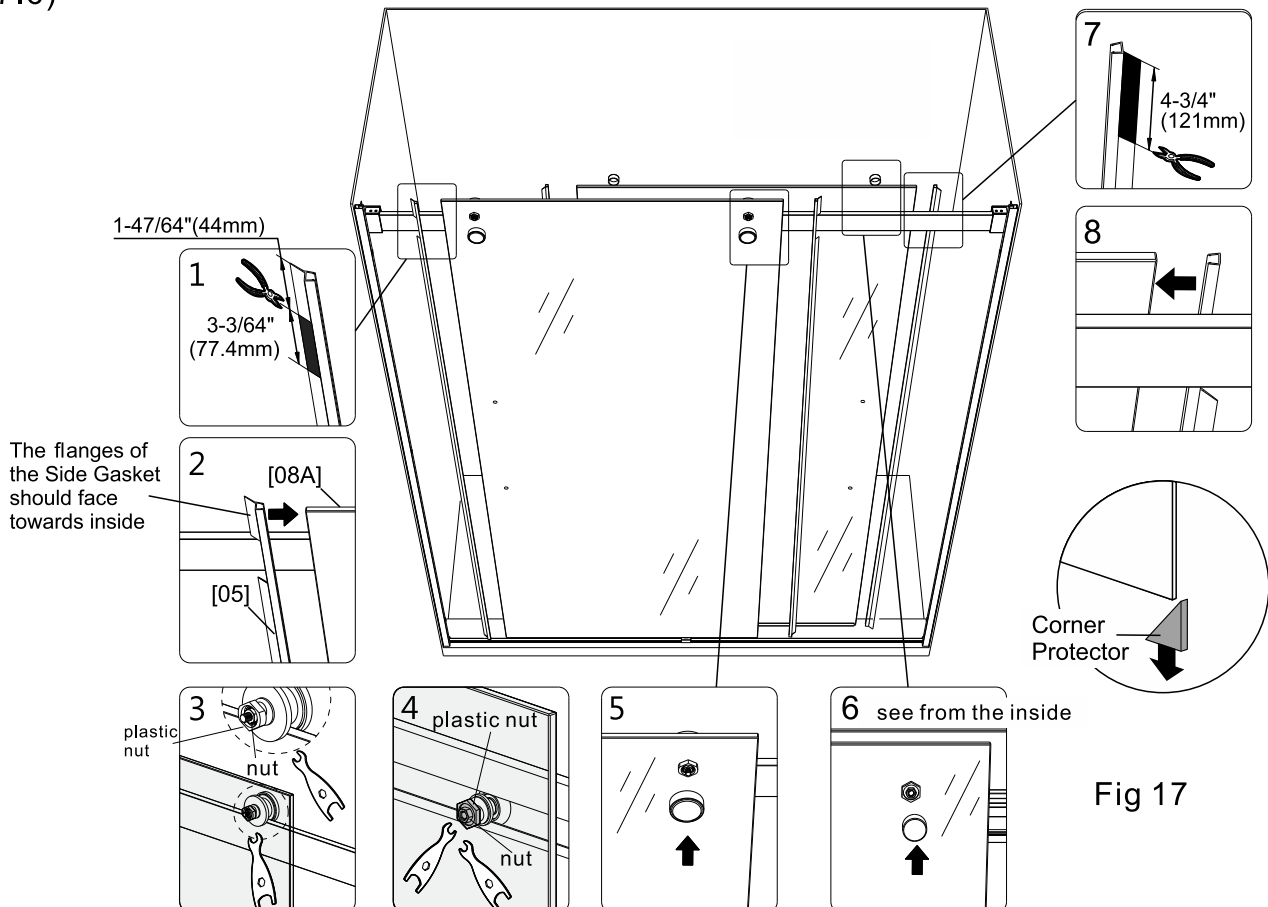


WARNING

To prevent damage to glass and potential injury, make sure to follow the instructions on page 1.

Step 12

1. Carefully remove the **Corner Protectors**. Cut a section from the flange of the two **Side Gaskets [05]** using the measurements from Fig 17.1. Install them on the outside **Door Panel [08A]**. The flanges of the **Side Gaskets [05]** should face towards the inside of the shower. Cut a section from the flange of the other two **Side Gaskets [05]** using the measurements from Fig 17.7. Install them on the inside **Door Panel [08B]**. The flanges of the **Side Gaskets [05]** should face towards the outside of the shower. (Fig 17.8)
2. If needed, the door height at each wheel can be individually adjusted by using the **Wrench [12]**.
 - a. For the **Outer Wheels [10]**, use the **Wrench [12]** in the package to carefully loosen the nut for half a turn. Rotate plastic nut as shown in Fig 17.3. This will raise or lower the **Door Panel [08A]** at this location so that the door panel can be aligned with the wall. Fasten the nut again after the adjustment.
 - b. For the **Inner Wheels [11]**, use one **Wrench [12]** to hold the nut and use the other **Wrench [12]** to rotate the plastic nut as shown in Fig 17.4. This will raise or lower the **Door Panel [08B]** at this location so that the door can be aligned with the wall. If the nuts are loosened too much and can't be tightened again after the adjustment, it will be need to remove the **Door Panel [08B]** from the **Support Bar [02]** and fasten the nut by following Step 9.
4. Install the **Outer Wheels Cover [10B]** and **Inner wheels cover [11B]**. (Fig 17.5 & Fig 17.6)



Step 13

1. Disassemble gaskets by removing handle levers and handle knobs. (Fig 18.1)
 2. **Door Panel [08A]** installation: Install handles and two washers on the outer side of **Door Panel [08A]**. Install gaskets and handle knobs on inner side of **Door Panel [08A]**. Turn handle knobs with Allen Key to secure. (Fig 18.2)
 3. **Door Panel [08B]** installation: Install handles and two washers on the inner side of **Door Panel [08B]**. Install gaskets and handle knobs on outer side of **Door Panel [08B]**. Turn handle knobs with Allen Key to secure. (Fig 18.2)
- IMPORTANT:** Ensure gaskets and washers are placed on each side of glass.

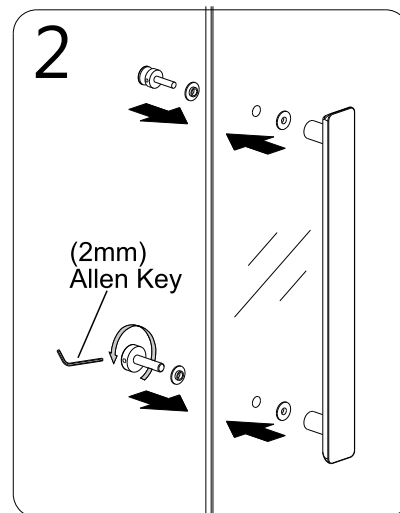
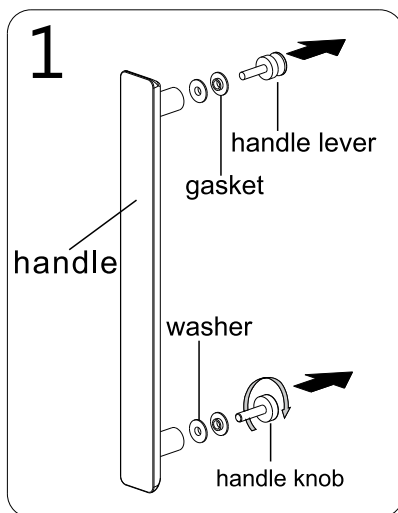


Fig 18

Step 14

1. Apply a good quality Silicone Sealant on the walls and threshold along the bottom profile and wall profiles. (Fig 19)



Allow 24 hours for the silicone to fully cure before using the shower.

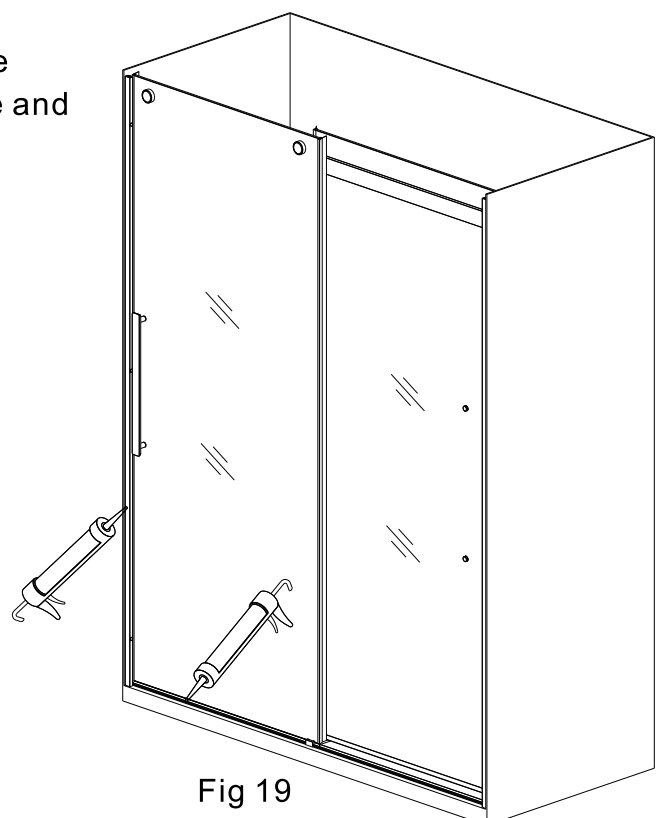
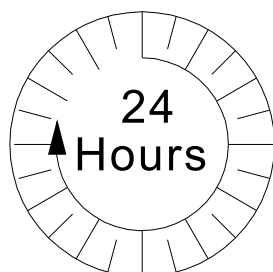


Fig 19

Care & Maintenance

BASES and BACK WALLS: Wipe them off after each use with a soft cloth. To clean the acrylic surface, use non-abrasive sprays or cream based cleaners. Avoid the use of aerosol spray cleaners. Never use abrasive cleansers, metal brushes, or scrapers, as they can scratch or dull the surface.

GLASS: Wipe off the glass after each use with a soft cloth or a squeegee to prevent soap buildup and water spots (hard water can etch the surface of the glass over time if left to dry). To avoid damaging the surface, never use abrasive cleaners or cleaning products that contain scouring agents. Likewise, never use bristle brushes or abrasive sponges that can scratch the surface.

HARDWARE: To ensure a long-lasting finish, wipe off the metal parts after using with a soft cloth. Do not use abrasive cleaners or cleaning products containing ammonia, bleach, or acid. If accidentally used, rinse the surface as soon as possible to prevent damage to the finish (peeling or corrosion). After cleaning the polished finishes, rinse thoroughly and wipe dry with a soft cloth. Clean stainless steel surfaces at least once a week. When applying stainless steel cleaner or polish to stainless steel hardware, work with (not across) the grain. Never use an abrasive sponge or cloth, steel wool, or wire brush, which may permanently scratch the surfaces.

NOTE: Regularly inspect the glass and all hardware for misalignment, proper attachment, and damage. Contact ANZZI with any questions or concerns.

