

I PORT CONNECT

HANDSTAND



72365 - CONNECT HANDSTAND

I PORT CONNECT

HANDSTAND

I PORT CONNECT DOCK Install Manual

Thank you for purchasing the all new IPORT CONNECT Platform. We hope you enjoy this revolutionary new system and if at any time you need more assistance please contact IPORT Tech Support via Online chat or through our help desk.

- IPORT Team

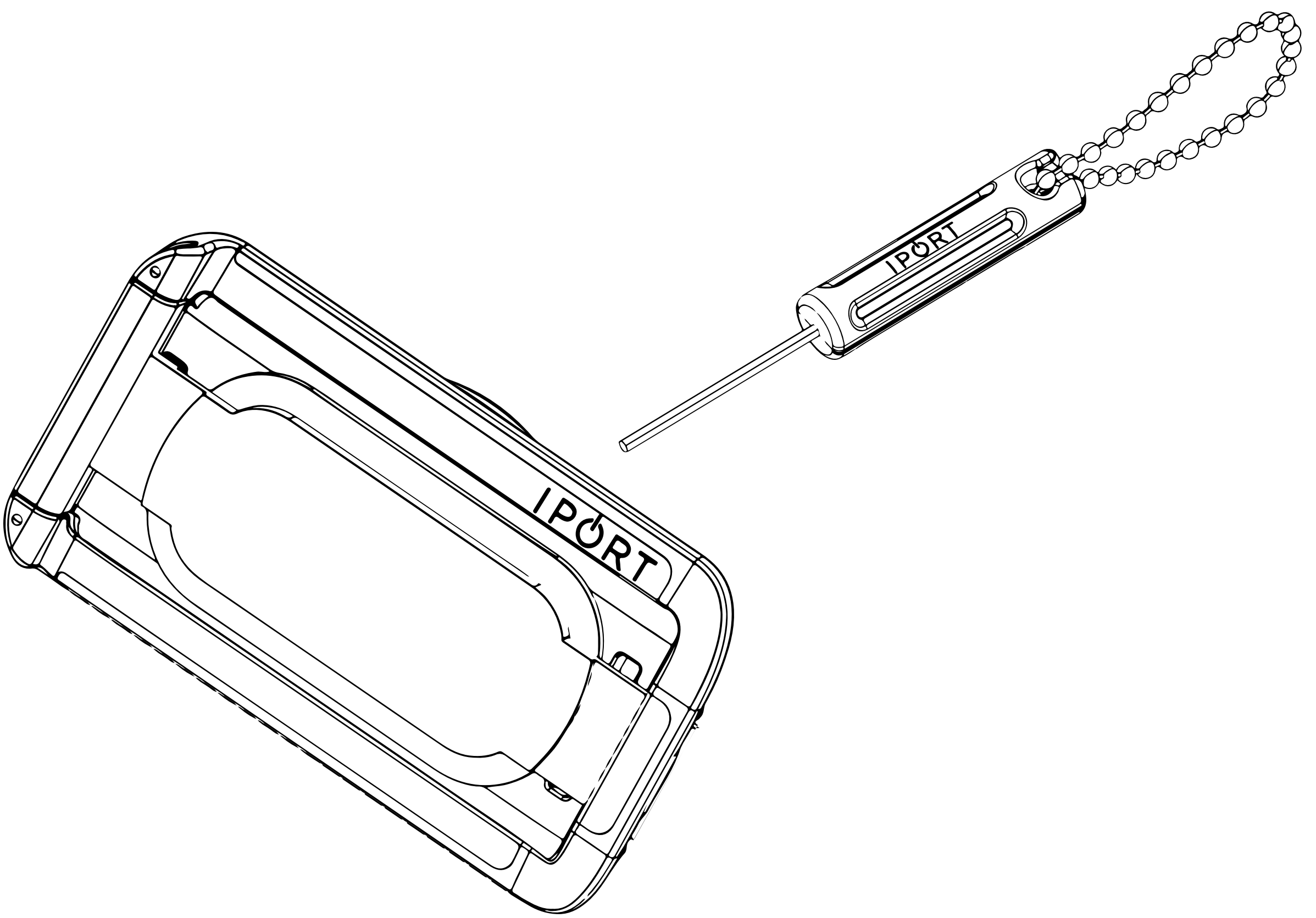
Whats in box:

- 1 - CONNECT HANDSTAND
- 1 - IPORT SECURITY TOOL
- 1 - Info Card

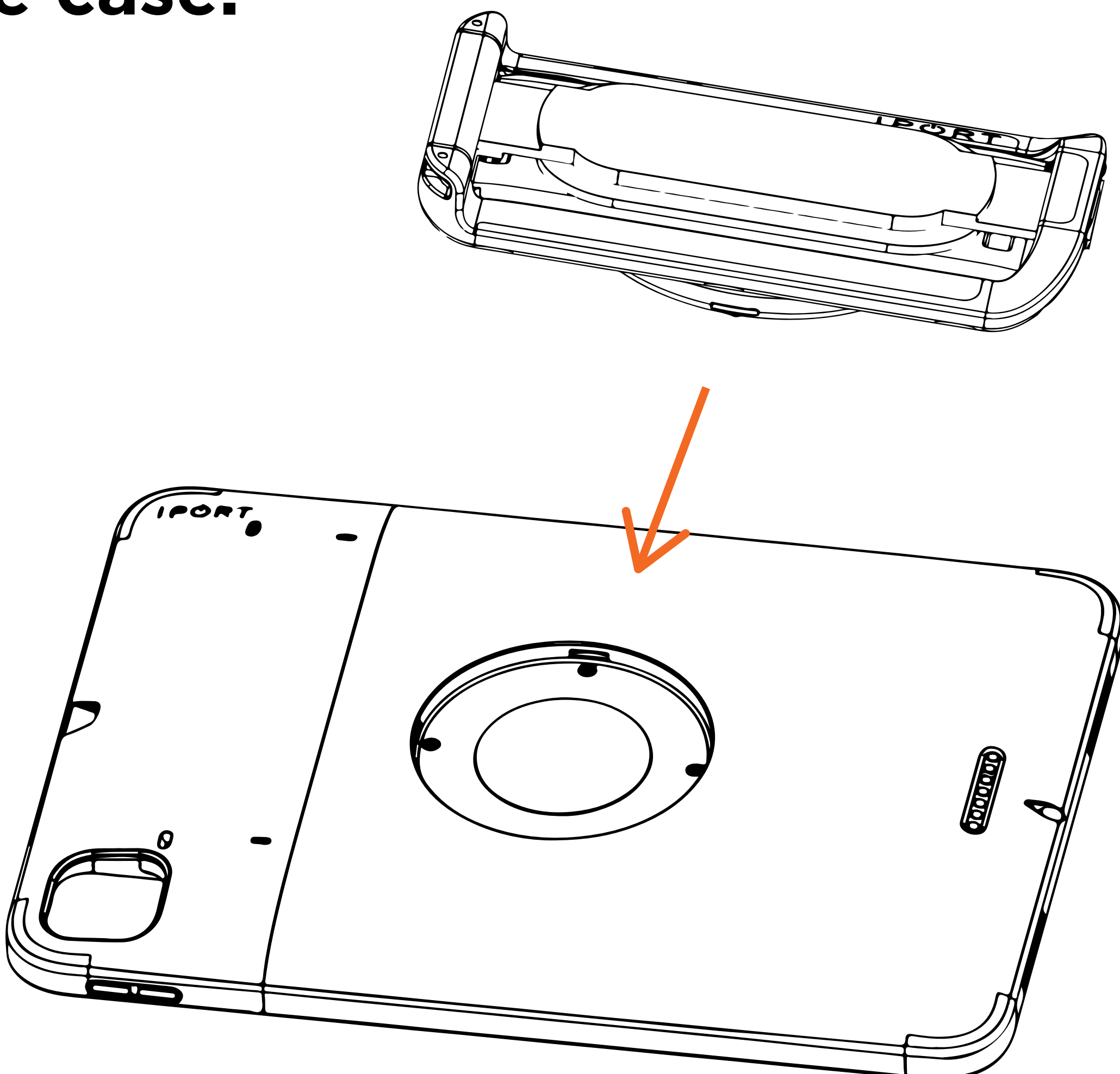
I PORT CONNECT

HANDSTAND

1. Remove HANDSTAND, Security tool, and CONNECT CASE (sold separate) from the box and place on a table.



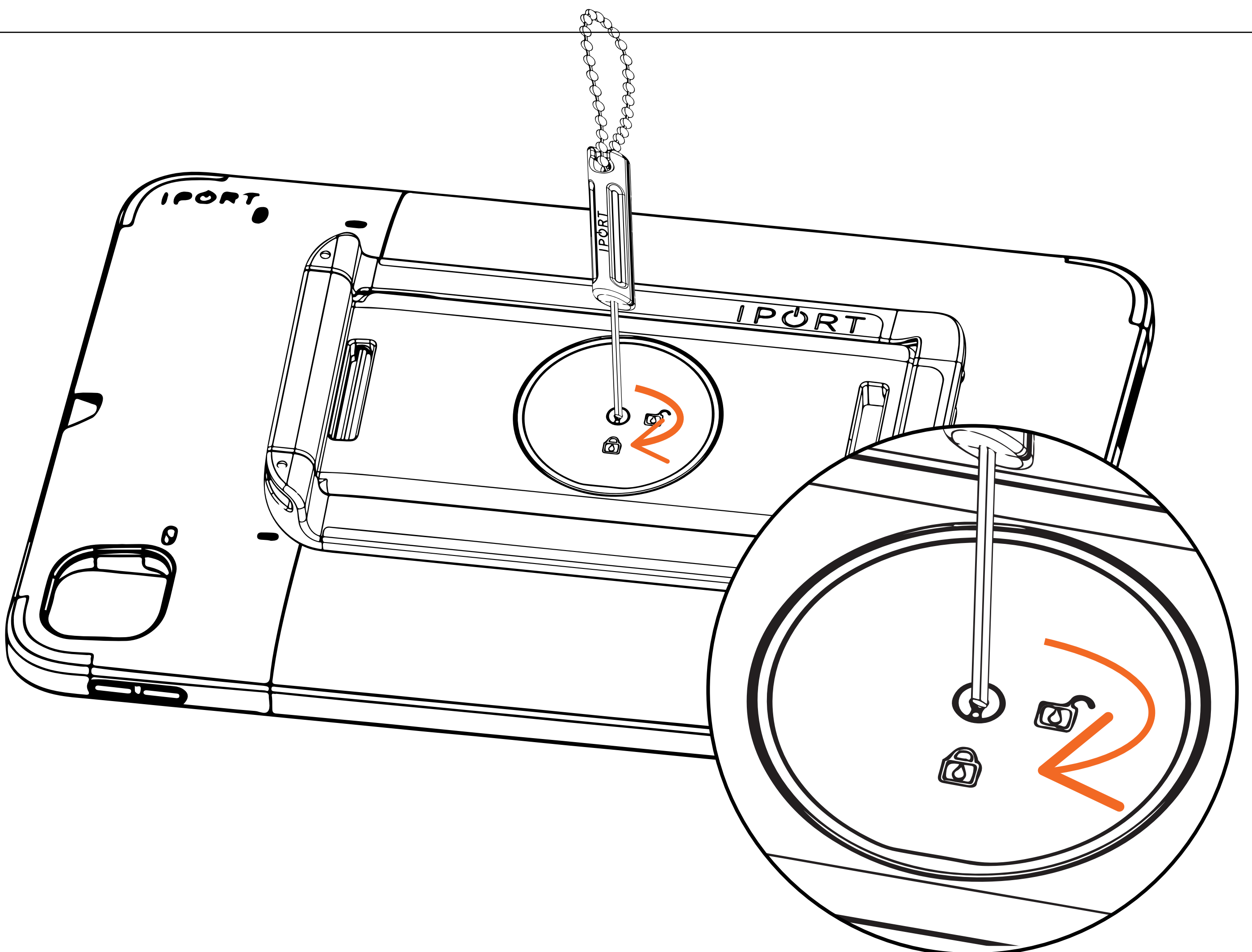
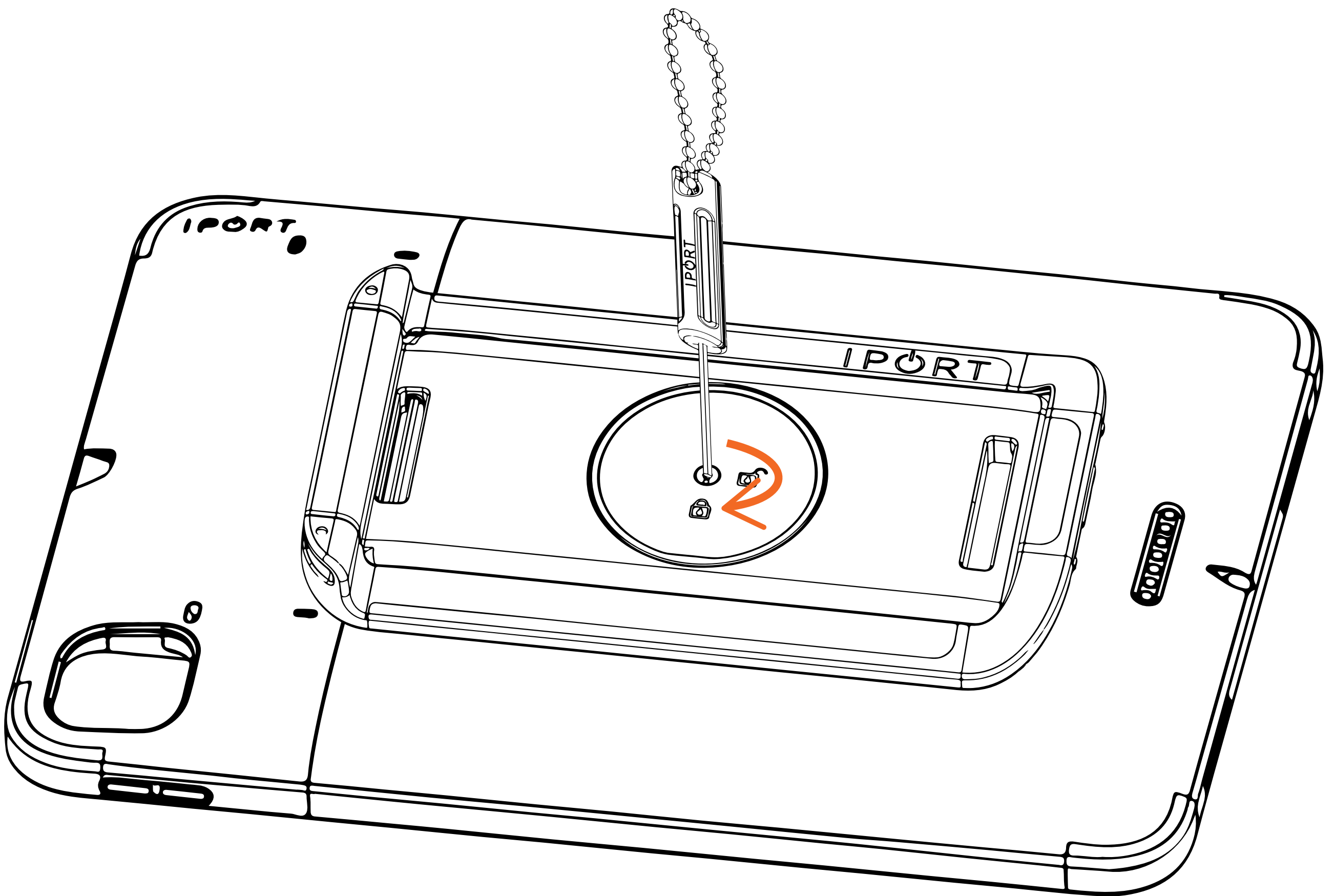
2. Place the Case flat on a table and place the hand stand into the recess on the case.



I PORT CONNECT

HANDSTAND

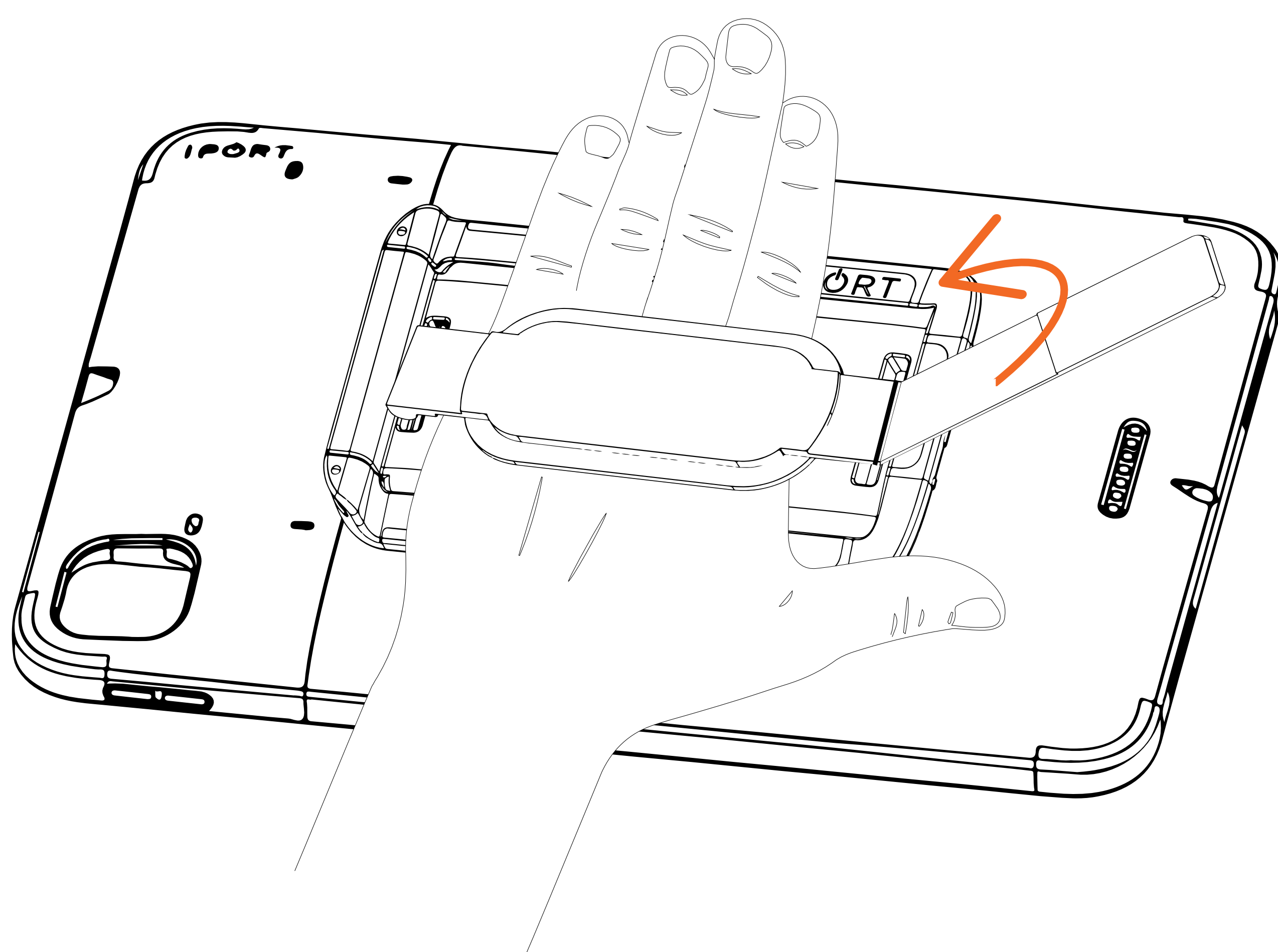
- 3. Loosen and move the hand strap to reveal the integrated lock mechanism. Insert the Security tool into the lock and turn the tool clockwise toward the “Lock” icon.**



I PORT CONNECT

HANDSTAND

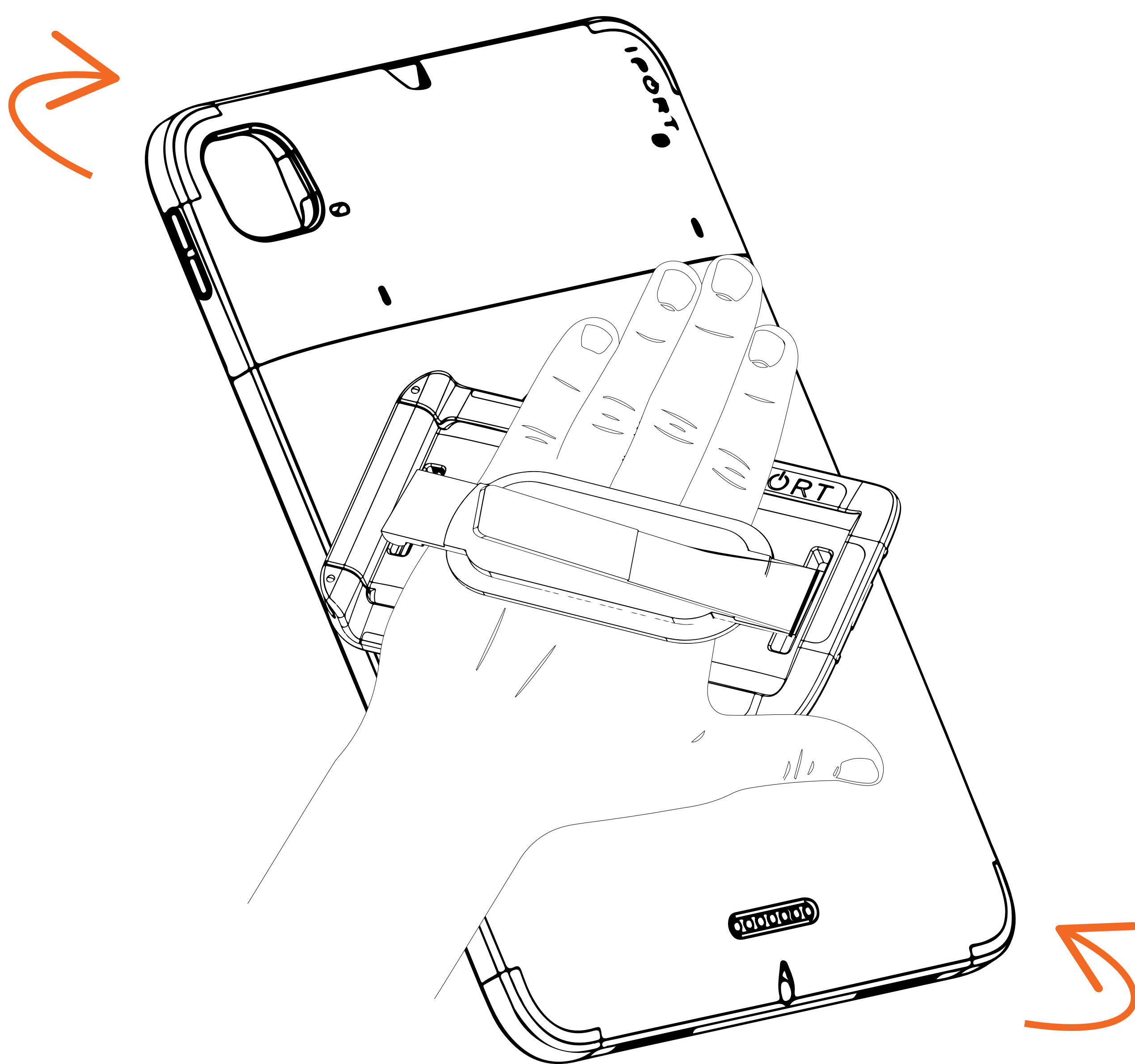
- 4. Place your hand under the strap and adjust the Velcro to secure the strap comfortably to your hand.**



I PORT CONNECT

HANDSTAND

- 5. Once the stap is secured to your hand you can rotate the iPad in any direction that is comfortable to use.**



I PORT CONNECT

HANDSTAND

- 6. The CONNECT Hand Stand can also be used as a stand to hold and support the iPad on a desk or table. Simply rotate the stand out away from the iPad and set your desired viewing angle.**

