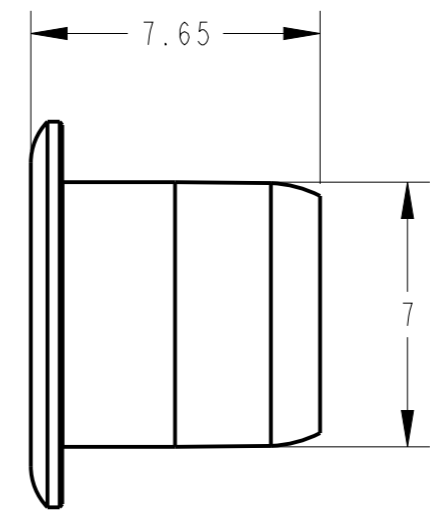
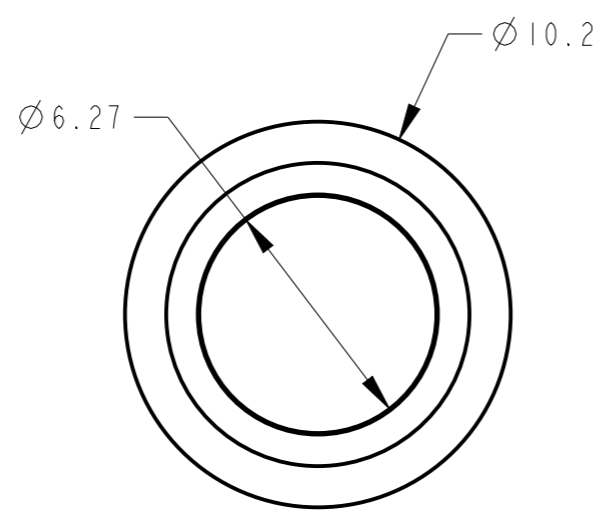
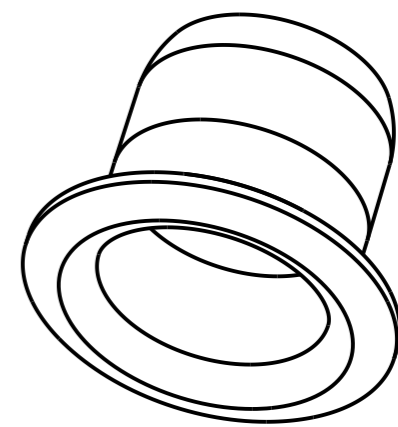


8 7 6 5 4 3 2 1

F
E
D
C
B
A

ITEM	FINISH
I284AB	ANTIQUÉ BRASS
I284BLK	BLACK
I284BN	BRIGHT NICKEL
I284PB	POLISHED BRASS



USE 7.5mm Ø DRILL



HARDWARE RESOURCES RESERVES THE RIGHT TO CHANGE SPECIFICATIONS WITHOUT NOTICE. IN CASE OF A DISCREPANCY, ACTUAL PART GEOMETRY SUPERSEDES THIS DOCUMENT.

THE INFORMATION CONTAINED WITHIN THIS DRAWING IS THE SOLE PROPERTY OF HARDWARE RESOURCES INC. ANY REPRODUCTION IN PART OR WHOLE WITHOUT WRITTEN PERMISSION OF HARDWARE RESOURCES INC. IS PROHIBITED.

DOCUMENT STATUS		Released
UNLESS OTHERWISE SPECIFIED DIMENSIONS ARE IN MILLIMETERS (MM)		
MATERIAL	FINISH	
STEEL	SEE TABLE	
THIRD ANGLE PROJECTION		DATE
		09DEC2022

DESCRIPTION		
GROMMET, 1/4in PIN DIAMETER		
DRAWING NUMBER		REV
1284		A
SIZE	SCALE	SHEET
A3	5.000	1 / 1

8 7 6 5 4 3 2 1