




# Location:



## S-5404-TRM, S5404TRMTC Tub/Hand Shower Trim Specification Submittal

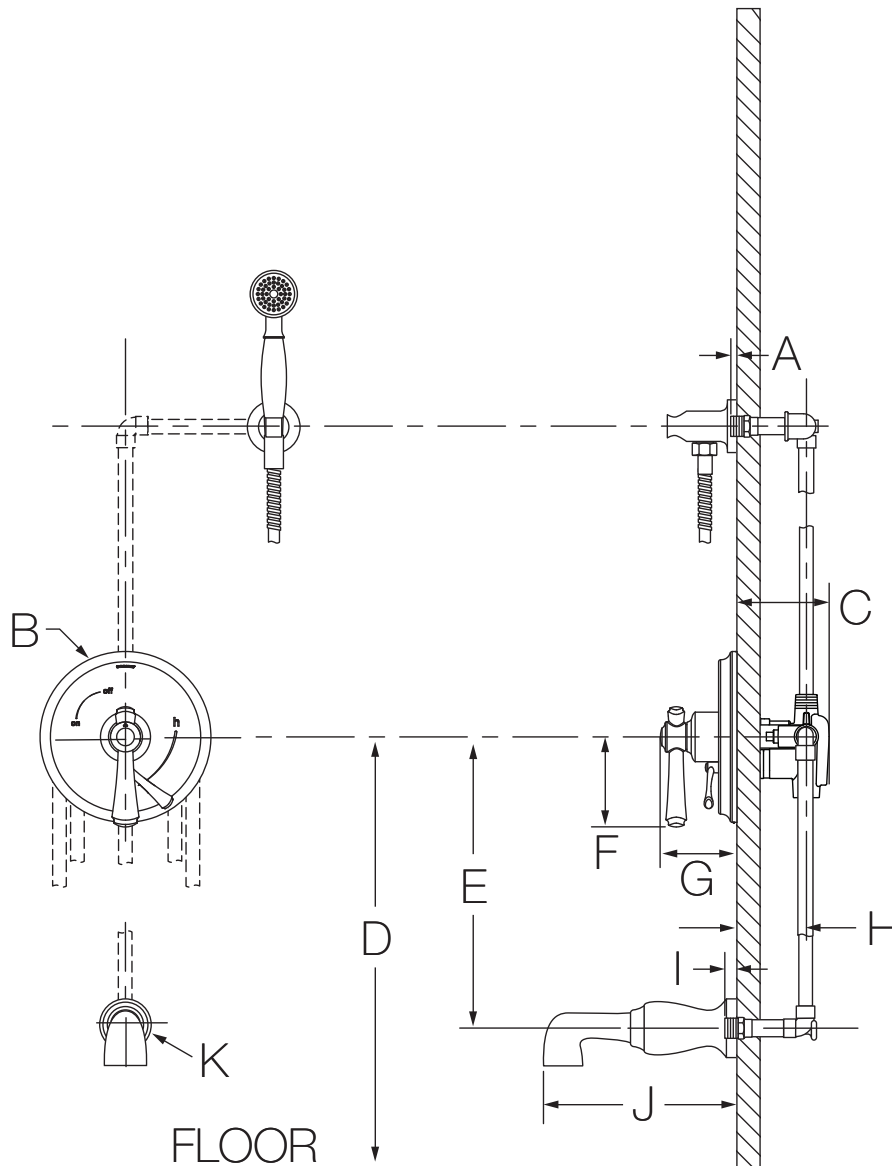


Feature Highlights	Options/Modifications
<ul style="list-style-type: none"> <li>• Degas Tub/Hand Shower Trim</li> <li>• Requires Temptrol® Pressure Balancing Tub/Shower Valve</li> <li>• Integral diverter control</li> <li>• Metal lever handle</li> <li>• 8-1/16" non-diverter tub spout</li> <li>• Cradle for hand shower wand</li> <li>• 60" flexible metal hose</li> <li>• 1 mode hand shower</li> <li>• Dual checks for backflow protection</li> <li>• 2.0 gpm (7.6 L/min) flow restrictor</li> <li>• Components shall be metal and nonmetallic construction, plated in standard Polished Chrome finish</li> <li>• Available with TA-10 flow control spindle and T-12A cap assembly for Temptrol valve bodies installed with Test Cap (order p/n S5404TRMTC)</li> <li>• For optional in-line vacuum breaker order p/n EF-109</li> </ul>	<ul style="list-style-type: none"> <li><input type="checkbox"/> <b>-1.5</b>  1.5 gpm (5.7 L/min) flow restrictor</li> <li><input type="checkbox"/> <b>-L2</b> Less hand shower wand</li> <li><input type="checkbox"/> <b>-L5</b> Less hand shower system</li> <li><input type="checkbox"/> <b>-STN</b> Satin Nickel finish</li> </ul> <p><b>Note:</b> Append appropriate -suffix to model number.</p>
	<h3>Compliance</h3> <ul style="list-style-type: none"> <li>• ASME A112.18.1/CSA B125.1</li> </ul> 
Model Numbers	Warranty
<ul style="list-style-type: none"> <li><input type="checkbox"/> <b>S-5404-TRM</b> Tub/Hand Shower Trim with integral diverter control, Temptrol Pressure Balancing Tub/Shower Valve ordered separately</li> <li><input type="checkbox"/> <b>S5404TRMTC</b> Tub/Hand Shower Trim with integral diverter control, TA-10 flow control spindle and T-12A cap assembly, must order Temptrol valve with Test Cap</li> </ul>	<p><b>Limited Lifetime</b> - to the original end purchaser in consumer/residential installations.</p> <p><b>10 Years</b> - for commercial/industrial installations. Refer to <a href="http://www.symmons.com/warranty">www.symmons.com/warranty</a> for complete warranty information.</p> 

## Architectural/ Engineering Specification

Symmons Carrington \_\_\_\_\_ with Degas Tub/Hand Shower Trim, Requires Temptrol® Pressure Balancing Tub/Shower Valve, Integral diverter control, Metal lever handle, 8-1/16" non-diverter tub spout, Cradle for hand shower wand, 60" flexible metal hose, 1 mode hand shower, Dual checks for backflow protection, 2.0 gpm (7.6 L/min) flow restrictor, Components shall be metal and nonmetallic construction, plated in standard Polished Chrome finish, Available with TA-10 flow control spindle and T-12A cap assembly for Temptrol valve bodies installed with Test Cap, For optional in-line vacuum breaker order p/n EF-109. 10 Year commercial Warranty. ASME A112.18.1/CSA B125.1 complaint. Available options include. " 1.5 - 1.5 gpm (5.7 L/min) flow restrictor", " L2 - Less hand shower wand", "L5 - Less hand shower system", " STN - Satin Nickel finish".

## Dimensions



Measurements	
A	Male 1/2" IPS fitting must protrude 3/8" (10 mm) from finished wall
B	Ø 7", 178 mm
C	3-1/2", 89 mm
D	Ref. 32", 813 mm
E	Ref. 12", 305 mm
F	3-3/4", 95 mm
G	4-1/4", 108 mm
H	Rough-in 2-3/8" ± 1/2", 60 mm ± 13 mm
I	Male 1/2-14 NPT fitting must protrude 1/2" (13 mm) from finished wall
J	8-1/16", 205 mm
K	Ø 2-1/2", 64 mm

### Notes:

- 1) Valve body and piping not included and shown as reference only.
- 2) Plaster shield (p/n T-176) for dry wall, plaster or other type walls 1/2" or greater.
- 3) All dimensions measured from nominal rough-in (see H as reference).
- 4) Dimensions subject to change without notice.