

2661

\*\*\*\*\*

**CAUTION** - Read instructions carefully and turn electricity off at service entrance before installing, wiring, or servicing this product.

**WARNING** - Do not energize electrical supply circuit to receiver until all connections have been made and tested in accordance with all applicable electric codes.

**WARNING** - This product contains chemicals known to the State of California to cause cancer, birth defects and /or other reproductive harm. Thoroughly wash hands after installing, handling, cleaning, or otherwise touching this product.

\*\*\*\*\*

This remote control is designed to separately control your ceiling fan speed and light brightness. There are four buttons (HI, MED, LOW, OFF) to control the fan speed and off. The light dimmer button will control the light brightness dimmer and off. The red indicator on the transmitter will light when the button is pressed.

**INSTALLATION AND OPERATING INSTRUCTION**

1. SETTING THE CODE:

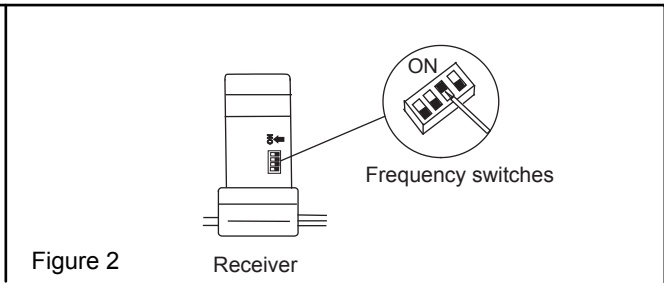
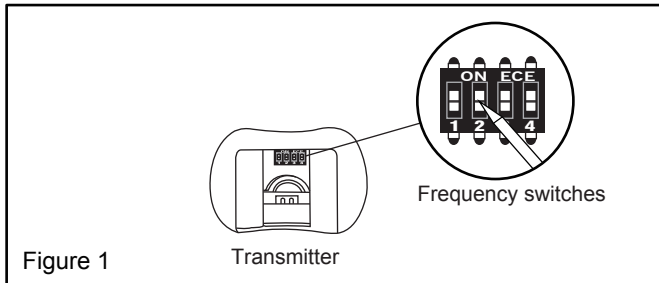
This unit has 16 different code combinations. To set the code, perform these steps:

A. Setting the code on the transmitter:

- a. Removed battery cover. Press firmly below arrow and slide battery over off.
- b. Slide code switches to your choice of up or down position. (Factory setting is all up.) Do not use this position. Use a small screwdriver or ball point pen to slide firmly up or down (Figure 1).

B. Setting the code on the receiver:

- a. Slide code switches to the same positions as set on your transmitter (Figure 2).
- b. Replace battery cover on transmitter.



2. INSTALLING RECEIVER IN CEILING FAN

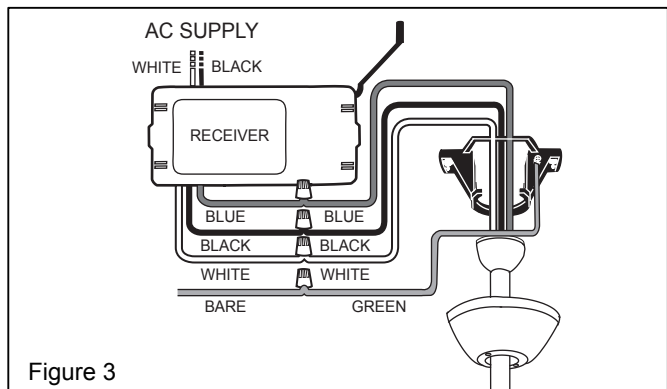
A. Safety Precautions:

- \* **WARNING: HIGH VOLTAGE!** Disconnect source of electrical power by removing fuse or switching off circuit breaker.
- \* Do not use with solid state fans.
- \* Electrical wiring must meet all local and national electrical code requirements.
- \* Electrical source and fan must be 115/120 volt, 60 Hz. Maximum fan motor amps: 1.0, Maximum light watts: 250 - incandescent only.
- \* Household electrical power can cause serious injury or death!

B. Installing Receiver in Fan:

- a. Remove electrical power from the circuit.
- b. Remove ceiling fan canopy from the mounting bracket.
- c. Disconnect existing wiring between ceiling fan and supply at electrical junction box.
- d. Make connections as follows, using the wire nuts supplied: (Figure 3)

CONNECT	TO
Green fan wire.....	Bare supply wire
Black receiver wire (AC IN L).....	Black supply wire
White receiver wire (AC IN N).....	White supply wire
White receiver wire (TO MOTOR N).....	White fan wire
Black receiver wire (TO MOTOR L) .....	Black fan wire
Blue receiver wire (FOR LIGHT).....	Blue light wire



If other fan or supply wires are different color, have this unit installed by qualified licensed electrician.

- e. Push all connected wires up into junction box.
- f. Lay the black antenna wire on top of the receiver, and put the receiver in the mounting bracket.
- g. Reinstall the canopy on the mounting bracket.
- h. Restore electrical power.

3. OPERATING TRANSMITTER: (Figure 4)

- A. Install two 3 volt (#2032) volt battery (included). (To prevent damage to transmitter, remove the battery if for long periods).
- B. Store the transmitter away from excess heat or humidity.
- C. This remote control unit is equipped with 16 code combinations, to prevent possible interference from or to other remote units such as a garage door opener, car alarm or security system. If you find that your fan and light kit go on and off without using your remote control, simply change the combination code in your transmitter and receiver.
- D. To operate buttons on the panel of the transmitter:

- OOO key - for fan high speed
- OO key - for fan medium speed
- O key - for fan low speed
- ⏻ key - for fan speed off
- 🔆 key - for light brightness and off.

- \* The light function is controlled by pressing the 🔆 key. Hold key down to increase or decrease light. Tap 🔆 key quickly to turn light off or on.
- \* Keep pressing the button in excess of 0.7 seconds it becomes dimmer. The light varies cyclically every 0.8 seconds.
- \* The light key has auto resume, so it will stay at the same brightness as the last time it was turned off.

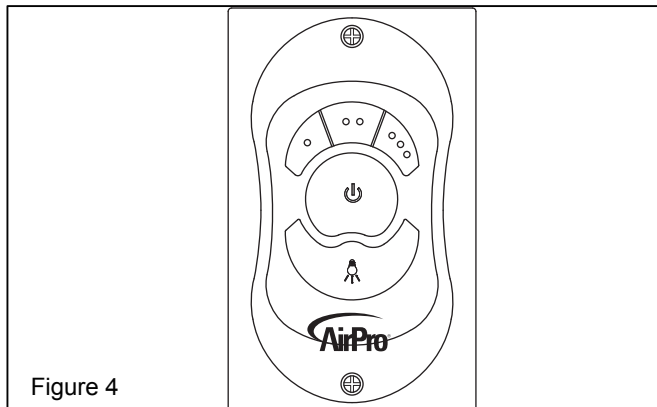


Figure 4

YOUR REMOTE NOW HAS FULL CONTROL OF THE FAN AND LIGHT.

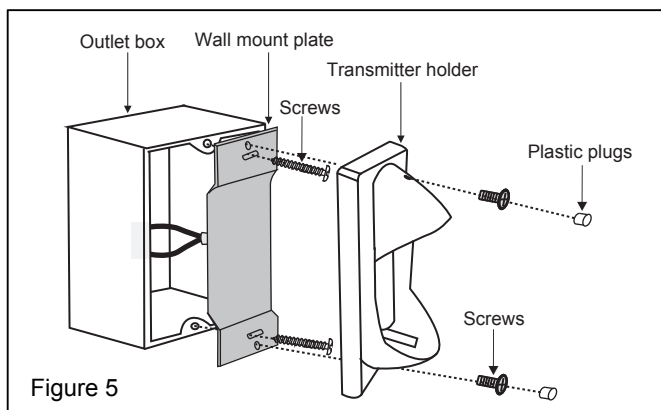


Figure 5

"Optional Wall Mounting for Transmitter Holder"

Place in accessible area of your home, and screw the wall mount plate and transmitter holder into the wall using the four screws provided. Slide hand unit into holder. (Figure 5)

4. TROUBLESHOOTING GUIDE

- A. Fails to operate:
  - a. Power to the receiver?
  - b. The receiver is connected correctly?
  - c. The manual fan speed control is in its highest position?
  - d. Is the light kit switch on?
  - e. A good battery is in the transmitter?
  - f. Is the code placed in the same positions on the transmitter and the receiver?
- B. Won't operate at distance:
 

If transmitter operates the fan and the light kit when up close, but not a 30 feet away, try placing the black antenna wire higher; up through the ceiling, outside the junction box.

NOTICE!

Your ceiling fan and light kit assembly must meet the following requirements:

- a. Do not use with solid state fans.
- b. Electrical rating: 120V / 60 Hz 3.5 A
  - MAX. motor amps: 1.0 A
  - MAX. light watts: 250 W

Customer Service: 1-800-447-1723