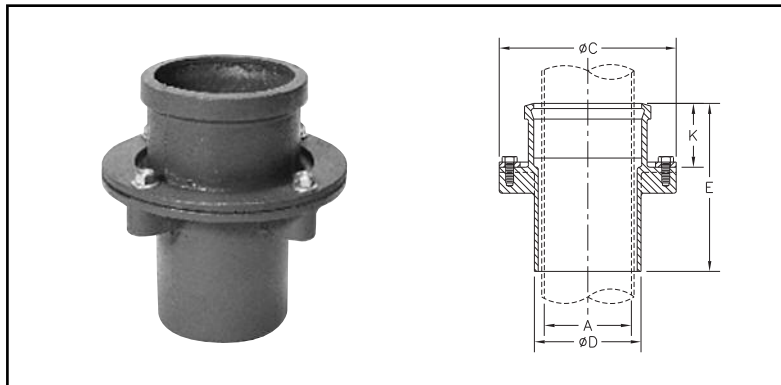


Z195 VENT STACK FLASHING SLEEVE



Dimensions in Inches [mm]				Approx. Wt. Lbs. [Kg]
A Pipe Size	C	D	K	
1-1/2 [38]	6-1/2 [165]	2-5/8 [67]	3 [76]	12 [6]
2 [51]		3-1/8 [79]		11 [5]
3 [76]	8-1/2 [216]	4-1/4 [108]	3-1/8 [79]	13 [6]
4 [102]		5-1/4 [133]		18 [8]
5 [127]	9-1/2 [241]	6-1/2 [165]	2-1/2 [64]	20 [9]
6 [152]	10-1/2 [267]	7-1/2 [191]	3-1/8 [79]	26 [12]
8 [203]	14-1/2 [368]	9-3/4 [248]	2-3/4 [70]	52 [24]
10 [254]	16-1/2 [419]	11-5/8 [295]		45 [21]
12 [305]	18-1/2 [470]	13-5/8 [346]		60 [27]

ENGINEERING SPECIFICATION: ZURN Z195 Vent Stack Flashing Sleeve, Dura-Coated cast iron body with fixed position combination membrane flashing flange and clamp.

OPTIONS

CONNECTION (Specify pipe size in inches and type of outlet.)

CONNECTION TYPE	CONNECTION DESIGNATION Pipe Size/Outlet Type	'E' BODY HT. DIM. In./[mm]
Inside Caulk	1.5IC, 2IC	8" [203 mm]
	3IC, 4IC, 6IC	8-1/8" [206 mm]
	5IC	8-1/2" [216mm]
	8IC, 10IC, 12IC	8-3/4" [222mm]

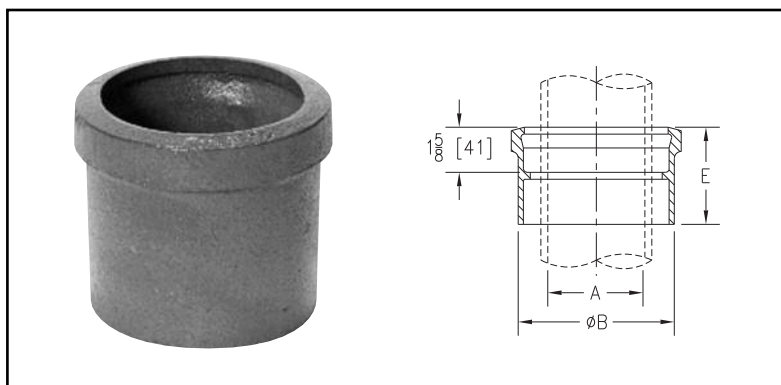
PREFIXES

Z D.C.C.I. Body*

SUFFIXES

- CF Bottom Clamping Flange
- G Galvanized Cast Iron

Z196 VENT STACK FLASHING SLEEVE



Dimensions in Inches [mm]		Approx. Wt. Lbs. [Kg]
A Pipe Size	B	
1-1/2 [38]	3 [76]	2 [1]
2 [51]	3-1/2 [89]	3 [1]
3 [76]	4-3/4 [121]	4 [2]
4 [102]	5-5/8 [143]	
5 [127]	6-3/4 [172]	6 [3]
6 [152]	7-3/4 [197]	7 [3]

ENGINEERING SPECIFICATION: ZURN Z196 Vent Stack Flashing Sleeve, Dura-Coated cast iron body, inside caulk type.

OPTIONS

CONNECTION (Specify pipe size in inches and type of outlet.)

CONNECTION TYPE	CONNECTION DESIGNATION Pipe Size/Outlet Type	'E' BODY HT. DIM. In./[mm]
Inside Caulk	1.5IC, 2IC, 3IC, 4IC, 5IC, 6IC	3-1/2" [89 mm]

PREFIXES

Z D.C.C.I. Body*

SUFFIXES

- G Galvanized Cast Iron

*Regularly furnished unless otherwise specified.