

KOHLER® Faucets

Deck- or wall-mount bath faucet handle trim with cross design

Purist®
K-T14429-3

Material

- Brass
- Brass valve bodies
- KOHLER finishes resist corrosion and tarnishing

Installation

- Bath- or deck-mount

Required Products/Accessories

K-300-K 1/2" ceramic high-flow valve system

or

K-300-KR 1/2" ceramic high-flow valve

or

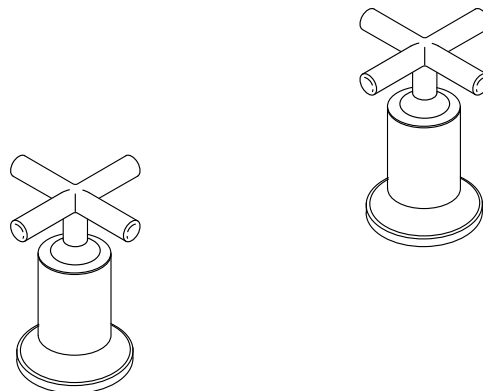
K-301-K 3/4" high-flow bath valve

or

K-302-K 1/2" Ceramic In-Wall Valve System

Recommended Products/Accessories

- K-14375 24" Double Towel Bar
- K-14377 Pivoting toilet paper holder
- K-14435 18" Towel Bar
- K-14436 24" Towel Bar
- K-14441 Towel Ring
- K-14443 Robe Hook
- K-14444 Vertical toilet paper holder



ADA

Codes/Standards

ASME A112.18.1/CSA B125.1

ADA





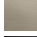




ICC/ANSI A117.1

KOHLER® Faucet Lifetime Limited Warranty

See website for detailed warranty information.

Available Colors/Finishes

Color tiles intended for reference only.

Color	Code	Description
	CP	Polished Chrome
	SN	Vibrant® Polished Nickel
	AF	Vibrant® French Gold
	BN	Vibrant® Brushed Nickel
	BV	Vibrant® Brushed Bronze
	BL	Matte Black
	2MB	Vibrant® Brushed Moderne Brass
	BGP	Vibrant Brushed Graphite
	TT	Vibrant Titanium

1-800-4KOHLER (1-800-456-4537)

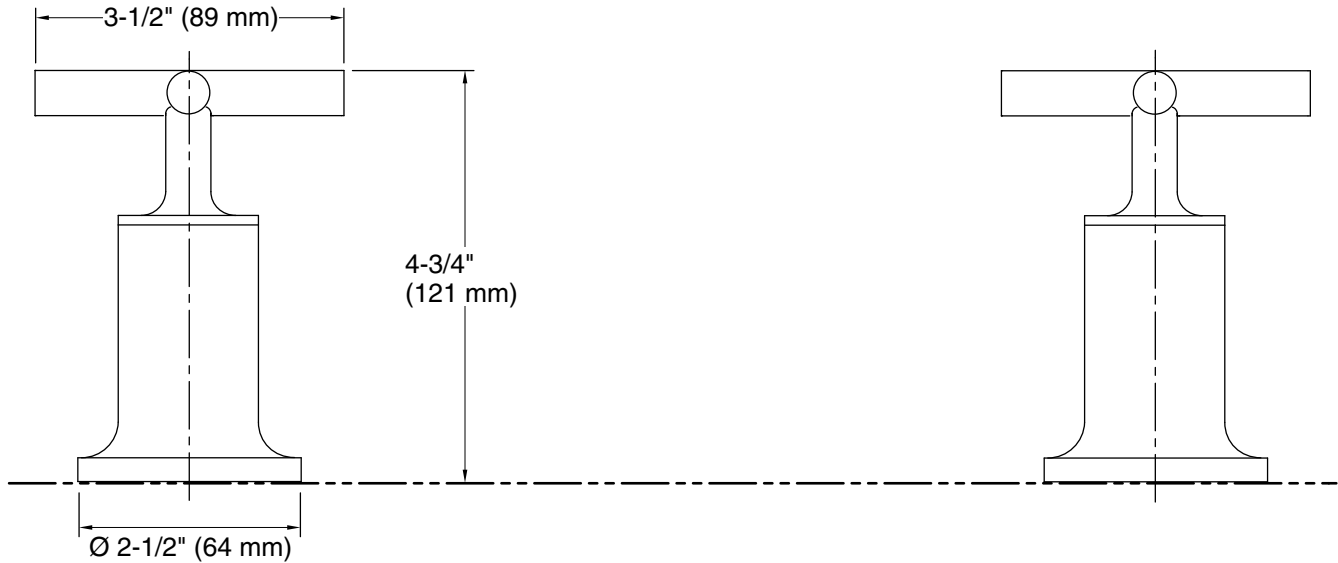
Kohler Co. reserves the right to make revisions without notice to product specifications.

For the most current Specification Sheet, go to www.kohler.com USA or www.kohler.ca Canada

8-23-2025 00:52 - US/CA

THE BOLD LOOK
OF **KOHLER®**

KOHLER Faucets Deck- or wall-mount bath faucet handle trim with cross design
Purist®
design
K-T14429-3



Technical Information

All product dimensions are nominal.

Spout:

Notes

Install this product according to the installation instructions.

ADA compliant when installed to the specific requirements of these regulations.