

**PIVOT Chandelier**  
**3-407-xx**

oxygen

FIXTURE TYPE \_\_\_\_\_

LOCATION \_\_\_\_\_

PROJECT \_\_\_\_\_

DATE \_\_\_\_\_



-40 Aged Brass

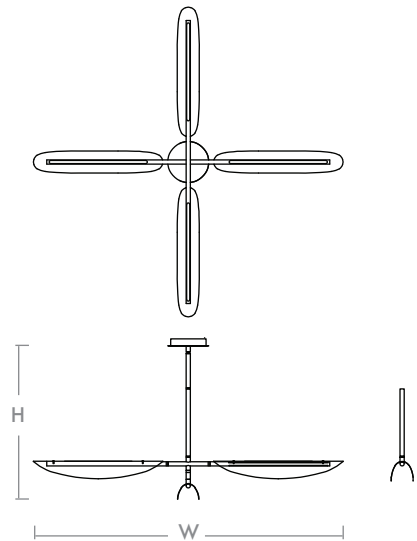


-1540



-640

- LIGHT SOURCE** (4x) 7W LED Array, 3000K, CRI 90
- LUMINAIRE POWER** 28.94W
- RATED LIFE** 50000 hr RL
- OPTIONAL COLOR TEMPERATURES** Field Selectable 3000K/3500K/4000K CCT  
Note: Oxygen Standard setting is 3000K
- LUMEN OUTPUT** 1741.6 Lm (LM-79)
- INPUT VOLTAGE** 120-277V
- DRIVER OUTPUT** TBD
- DIMMING** Triac dimming 10-100%
- CONSTRUCTION** Cold Rolled Steel, Acrylic
- DIFFUSER** Formed painted steel
- FINISHES** 40 Aged Brass, 640 White/Aged Brass, 1540 Black/Aged Brass
- MOUNTING** Installs to a 4" octagonal junction box
- STANDARDS** cUL Damp Listed, ADA Compliant, Conforms to UL STD 1598, Certified CAN/CSA STD C22.2 No 250.0.



**DIMENSIONS**

**W:** 55"  
**H:** 28.5"

Order example for standard fixture:  
**3-407-40** (x-xxx: LED Sequence # / -xx: Finish)

