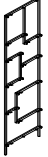


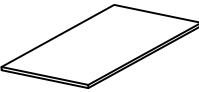



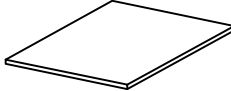



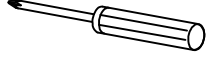
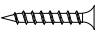
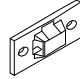
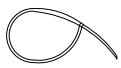
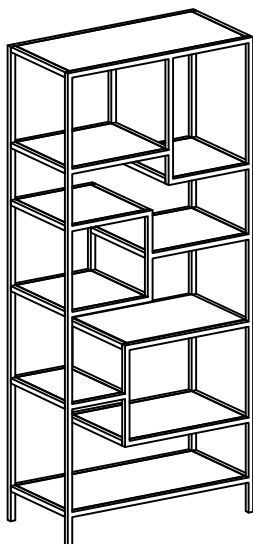


ASSEMBLY INSTRUCTION

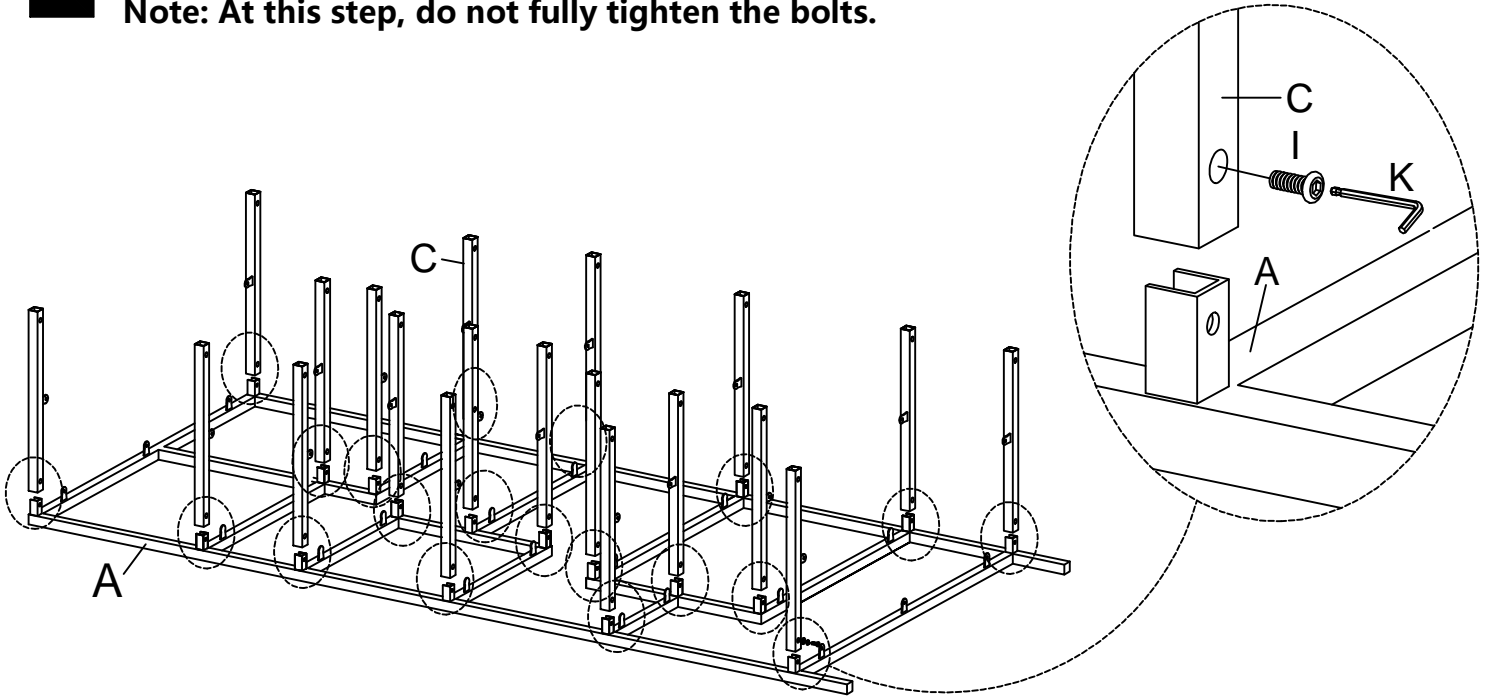
073-12 72" ASYMMETRICAL DISPLAY BOOKCASE

A Back Frame  1 PC	B Front Frame  1 PC	C Rail  20 PCS
D Top and Bottom Panel 767 x 362 x 12mm  2 PCS	E Large Shelf 417 x 362 x 12mm  2 PCS	F Medium Shelf 327 x 362 x 12mm  3 PCS
G Small Shelf 227 x 362 x 12mm  1 PC	H Largest Shelf 517 x 362 x 12mm  2 PCS	I Bolt 1/4" x 5/8"  40 PCS
J Screw 4 x 3/8"  16 PCS	K Allen Key M4  1 PC	L Screwdriver Not provided 
M Screw 4 x 1-3/4"  2 PCS	N Metal Bracket 46 x 20mm  1 PC	O Restraint Strap 590mm  1 PC

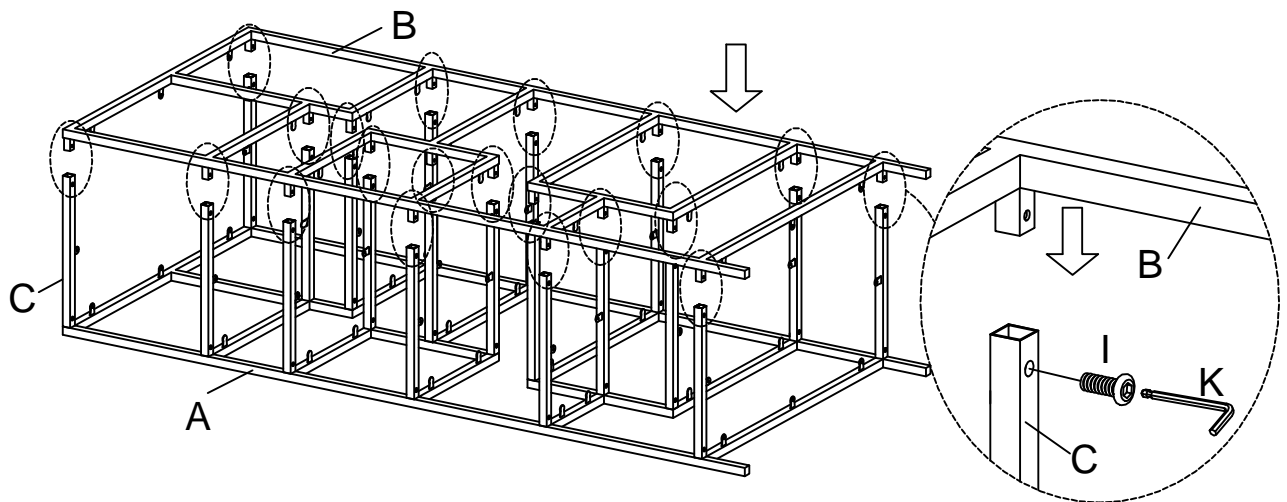


This page lists all the contents included in the box. Please take the time to identify the hardware as well as the individual components to this product. As you unpack and prepare for assembly, place the contents on a carpeted or padded area to protect them from damage.

- 1** Insert Rail (C) into Back Frame (A) using Bolt (I) with Allen Key (K).
Note: At this step, do not fully tighten the bolts.

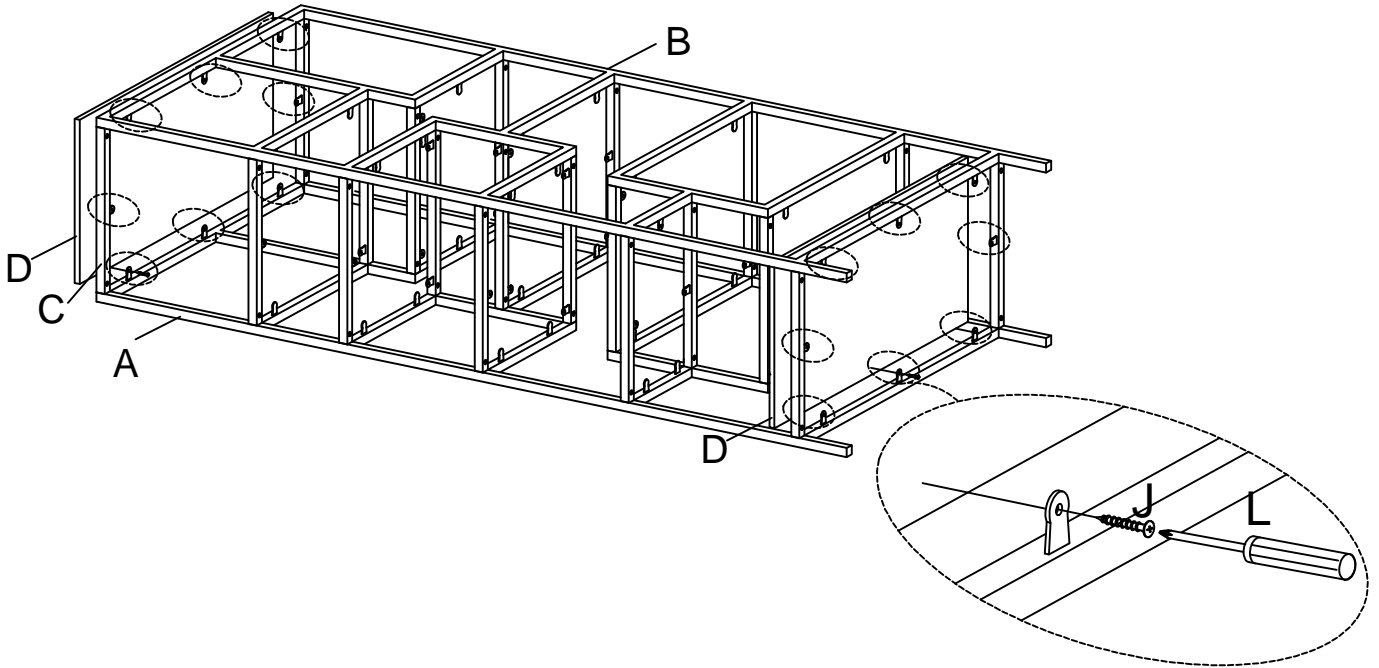


- 2** Insert Front Frame (B) into Rail (C) using Bolt (I) with Allen Key (K).
Note: At this step, do not fully tighten the bolts.

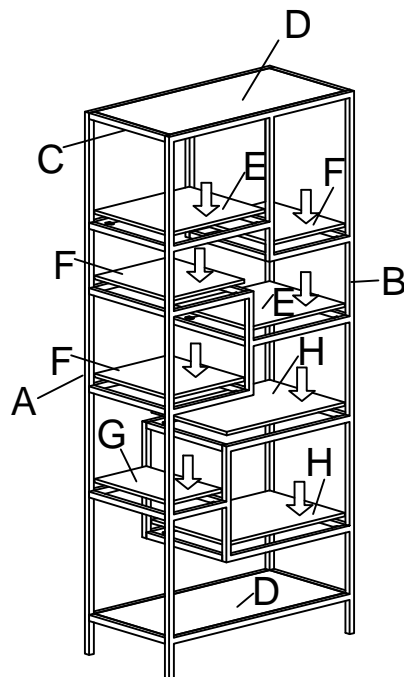


- 3** Attach Top and Bottom Panel (D) to the Bookcase top and bottom using Screw (J) with Screwdriver (L).

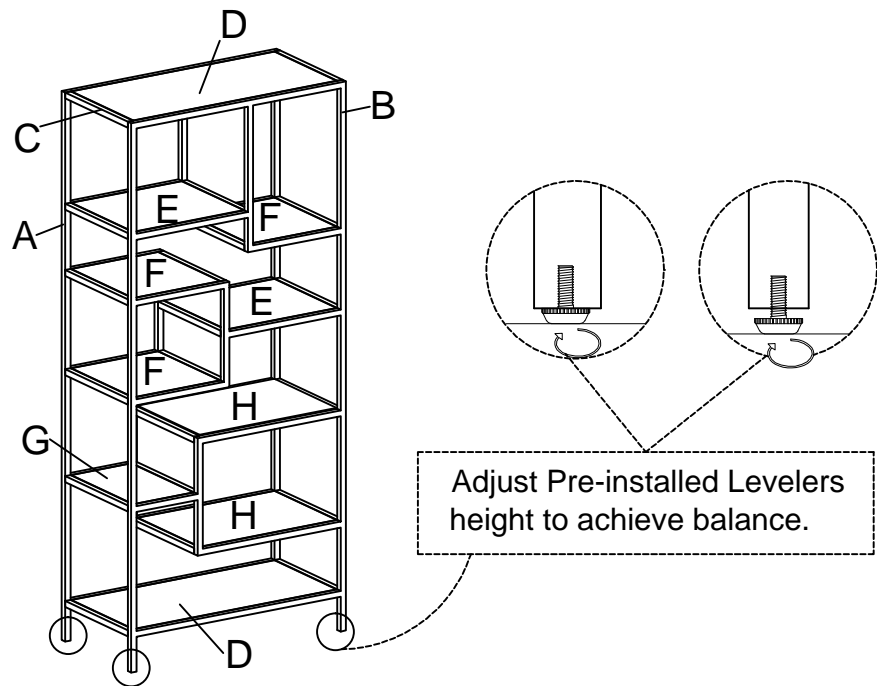
Note: At this stage, tighten all Bolts at all joints fully in a sequential manner.



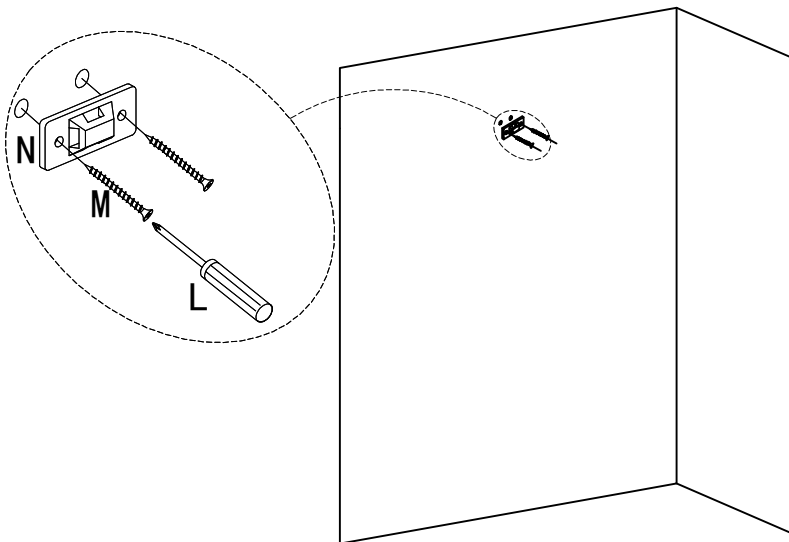
- 4** With assistance from your adult partners, turn the Bookcase right way up. Attach Large Shelf (E), Medium Shelf (F), Small Shelf (G), Largest Shelf (H) to Rail (C) as picture shown.



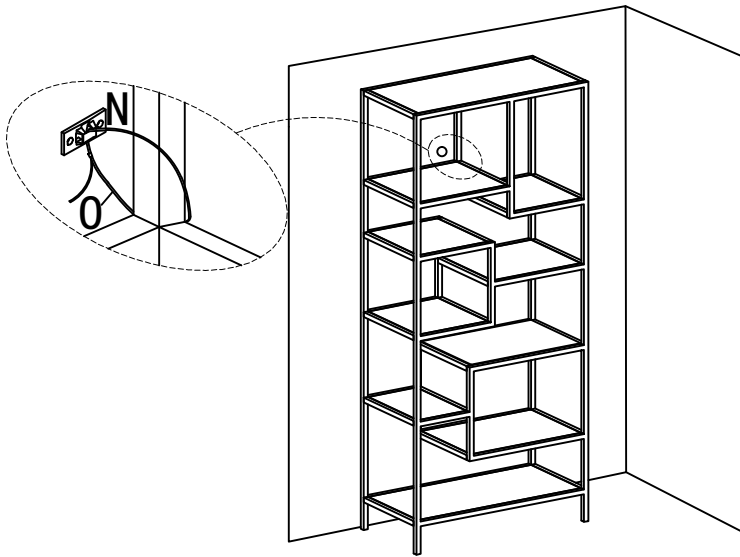
- 5** Adjust the Pre-installed Levelers on the bottom of Back Frame (A) and Front Frame (B) until the Bookcase is level with the ground.



- 6** Using Screw (M) to fix Metal Bracket (N) on the wall as shown below.



-
- 7** Move the Bookcase back against wall. Pull the Restraint Strap (O) through the Metal Bracket (N) on the wall and frame, and pull the Restraint Strap (O) tight.



Cleaning & Care

Treat surface with care. Surface is resistant to scratches but is not scratch resistant. Clean surfaces with a dry or damp soft cloth. Do not use abrasive cleaners. Hardware may loosen over time. Periodically check that all connections are tight.