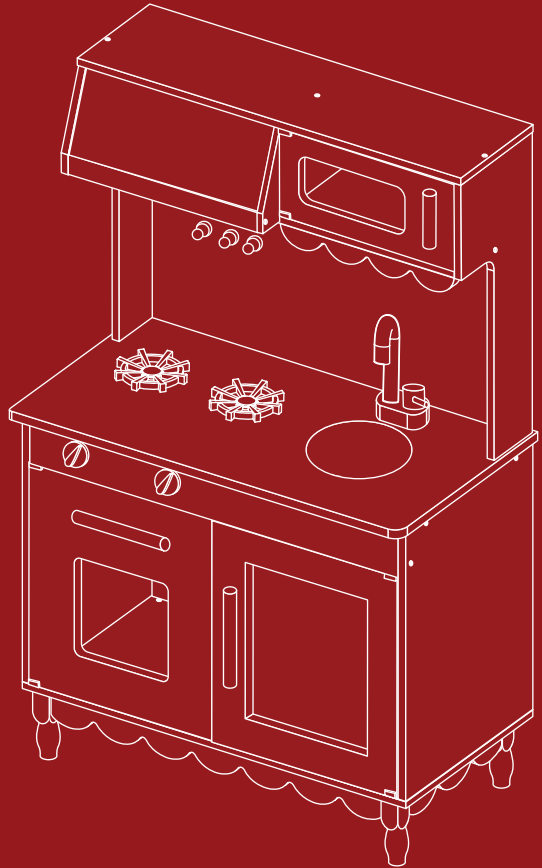




BEST CHOICE  
PRODUCTS



# INSTRUCTION MANUAL

---

## Cottage Kitchen Playset

Ver. 1

SKY8535 + SKY8536 + SKY8537 + SKY8538 + SKY8539



## NOTICE

Please retain these instructions for future reference.

- This product requires adult assembly and supervision when in use.
- This product is intended for indoor use only.
- Do not stand on or use any part of this item as a step ladder.
- Firmly secure all bolts, screws and knobs before use.
- Reconfirm that all bolts, screws, and knobs are secure every 90 days.
- Do not use or store this item in the proximity of open flame or flammable/combustible chemicals.
- If any parts are missing, broken, damaged, or worn, stop using this item until repairs are made and/or factory replacement parts are installed.
- Do not use this item in a way inconsistent with the manufacturer's instructions as this could void the product warranty.
- To clean this item, use a damp cloth. Then, wipe it down once more with a dry cloth.
- This product is intended for residential use only.



## WARNING

**ADULT ASSEMBLY REQUIRED**



## WARNING

**CHOKING HAZARD** - Small parts.  
Not for children under 3 years old.



This item is intended to  
be mounted to a wall  
following assembly.

Do not attempt to use  
this item otherwise as  
it may result in  
personal injury and  
property damage.

[bestchoiceproducts.com](http://bestchoiceproducts.com)

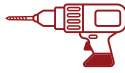
## TOOLS REQUIRED



PHILLIPS  
SCREWDRIVER



HAMMER  
(NOT PROVIDED)



DRILL  
(OPTIONAL)



3 YEARS  
OLD AND UP

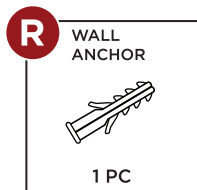
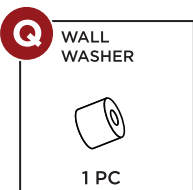
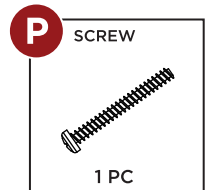
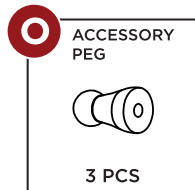
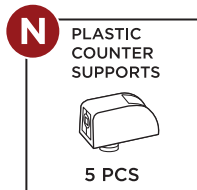
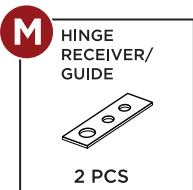
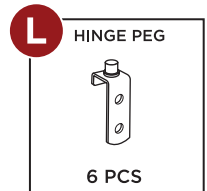
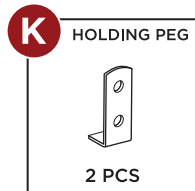
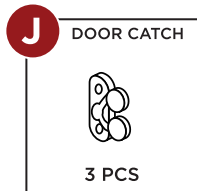
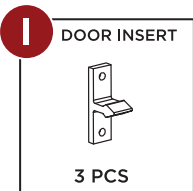
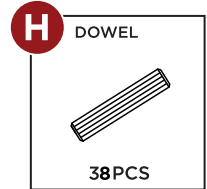
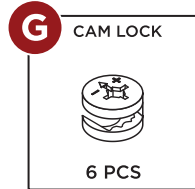
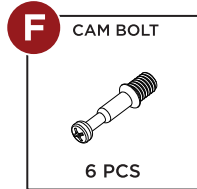
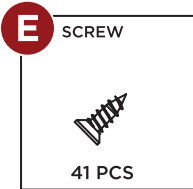
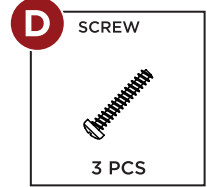
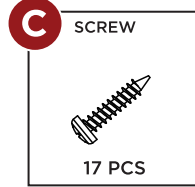
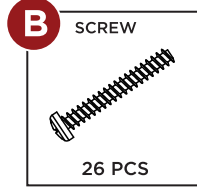
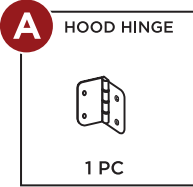


1 PERSON  
ASSEMBLY

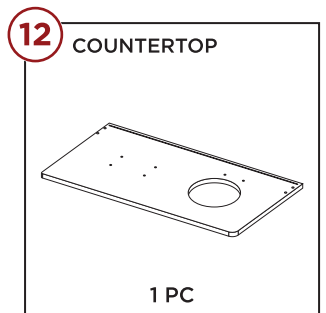
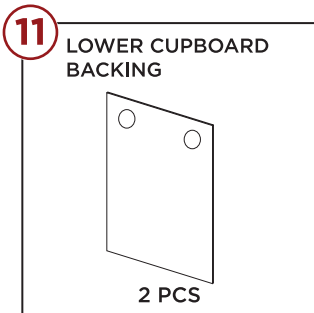
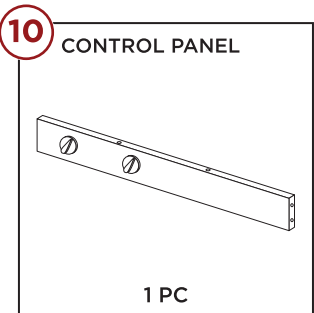
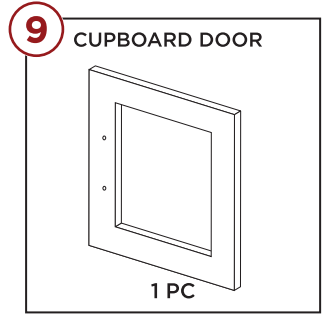
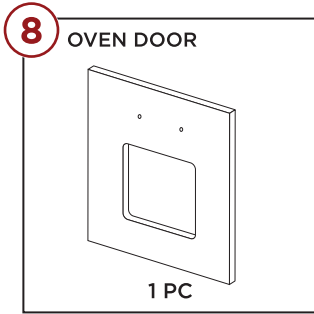
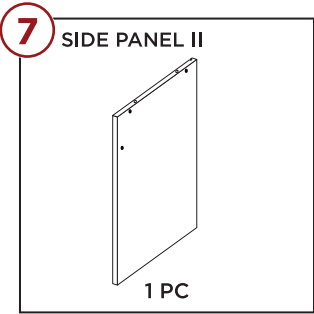
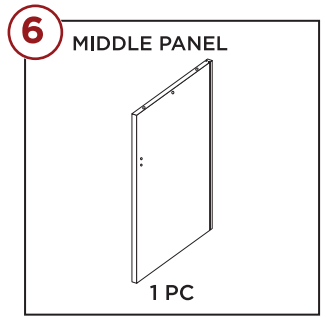
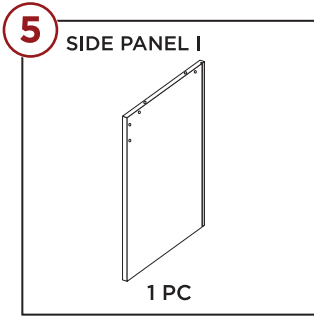
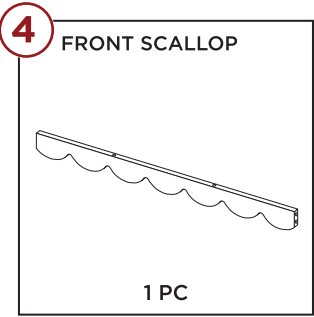
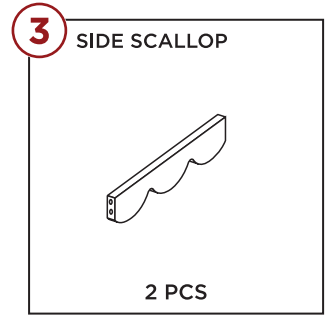
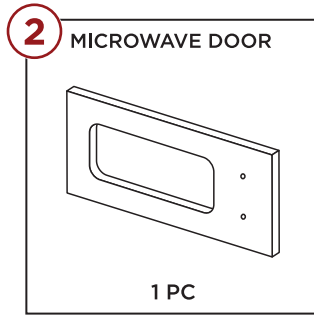
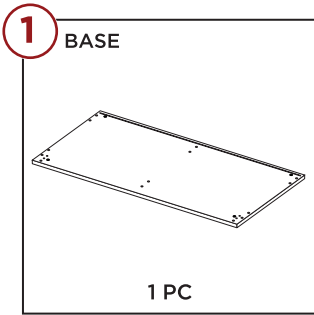


UP TO 90 MIN.  
ASSEMBLY

## HARDWARE

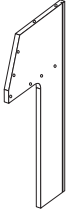


## PARTS



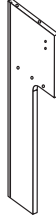
# PARTS

13 UPPER SIDE PANEL I



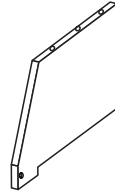
1 PC

14 UPPER SIDE PANEL II



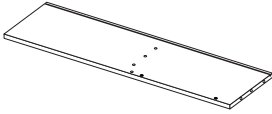
1 PC

15 UPPER MID PANEL



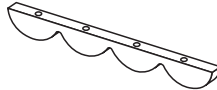
1 PC

16 UPPER SHELF



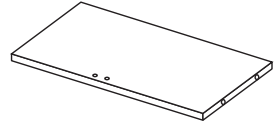
1 PC

17 UPPER SHELF SCALLOP



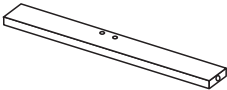
1 PC

18 HOOD



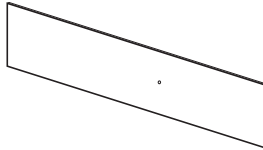
1 PC

19 HOOD STRIP



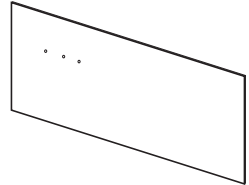
1 PC

20 UPPER SHELF BACK PANEL



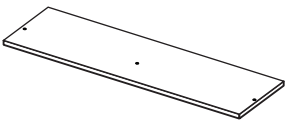
1 PC

21 BACK SPLASH



1 PC

22 TOP BOARD



1 PC

23 FRONT LEG



2 PCS

24 BACK LEG I



1 PC

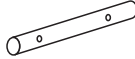
## PARTS

**25** BACK LEG II



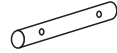
1 PC

**26** DOOR HANDLE



2 PCS

**27** MICROWAVE HANDLE



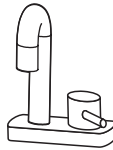
1 PC

**28** BURNER



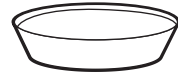
2 PCS

**29** FAUCET



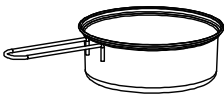
1 PC

**30** SINK



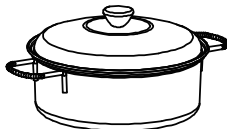
1 PC

**31** SAUCEPAN



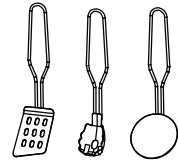
1 PC

**32** DUTCH OVEN



1 PC

**33** UTENSILS



3 PCS

## PRE-ASSEMBLY

1

**NOTE:** The following steps are essential to later assembly as certain parts may no longer be accessible in later assembly.

Attach two **part M hinge receivers/guides** to the **part 1 base** with four **part E screws**, two screws per receiver.

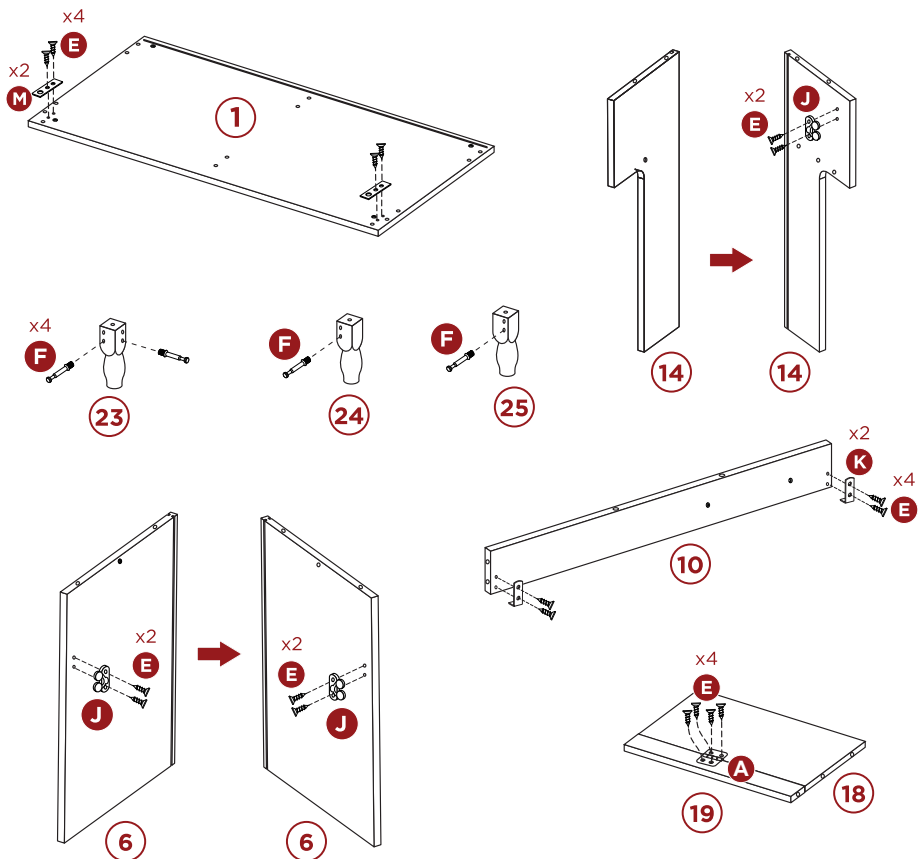
Attach one **part J door catch** to the **part 14 upper side panel II** with two **part E screws**.

Insert two **part F cam bolts** into both **part 23 front legs**, two bolts per leg.

Insert one **part F cam bolt** each into the **part 24** and **part 25 back legs**.

Attach two **part K holding pegs** to the **part 10 control panel** with four **part E screws**, two screws per holding peg.

Place the **part 18 hood** and the **part 19 hood strip** side by side then connect them by attaching one **part A hood hinge** with four **part E screws**.



## PRE-ASSEMBLY

# 2

Attach one **part 26 door handle** to the **part 9 cupboard door** with two **part C screws**.

Attach one **part I door insert** to the **part 9 cupboard door** with two **part E screws**.

Attach two **part L hinge pegs** to the **part 9 cupboard door** with four **part E screws**, two screws per hinge peg.

Attach one **part 26 door handle** to the **part 8 oven door** with two **part C screws**.

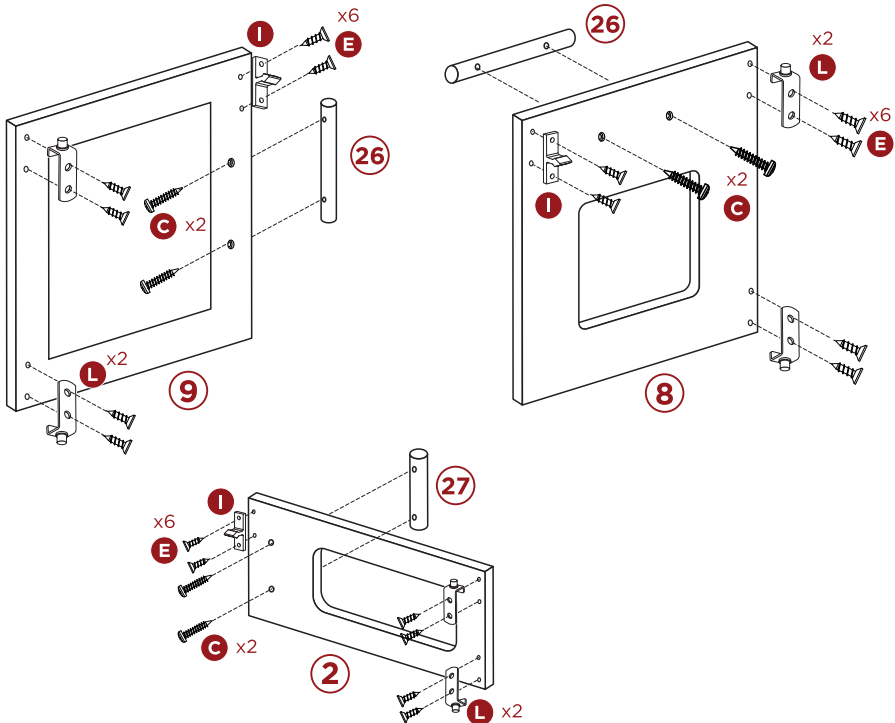
Attach one **part I door insert** to the **part 8 oven door** with two **part E screws**.

Attach two **part L hinge pegs** to the **part 8 oven door** with four **part E screws**, two screws per hinge peg.

Attach one **part 27 microwave handle** to the **part 2 microwave door** with two **part C screws**.

Attach one **part I door insert** to the **part 2 microwave door** with two **part E screws**.

Attach two **part L hinge pegs** to the **part 2 microwave door** with four **part E screws**, two screws per hinge peg.





## PRE-ASSEMBLY

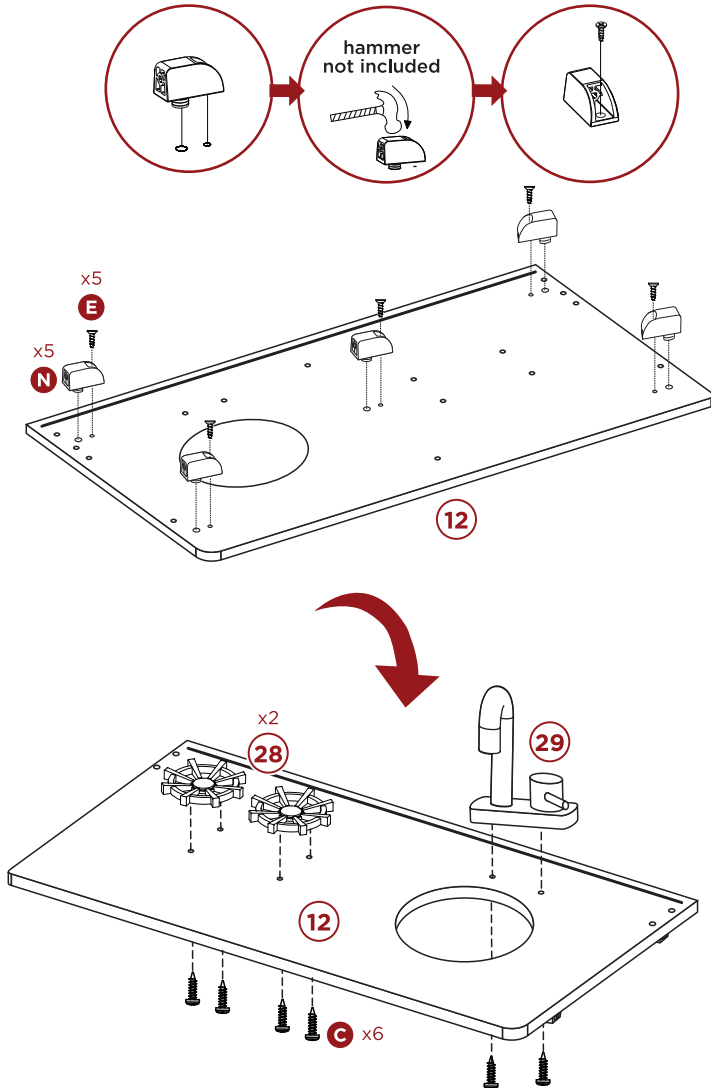
# 3

Use a hammer to attach five **part N plastic counter** supports to the bottom of the **part 12 countertop**, then secure each support with one **part E screw**, five screws total.

**NOTE:** Hammer is not included but highly recommended.

Flip the **part 12 countertop** upright, then attach two **part 28 burners** with four **part C screws**, two screws per burner.

Attach the **part 29 faucet** to the **part 12 countertop** with two **part C screws**.



## PRODUCT ASSEMBLY

1

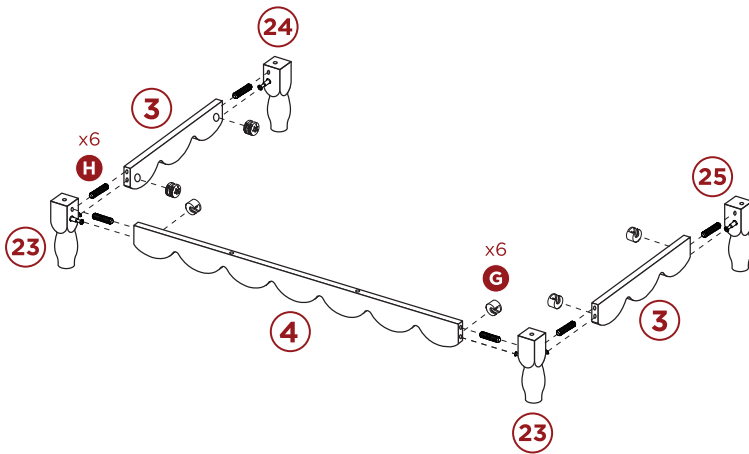
Insert one **part H dowel** into the **part 24 back leg I**, then insert one **part G cam lock** into the **part 3 side scallop**, connect the two pieces, turn the cam locks to secure, then set aside.

Insert one **part H dowel** into the **part 25 back leg II**, then insert one **part G cam lock** into the **part 3 side scallop**, connect the two pieces, turn the cam locks to secure, then set aside.

Insert two **part G cam locks** and two **part H dowels** into the **part 4 front scallop**.

Connect the two **part 23 front legs** to each side of the front scallop, then turn the cam locks to secure.

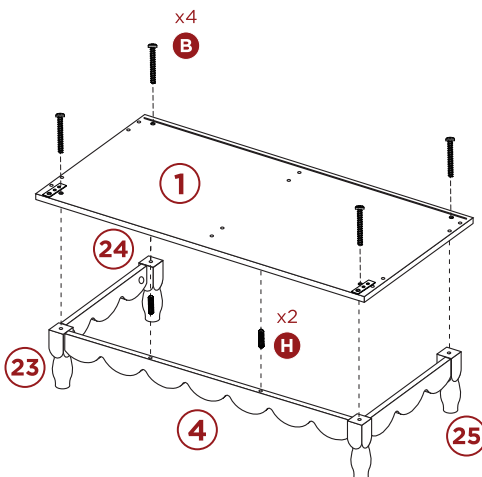
Insert one **part H dowel** and one **part G cam lock** into each **part 3 side scallop**, then connect them to the **part 23 front legs**, turn the cam locks to secure.



2

Insert two **part H dowels** into the top of the **part 4 front scallop**.

Attach the **part 1 base** to the **part 23**, **part 24**, and **part 25 legs** with four **part B screws**.

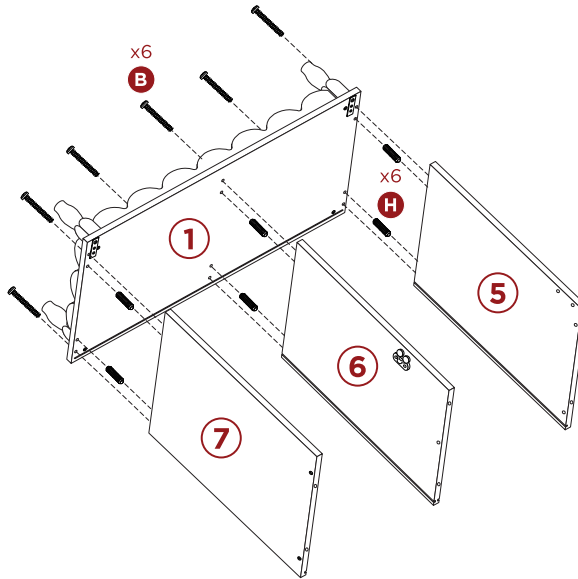


## PRODUCT ASSEMBLY

3

Insert two dowels each into the **part 5 side panel I**, **part 6 middle panel**, and **part 7 side panel II**, then attach the three panels to the **part 1 base**.

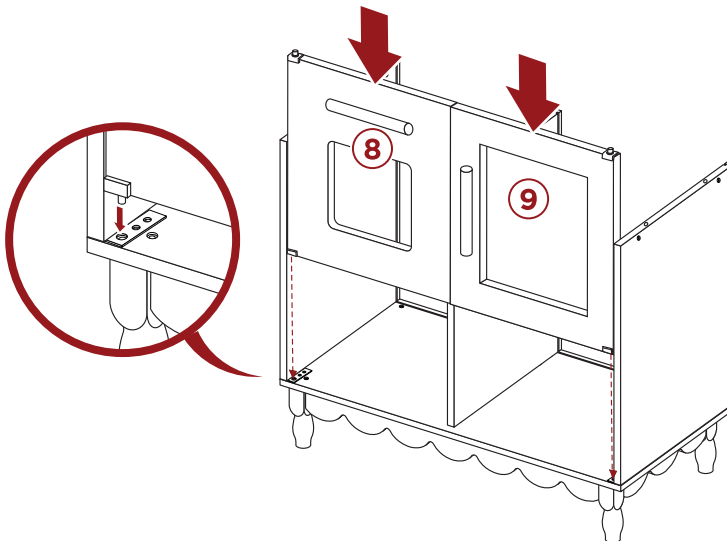
Secure each panel with two **part B screws**, six screws total.



4

Slide the **part 8 oven door assembly** into its designated **part M hinge receiver**.

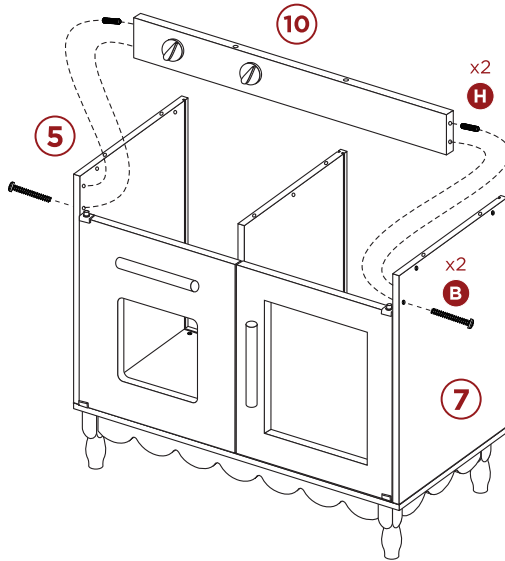
Slide the **part 9 cupboard assembly** into its designated **part M hinge receiver**.



## PRODUCT ASSEMBLY

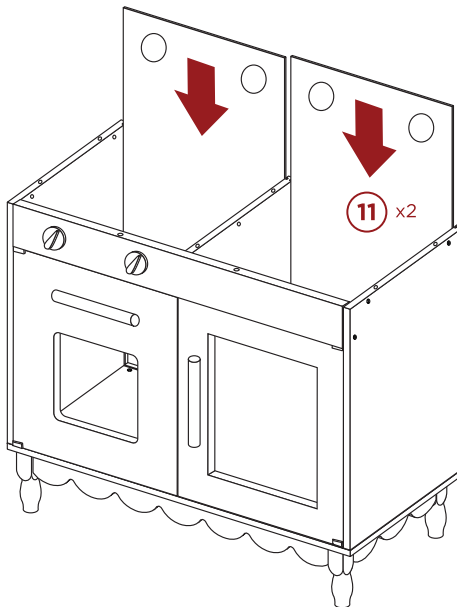
5

Insert two **part H dowels** into the sides of the **part 10 control panel**, then attach the panel to the **part 5** and **part 7 side panels** with two **part B screws**.



6

Slide two **part 11 lower cupboard backings** into their designated spaces between the **part 5 side panel I**, **part 6 middle panel**, and **part 7 side panel II**.



## PRODUCT ASSEMBLY

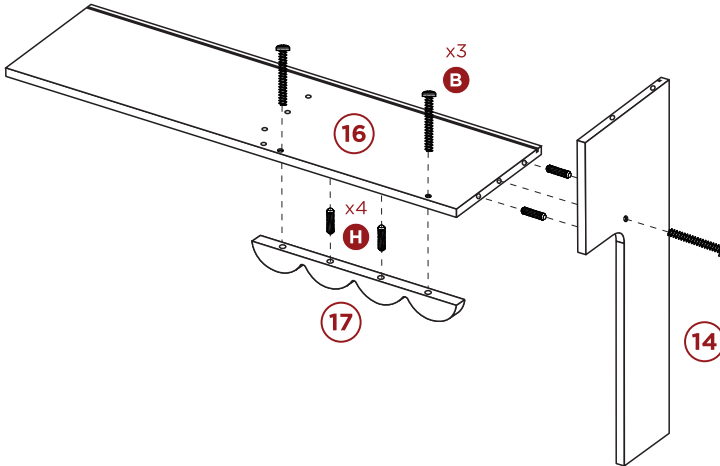
7

Insert two **part H dowels** into the **part 17 upper shelf scallop**.

Insert two **part H dowels** into the **part 14 upper side panel II**.

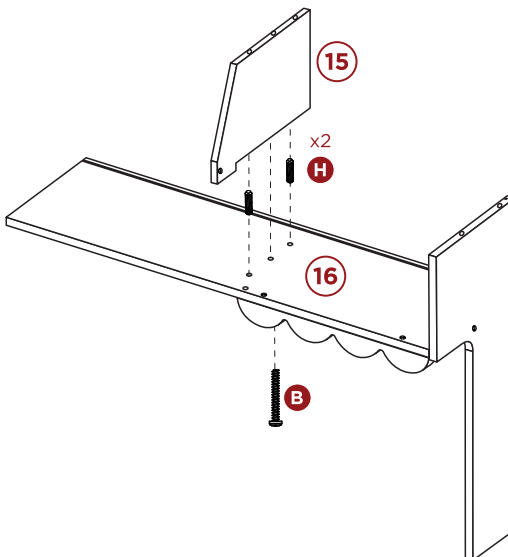
Attach the **part 17 upper shelf scallop** to the **part 16 upper shelf** with two **part B screws**.

Attach the **part 14 upper side panel II** to the **part 16 upper shelf** with two **part B screws**.



8

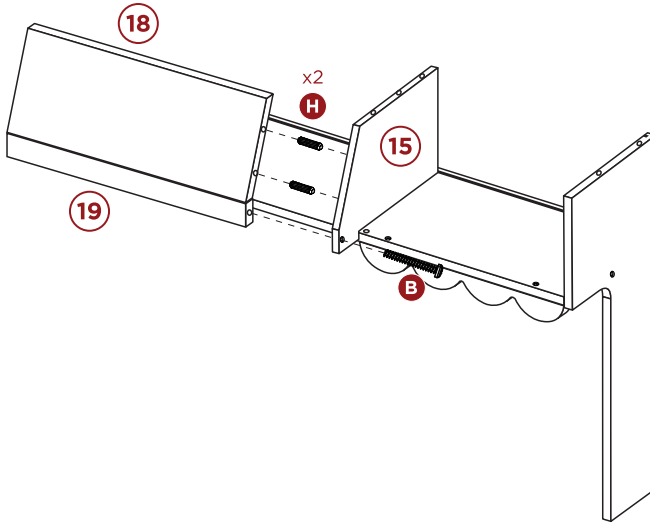
Insert two **part H dowels** into the **part 15 upper mid panel**, then attach it to the **part 16 upper shelf** with one **part B screw**.



## PRODUCT ASSEMBLY

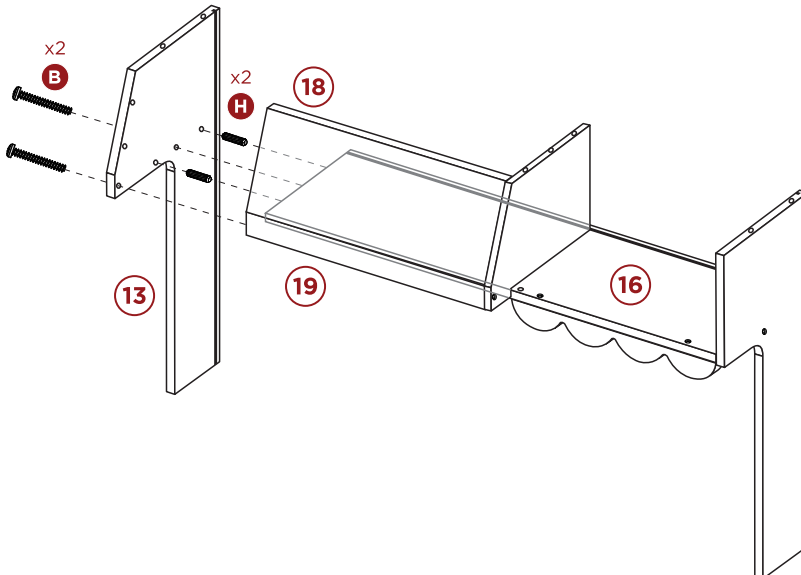
9

Insert two **part H** dowels into the **part 18 hood**, then attach the hood to the **part 15 upper mid**, secure by inserting one **part B** screw to the **part 19 hood strip**.



10

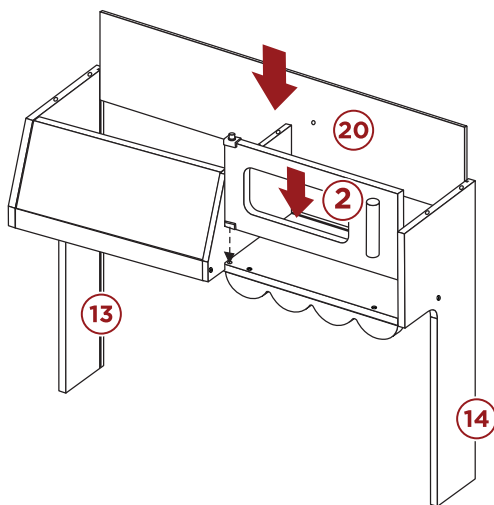
Insert two **part H** dowels into the **part 13 side panel I**, then attach it to the **part 16 upper shelf** with two **part B** screws.



## PRODUCT ASSEMBLY

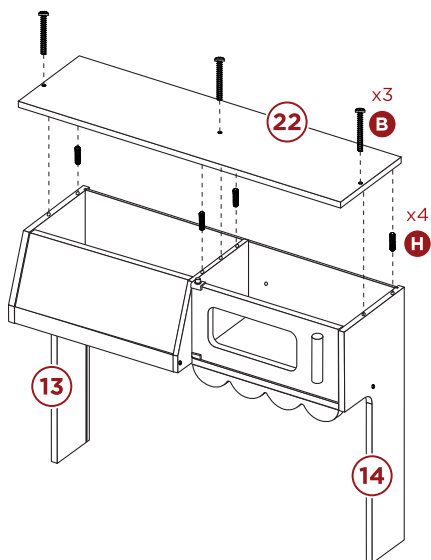
11

Slide the **part 20 upper shelf back panel** between the **part 13** and **part 14 upper side panels**.  
Insert the **part 2 microwave door assembly's hinge peg** into the **part 16 upper shelf**.



12

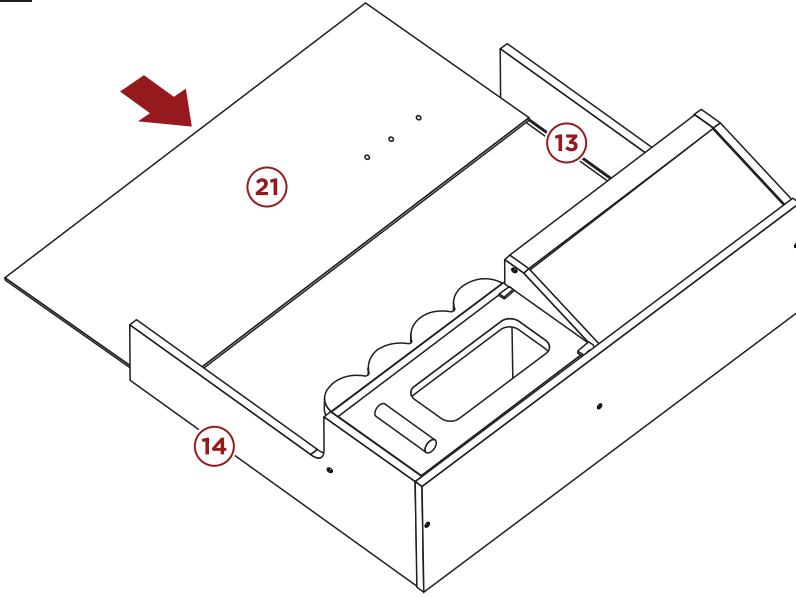
Insert four **part H dowels** into the **part 22 top board**, then attach the board to the **part 13**, **part 14**, and **part 15 panels** with three **part B screws**.



## PRODUCT ASSEMBLY

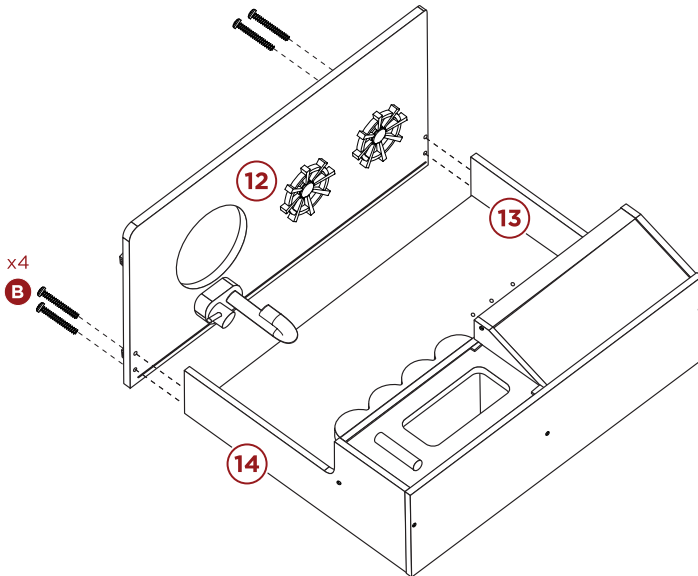
**13**

Slide the **part 21 back splash** between the **part 13** and **part 14 upper side panels**.



**14**

Attach the **part 12 countertop assembly** to the **part 13** and **part 14 upper side panels** with four **part B screws**.





## PRODUCT ASSEMBLY

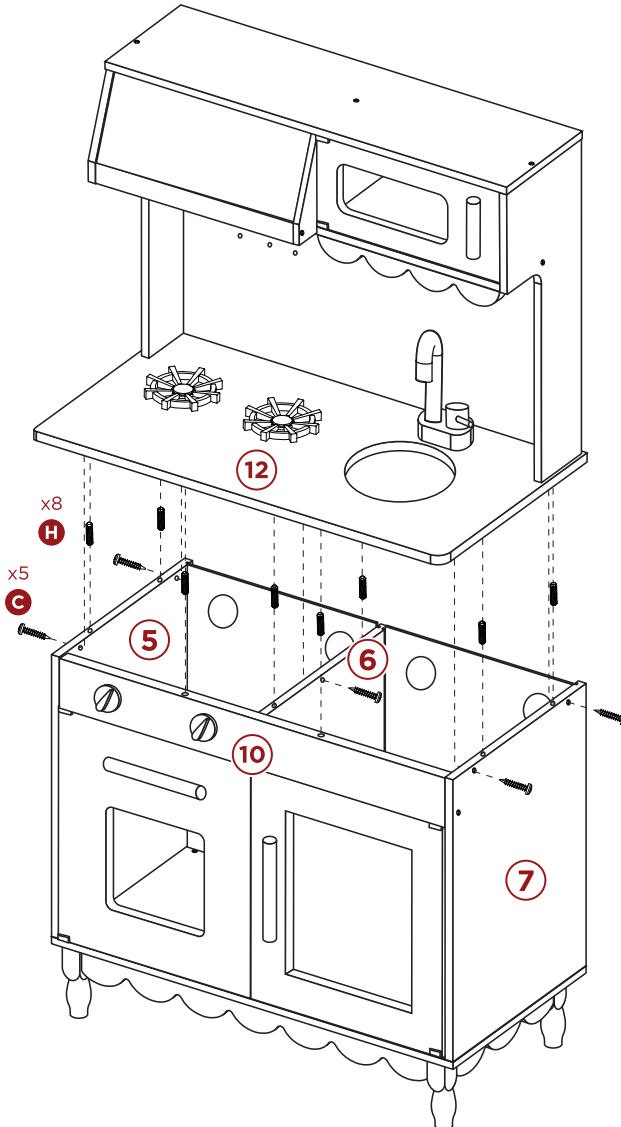
15

Insert two **part H dowels** each into the top of the **part 5** and **part 7 side panels**.

Insert two **part H dowels** each into the top of the **part 6 middle panel** and **part 10 control panel**.

Place the **part 12 countertop assembly** on top of the lower cabinet assembly, then secure with five **part C screws**.

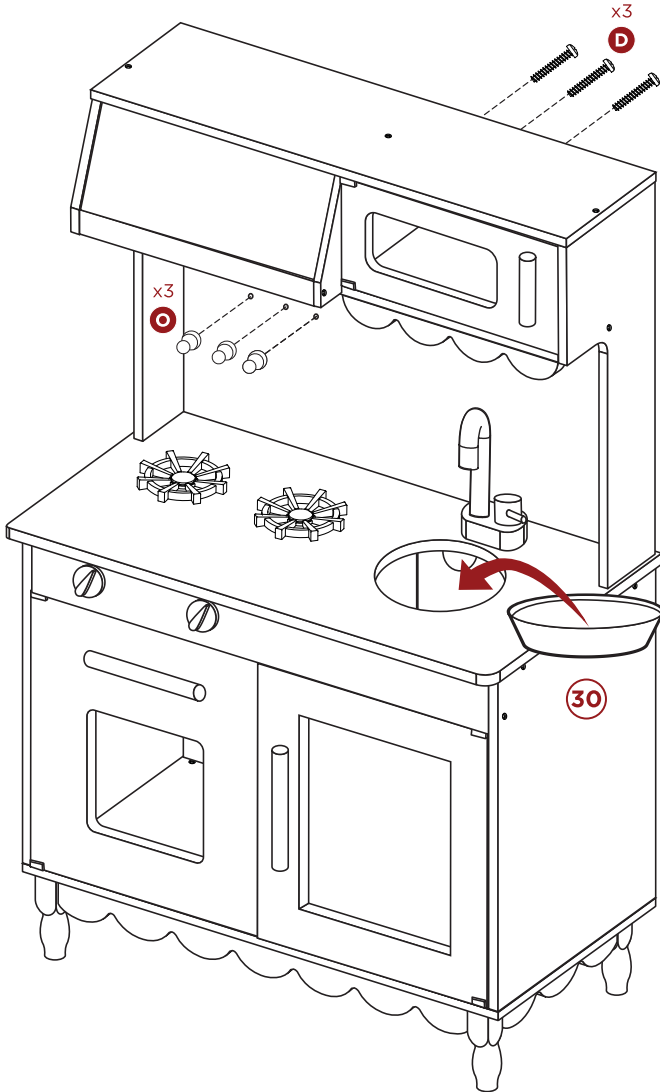
**NOTE:** To secure the **part 6 middle panel**, open the **part 9 cupboard door** to access the remaining countertop fastener.



## PRODUCT ASSEMBLY

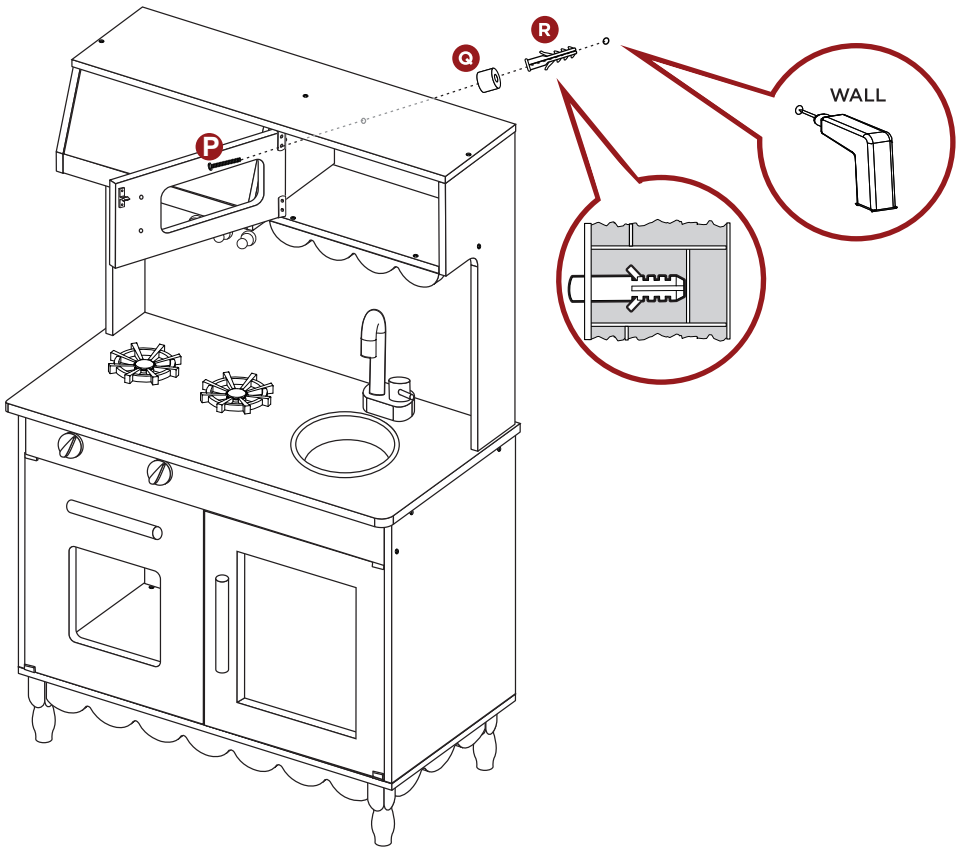
**16**

Attach three **part O** accessory pegs to the **part 21** backsplash with three **part D** screws.  
Insert the **part 30** sink into the designated opening.



## WALL MOUNTING

1. Select an appropriate location, then place the product against the wall. Open the **part 2 microwave door** and mark the wall through the hole in the **part 20 upper shelf back panel**. Move the product aside.
2. Drill a hole in the indicated spot on the wall, then insert the **part R wall anchor**. Insert one **part P screw** through the hole in the **part 20 upper shelf back panel** and place the **part Q wall washer** onto the screw's end.
3. Return the product to overlap the wall, insert the screw end into the wall anchor, then tighten the **part P screw** to secure the product to the wall.





# HELP CENTER



Question about your product? We're here to help. Visit us at:

[help.bestchoiceproducts.com](http://help.bestchoiceproducts.com)



Chat Support



Product Inquiry



Orders FAQ



Product Assembly



Returns & Refunds

## PRODUCT WARRANTY INFORMATION

All items can be returned for any reason within 60 days of the receipt and will receive a full refund as long as the item is returned in its original product packaging and all accessories from its original shipment are included. All returned items will receive a full refund back to the original payment method. All returned items will not be charged a re-stocking fee.

All returned items require an RA (Return Authorization) number, which can only be provided by a Best Choice Products Customer Service Representative when the return request is submitted. Items received without an RA may not be accepted or may increase your return processing time. Once an item has been received by Best Choice Products, refunds or replacements will be processed within 5 business days.

All returns must be shipped back to the Best Choice Products Return Center at the customer's expense. If the reason for return is a result of an error by Best Choice Products then Best Choice Products will provide a pre-paid shipping label via email. Boxes for return shipping will not be provided by Best Choice Products, and is the customer's responsibility to either use the original shipping boxes or purchase new boxes.

Pictures may be required for some returns to ensure an item is not damaged prior to its return. Items returned are not considered undamaged until they are received by Best Choice Products and verified as such. All damages to items are the customer's responsibility until the item has been received by and acknowledge by Best Choice Products as undamaged.

© Best Choice Products, Inc. All rights reserved. Distributed by Best Choice Products, Inc. Tustin, CA 92780

## WARNING

Manufacturer and seller expressly disclaim any and all liability for personal injury, property damage or loss, whether direct, indirect, or incidental, resulting from the incorrect attachment, improper use, inadequate maintenance, unapproved modification, or neglect of this product.