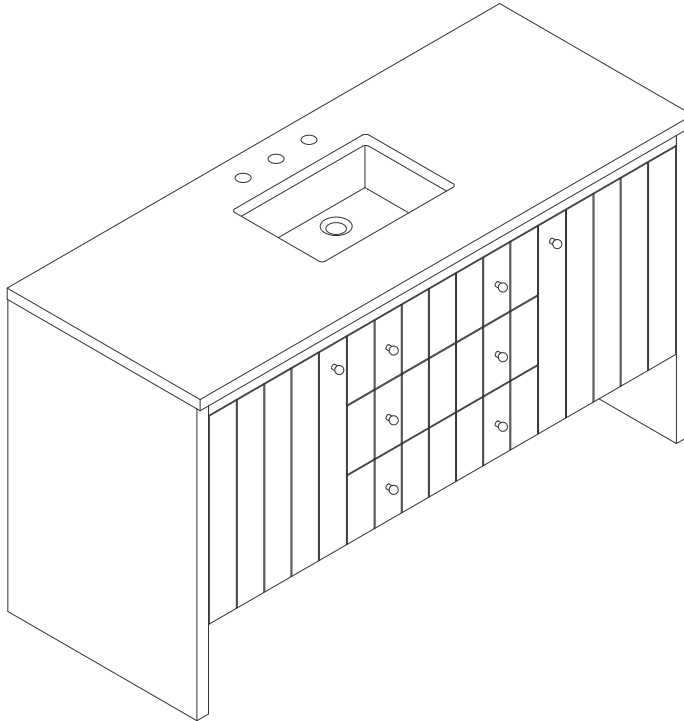


# 60" S HUDSON VANITY

**JAMES MARTIN**  
VANITIES

435-V60S-LNO



## Features and Materials

Solids: Ash and Yellow Poplar  
Veneers: Flat Cut Ash  
Panels: Plywood  
Installation Type: Floor Standing  
Number of Basins: One, with Optional 3cm Top  
Vanity Top Included: NO, Optional 3cm Tops Available with Sinks  
Basins Included: NO  
Overflow: Yes, Front Facing  
Number of Doors: Two  
Number of Drawers: Three  
Number of Tip Outs: One  
USB/Power Component: YES (ETL5011080)  
Cord Length: 6'6"  
Assembly Type: Installation of Optional 3cm Top with Sink  
Bamboo Storage Tray: One  
Drawer Box Material and Construction: 12mm Plywood/English Dovetail Joinery  
Hardware Material and Finish: Zinc Alloy in Champagne Brass Color  
Fits Drain Hole Size: 1 3/4"  
Full Extension, Soft Close Glides  
European Soft Close Hinges  
Aluminum Laminate Drawer Liners  
Adjustable Levelers

## Dimension

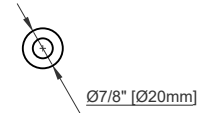
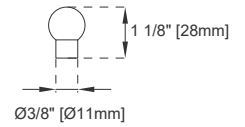
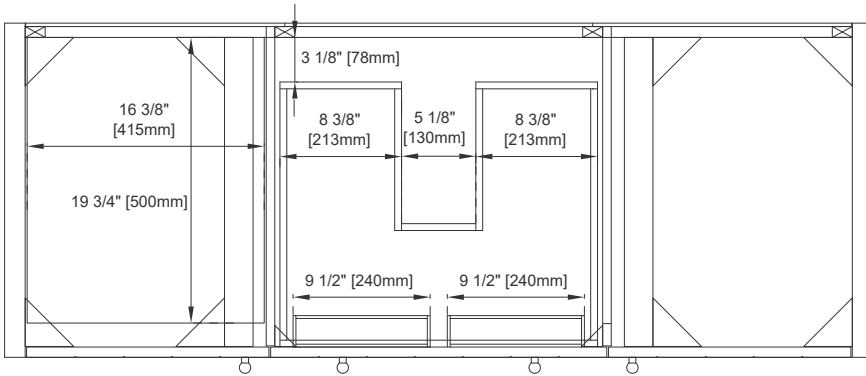
Width: 59-7/8"  
Depth: 23-1/8"  
Height: 33"  
Rough-In Height: 21-1/2"

Visit website for warranty and installation information  
[www.jamesmartinvanities.com](http://www.jamesmartinvanities.com)

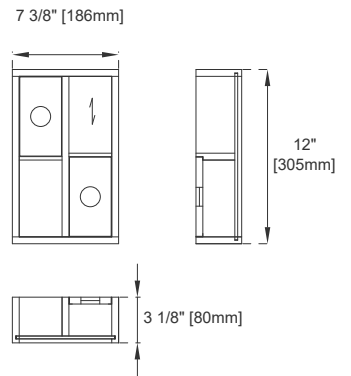
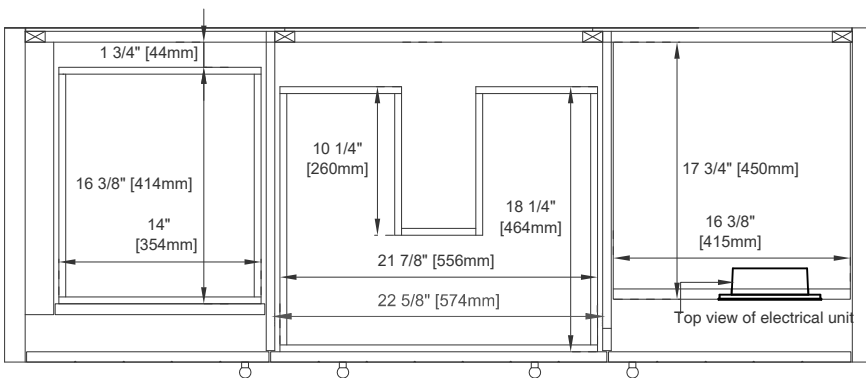
# 60" S HUDSON VANITY

# JAMES MARTIN VANITIES

435-V60S-LNO

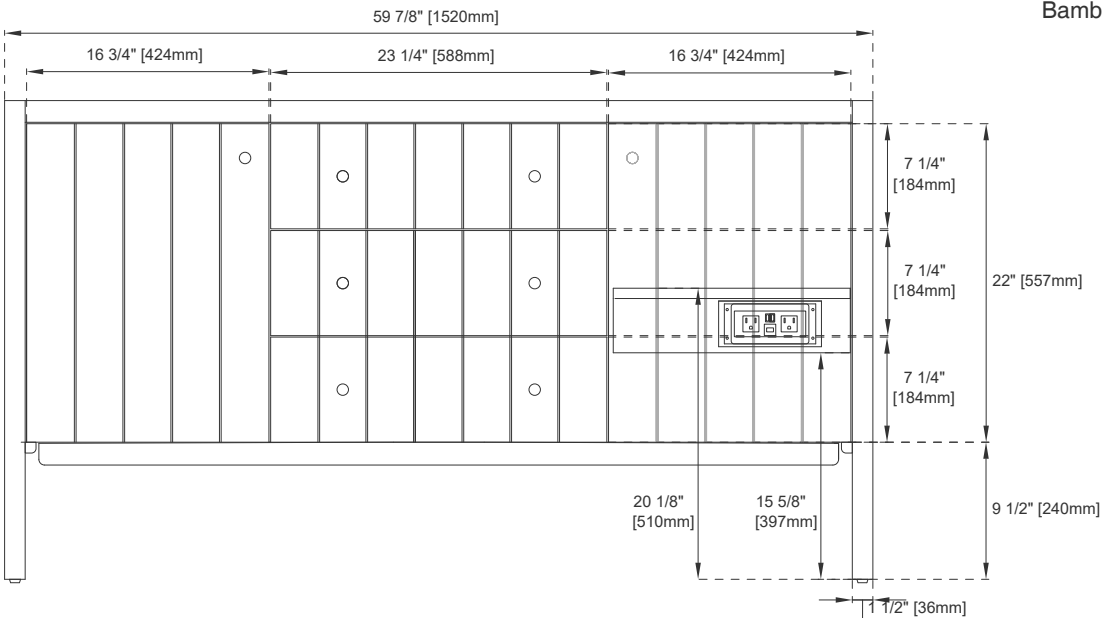


Knob



Bamboo Drawer Organizer

Top View



Front View

All dimensions are nominal

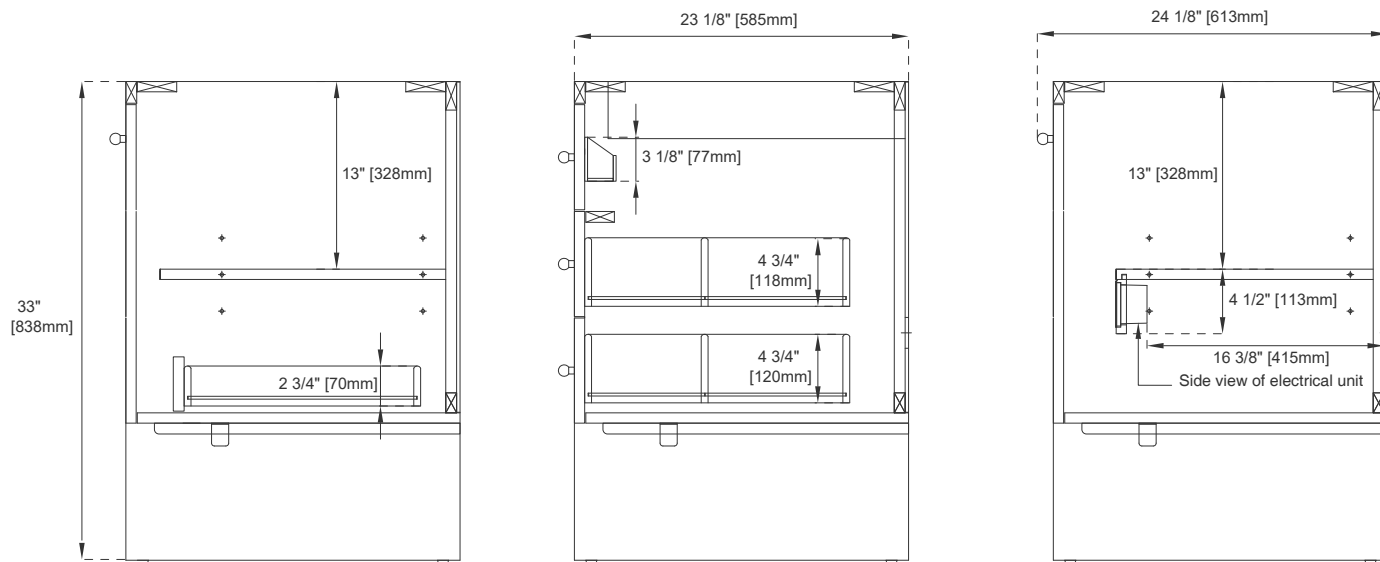
Diagrams are of cabinet only—James Martin Optional Countertops and sinks are not shown

Visit website for warranty and installation information  
[www.jamesmartinvanities.com](http://www.jamesmartinvanities.com)

# 60" S HUDSON VANITY

# JAMES MARTIN VANITIES

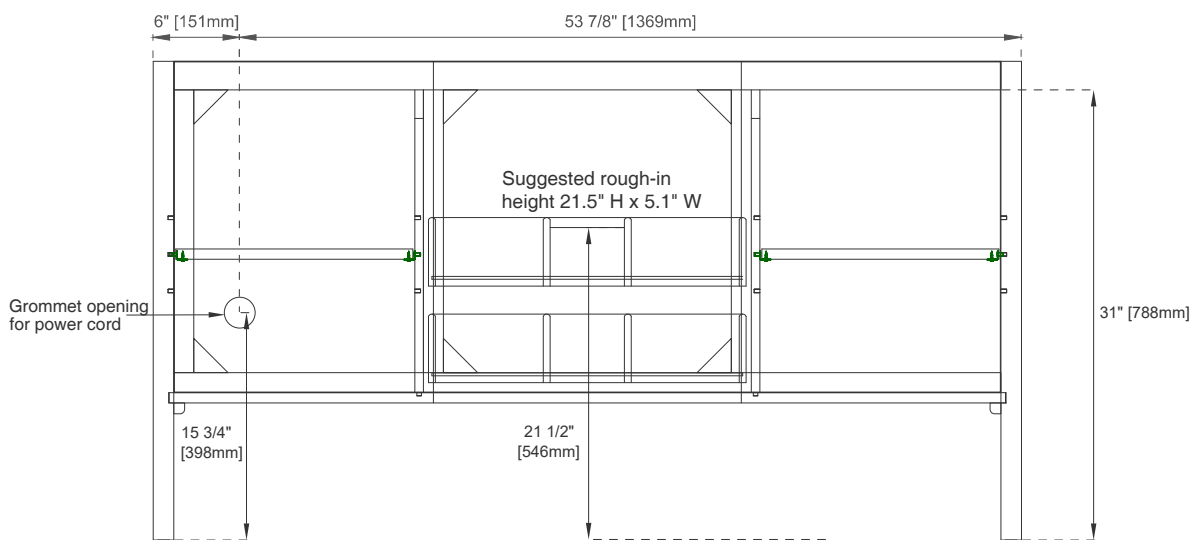
435-V60S-LNO



Side View

Side View

Side View



Back View

All dimensions are nominal

Diagrams are of cabinet only—James Martin Optional Countertops and sinks are not shown

Visit website for warranty and installation information  
[www.jamesmartinvanities.com](http://www.jamesmartinvanities.com)