



Diamond Tub & Showers Spec Sheet
Model: TOA 604224 (Left Shown)
Description: Tub Only with Apron

Specifications

Model #	Material	Wall Finish	Pieces	Drain	Apron Height	Net Weight Lbs.
TOA 604224	Fiberglass/ Gelcoat	Smooth	1	Left/Right Center	NA	

Sump Data

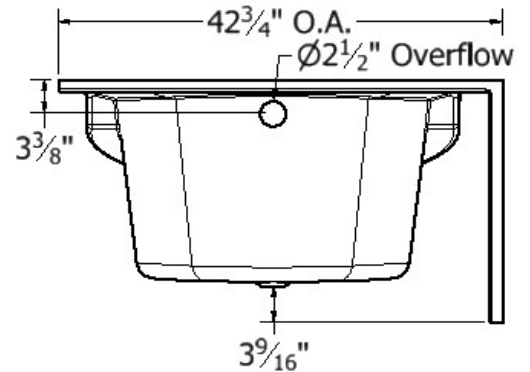
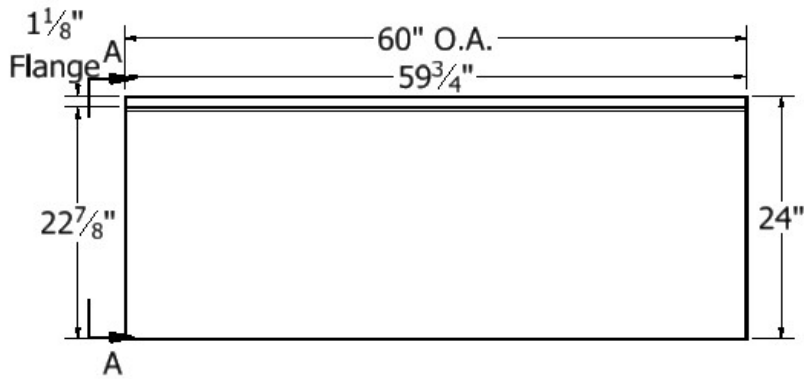
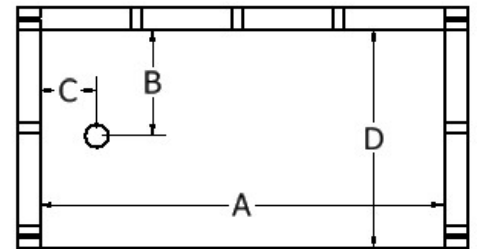
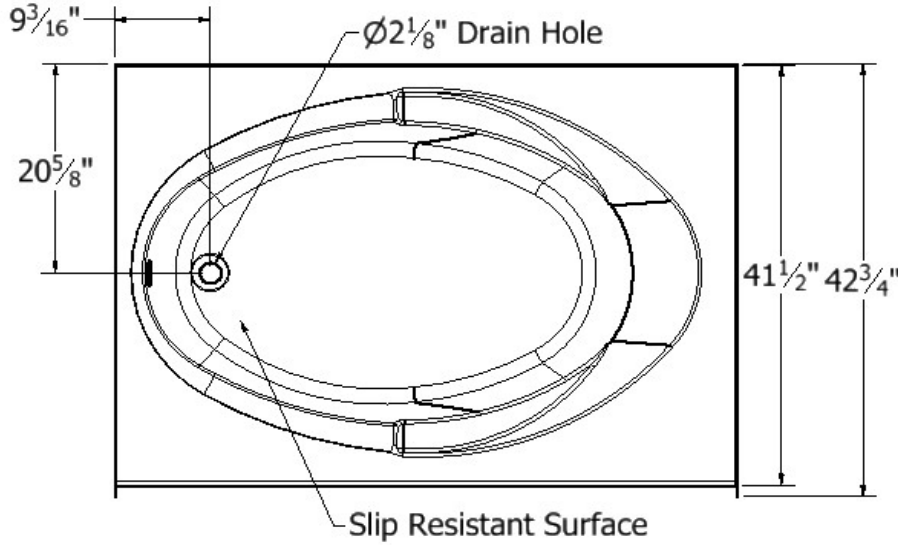
Top of Drain to Bottom of Overflow	Capacity to Overflow Gallons	Top Dimensions		Bottom Dimensions	
		Length	Width	Length	Width
15 5/16"	63.2	53 1/2"	35 1/2"	39 1/4"	26"

Framing Dimensions

A	B	C	D
60"	20 5/8"	9 3/16"	42 3/4"

Enclosure Opening

Length	Width
NA	NA



Certified to conform to ANSI Z124.1 and ASTM E-162 Flame Spread Rating 200 or less and is under a program of factory inspection.

Manufactured by Front Line Mfg., Inc. Warsaw, IN



4/1/24